

F

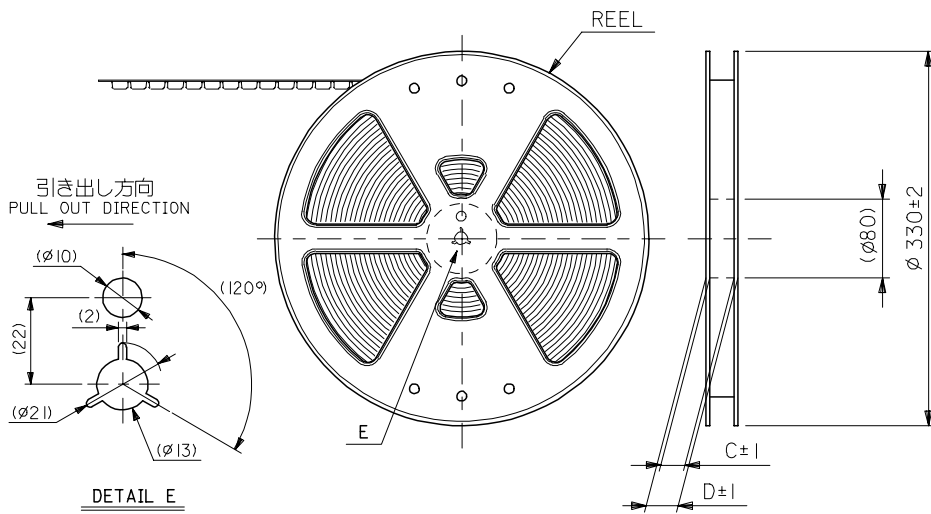
E

D

C

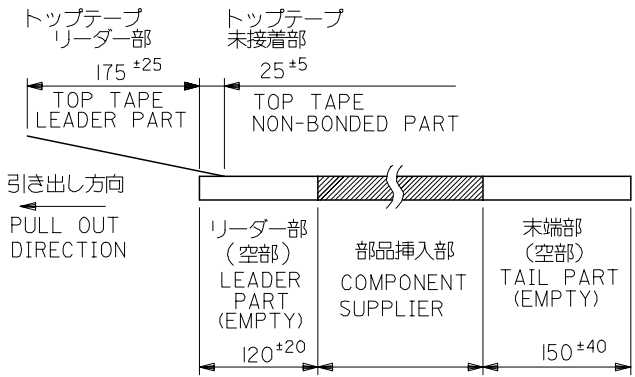
B

A



注記 NOTES

- 製品番号 52559-**-19 の梱包状態はアクチュエータがロックした状態とする。
詳細寸法については図面 SD-52559-**-19 を参照下さい。
IN THE PACKAGE,ACTUATOR OF PART NO.52559-**-19 SHOULD BE LOCKED
RE DETAILED DIMENSIONS,SEE SD-52559-**-19
- 梱包数量：1000個/リール
NUMBER OF CONNECTORS:1000PCS/REEL
- リードテープ長さ LEAD TAPE LENGTH

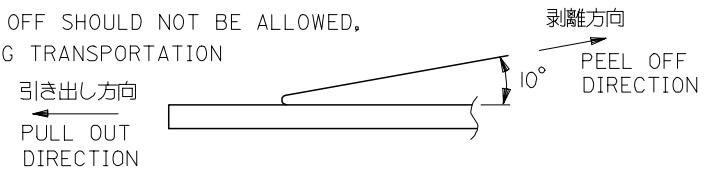


5. 材料 キャリアテープ：ポリプロピレン (PP)
 トップテープ：PET, PE, PEF
 リール：ポリスチレン (PS) <リサイクル材を含む>

MATERIAL CARRIER TAPE:POLYPROPYLENE
TOP TAPE:PET,PE,PEF
REEL:POLYSTYREN(PS)
<RECYCLE MATERIAL CONTAINED>

6. 本製品は 52559-**-90 の鉛フリー品である。
THIS PRODUCT IS LEAD FREE OF

4. トップテープの剥離角度：(剥離方向は下図参照)
0.1N~1.3N {10gf~130gf}尚、本規格値は、出荷時に適用。
(但し、輸送時に剥離が発生しない事。)
PEELING OFF FORCE OF TOP TAPE
0.1~1.3N(10gf~130gf)(PEELING DIRECTION AS SHOWN IN FOLLOWING FIG.)
THIS REQUIREMENT SHOULD BE APPLIED AT SHIPMENT
PEEL OFF SHOULD NOT BE ALLOWED,
DURING TRANSPORTATION



REVISED EC NO: J2006-3700 DRAWN: MABEI 2006/06/16 CHKD: KTOYODA 2006/06/19 APPR: NUKITA 2006/06/22	GENERAL TOLERANCES (UNLESS SPECIFIED)		DIMENSION STYLE MM ONLY	SCALE ---	52559-**-70	MODEL NO.
	10 UNDER	±0.2	DRAWN BY HSHIMABUKURO	DATE '04/01/07	DESIGN UNITS METRIC	THIRD ANGLE PROJECTION
	10 OVER 30 UNDER	±0.25	CHECKED BY KTOJO	DATE '04/01/07	0.5 FPC CONN ASSY ZIF SMT SMT EMBSTP PKG -LEAD FREE-	
	30 OVER	±0.3	APPROVED BY MSASAO	DATE '04/01/07	MOLEX INCORPORATED	
	ANGULAR ±3 °		MATERIAL NO.	DOCUMENT NO.	SHEET NO.	
	DRAFT WHERE APPLICABLE MUST REMAIN WITHIN DIMENSIONS		SIZE A3	SEE CHART	SD-52559-029	1 OF 4
			THIS DRAWING CONTAINS INFORMATION THAT IS PROPRIETARY TO MOLEX INCORPORATED AND SHOULD NOT BE USED WITHOUT WRITTEN PERMISSION			

10 9 8 7 6 5 4 3 2 1

F

E

D

C

B

A

F

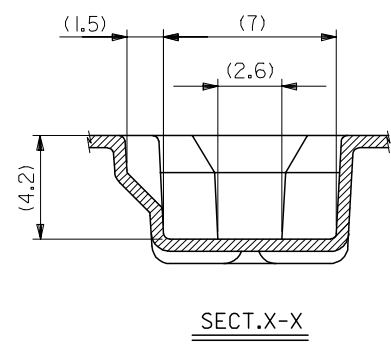
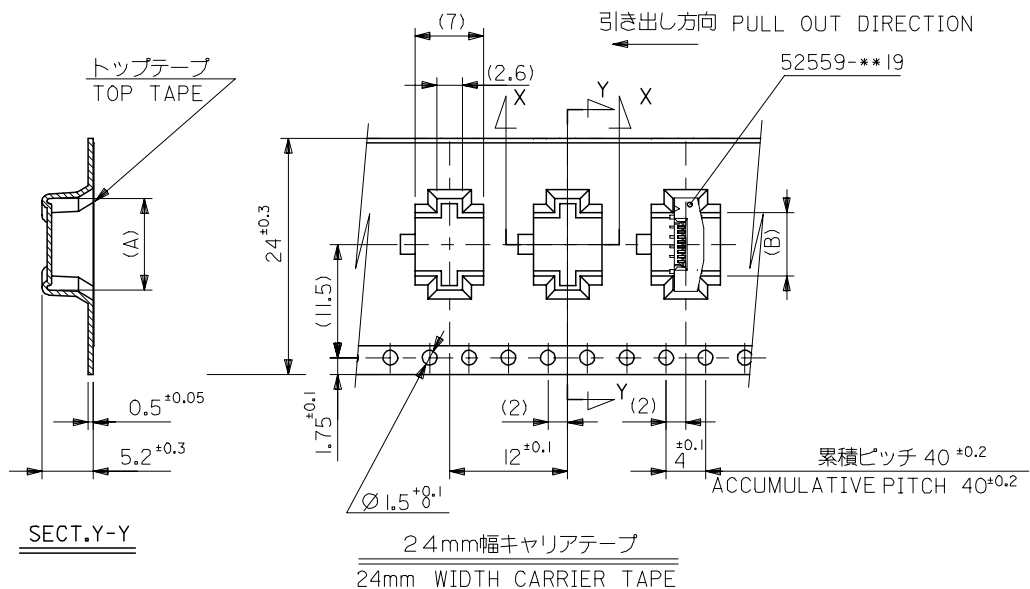
E

D

C

B

A



24	29.4	25.4	13.4	16.3	52559-2270	22		
			12.4	15.3	52559-2070	20		
			11.9	14.8	52559-1970	19		
			11.4	14.3	52559-1870	18		
			10.4	13.3	52559-1670	16		
			9.9	12.8	52559-1570	15		
			9.4	12.3	52559-1470	14		
			8.9	11.8	52559-1370	13		
			8.4	11.3	52559-1270	12		
			7.9	10.8	52559-1170	11		
6.4	9.3	52559-0870	8					
5.4	8.3	52559-0670	6					
キャリアテープ幅 CARRIER TAPE WIDTH			D	C	(B)	(A)	MATERIAL. NO.	極数 CIRCUIT

REVISED EC NO: J2006-3700 DRWN: NABEI 2006/06/16 CHKDK: TOYODA 2006/06/19 APPR: NUKITA 2006/06/22	GENERAL TOLERANCES (UNLESS SPECIFIED)		DIMENSION STYLE	SCALE	DESIGN UNITS	THIRD ANGLE PROJECTION	
	10 UNDER ± 0.2		MM ONLY	---	METRIC		
	10 OVER 30 UNDER ± 0.25					DRAWN BY DATE HSHIMABUKURO '04/01/07	
	30 OVER ± 0.3					CHECKED BY DATE KTOJO '04/01/07	
	ANGULAR ± 3 °					APPROVED BY DATE MSASAO '04/01/07	
DRAFT WHERE APPLICABLE MUST REMAIN WITHIN DIMENSIONS					TITLE 0.5 FPC CONN ASSY ZIF SMT SMT EMBSTP PKG -LEAD FREE-		
					MOLEX INCORPORATED		
					DOCUMENT NO. SD-52559-029		
					SHEET NO. 2 OF 4		
					THIS DRAWING CONTAINS INFORMATION THAT IS PROPRIETARY TO MOLEX INCORPORATED AND SHOULD NOT BE USED WITHOUT WRITTEN PERMISSION		

10 9 8 7 6 5 4 3 2 1

F

E

D

C

B

A

F

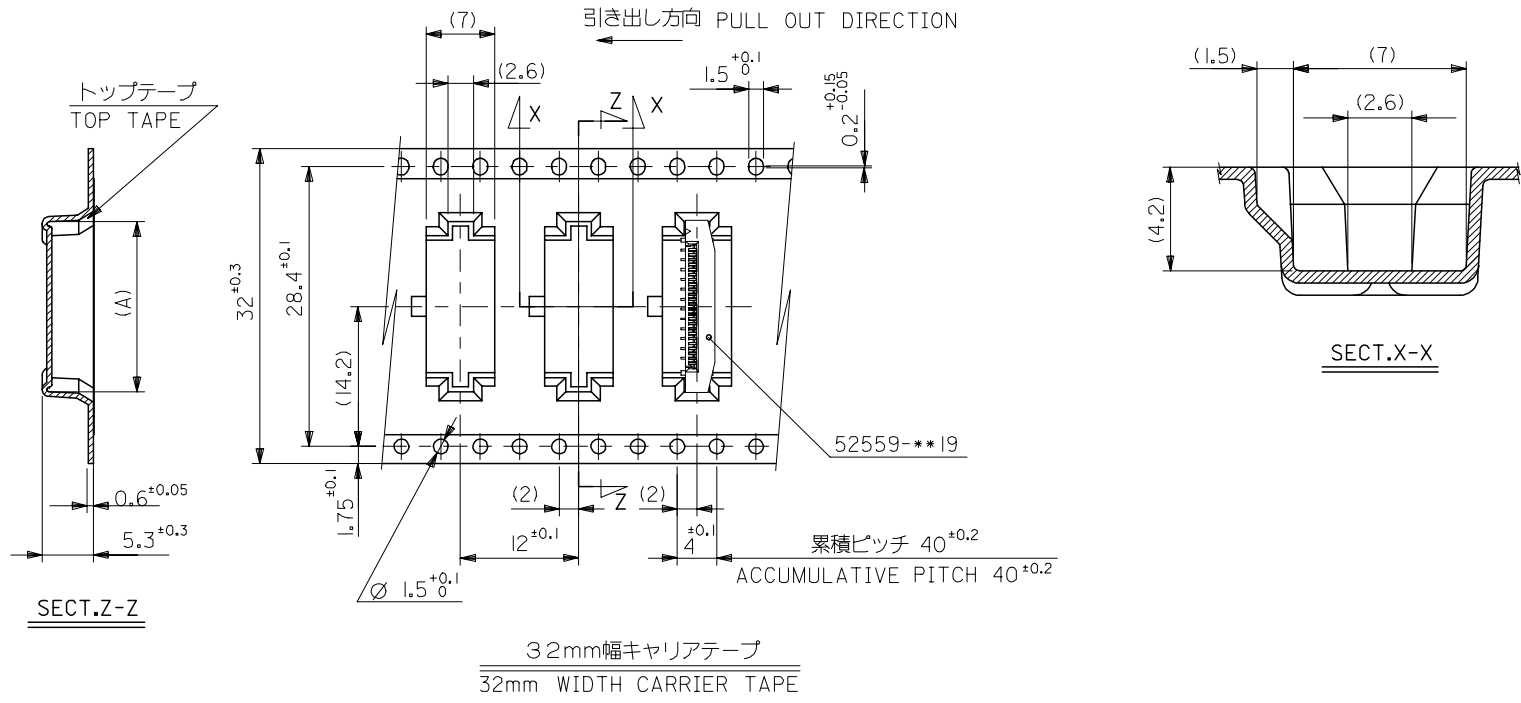
E

D

C

B

A



32	37.4	33.4	18.9	21.8	52559-3370	33
			18.4	21.3	52559-3270	32
			17.4	20.3	52559-3070	30
			16.4	19.3	52559-2870	28
			15.4	18.3	52559-2670	26
			14.9	17.8	52559-2570	25
			14.4	17.3	52559-2470	24
キャリアテープ幅 CARRIER TAPE WIDTH	D	C	(B)	(A)	MATERIAL. NO.	極数 CIRCUIT

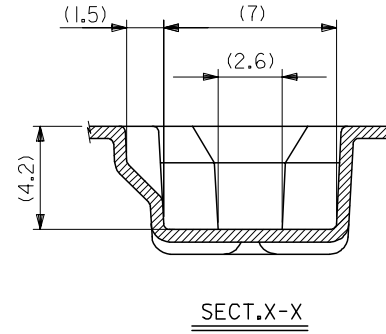
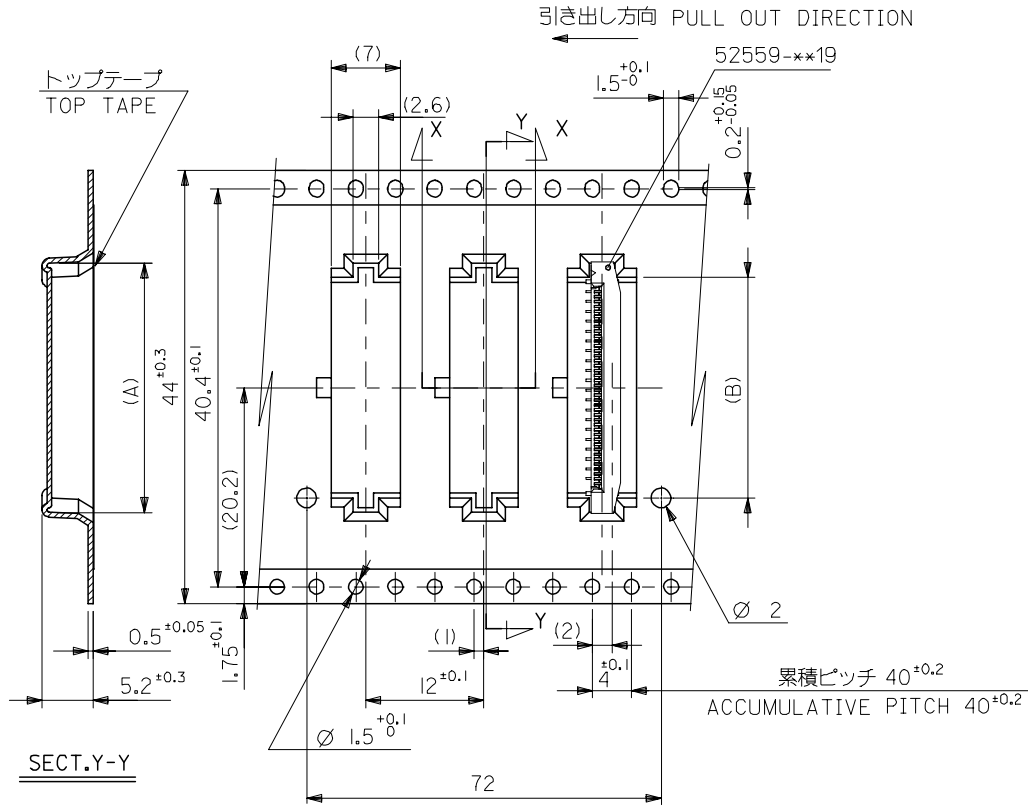
THIRD ANGLE PROJECTION

	±0.2
	±0.25
	±0.3
ANGULAR	±3 °

SEE CHART

A3

REVISED



44mm幅キャリアテープ
44mm WIDTH CARRIER TAPE

44	49.4	45.4	22.4	25.3	52559-4070	40
			20.4	23.3	52559-3670	36
キャリアテープ幅 CARRIER TAPE WIDTH	D	C	(B)	(A)	MATERIAL NO.	CIRCUIT NO.

◎ THIRD ANGLE PROJECTION

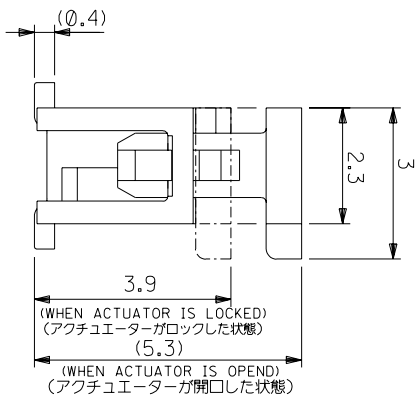
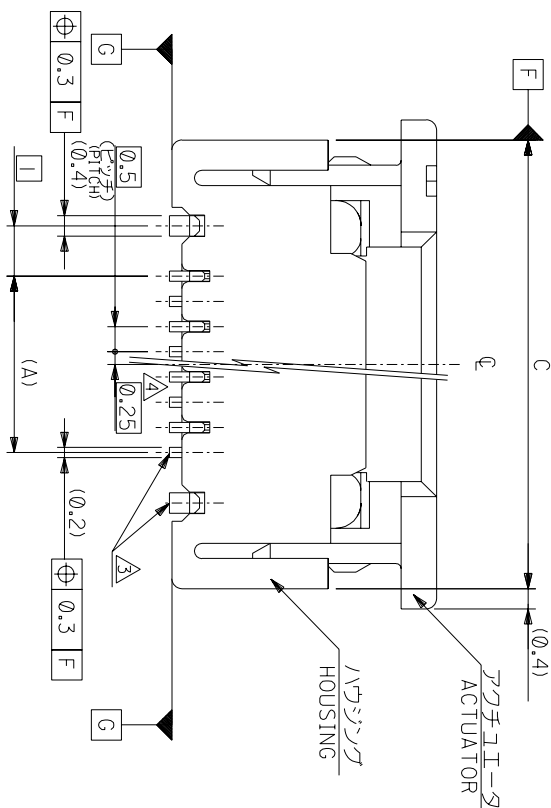
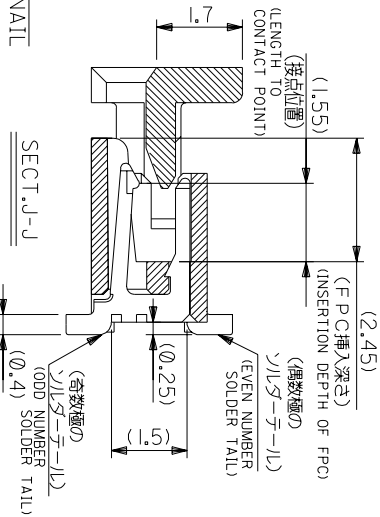
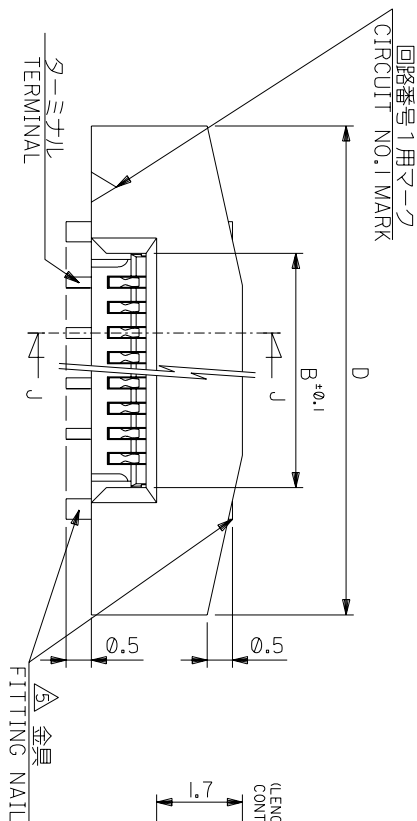
REVISED

SEE CHART

A3

A

4



注記 NOTES

1. 使用材料 : MATERIAL
 ハウジング : 46NYLON UL94V-0
 アクチュエータ : PPS UL94V-0
 ターミナル : リン青銅、銅下地半田メッキ (t=0.2)
 FITTING NAIL : PHOS-BRO-TIN-LEAD(9:1) 3~5 MICRON METER OVER COPPER 1~2.5 MICRON METER PLATED
 アクチュエータ : リン青銅、銅下地半田メッキ (t=0.4)
 FITTING NAIL : PHOS-BRO-TIN-LEAD(9:1) 3~5 MICRON METER OVER COPPER 1~2.5 MICRON METER PLATED
2. エンボスター機構時は、アクチュエータがロックした状態とする。
 IN THE PACKAGE, ACTUATOR OF PART NO.52559-017 SHOULD BE LOCKED. に対し上方向 0.05 MAX.、下方向 0.15 MAX.とする。
 MISALIGNMENT OF SOLDER TAILS AND FITTING NAILS FROM UPPER DIRECTION: 0.05 MAX.、LOWER DIRECTION: 0.15 MAX.
 APPLY FOR EVEN CIRCUIT.
 △/▽マークはくり止め用金具。
 FITTING NAIL FOR PREVENTION OF PEELING OF P.C.B. PATTERN.
 △ R.O. 3rd. FPCの本体部に付かないこと。
 R.O.3 MUST NOT BE OVERLAPPED TO PATTERN OF FPC.

REDRAWN
 J2003-2624
 K.TOJO 03/04/17
 H. Sasaki 03/04/17
 H. Sasaki 03/04/17

注記参照
 SEE NOTES

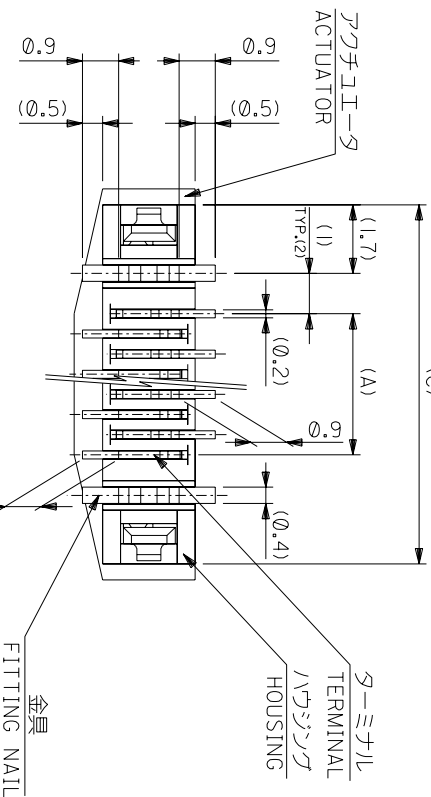
— K.TOJO 03/04/17

— H. Sasaki 03/04/17

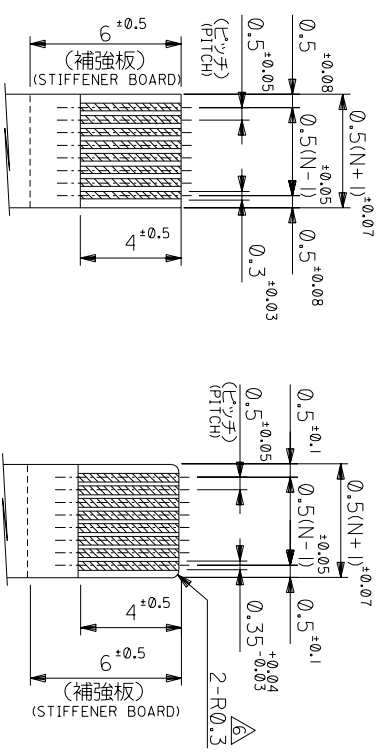
— H. Sasaki 03/04/17

0.5 FPC Conn. Assy ZIF.

SD-52559-044.S01 52559-017 SD-52559-044

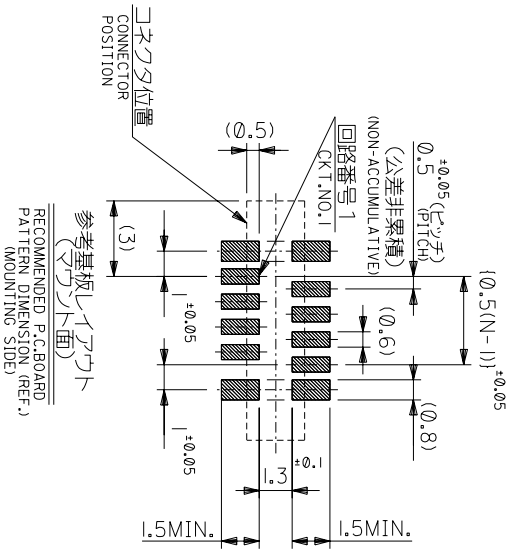


下面図
BOTTOM VIEW



適合 FFC 推奨寸法
APPLICABLE FFC
RECOMMENDED DIMENSION.
(仕上がり)厚さ: 0.3 ± 0.05
(THICKNESS: 0.3 ± 0.05)

適合 FPC 推奨寸法
APPLICABLE FPC
RECOMMENDED DIMENSION.
(仕上がり)厚さ: 0.3 ± 0.05
(THICKNESS: 0.3 ± 0.05)



25.7	24.9	20.65	19.5	52559-40	17	40
25.2	24.4	20.15	19.0			39
24.7	23.9	19.65	18.5			38
24.2	23.4	19.15	18.0			37
23.7	22.9	18.65	17.5			36
23.2	22.4	18.15	17.0			35
22.7	21.9	17.65	16.5			34
22.2	21.4	17.15	16.0			33
21.7	20.9	16.65	15.5			32
21.2	20.4	16.15	15.0			31
20.7	19.9	15.65	14.5			30
20.2	19.4	15.15	14.0			29
19.7	18.9	14.65	13.5			28
19.2	18.4	14.15	13.0			27
18.7	17.9	13.65	12.5			26
18.2	17.4	13.15	12.0			25
17.7	16.9	12.65	11.5			24
17.2	16.4	12.15	11.0			23
16.7	15.9	11.65	10.5			22
16.2	15.4	11.15	10.0			21
15.7	14.9	10.65	9.5			20
15.2	14.4	10.15	9.0			19
14.7	13.9	9.65	8.5			18
14.2	13.4	9.15	8.0			17
13.7	12.9	8.65	7.5			16
13.2	12.4	8.15	7.0			15
12.7	11.9	7.65	6.5			14
12.2	11.4	7.15	6.0			13
11.7	10.9	6.65	5.5			12
11.2	10.4	6.15	5.0			11
10.7	9.9	5.65	4.5			10
10.2	9.4	5.15	4.0			9
9.7	8.9	4.65	3.5			8
9.2	8.4	4.15	3.0			7
8.7	7.9	3.65	2.5			6
D	C	B	(A)	MATERIAL NO.	数量	

DO NOT SCALE DRAWING

8
E80NO. DRWN: CH'K: APPR:
E89NO. DRWN: CH'K: APPR:
E88NO. DRWN: CH'K: APPR:
E87NO. DRWN: CH'K: APPR:
E86NO. J2003-2624 DRWN: K.TOJO 03/04/17
CH'K: H. Sadae 03/04/17
APPR: H. Sadae 03/04/17
REV DESCRIPTION

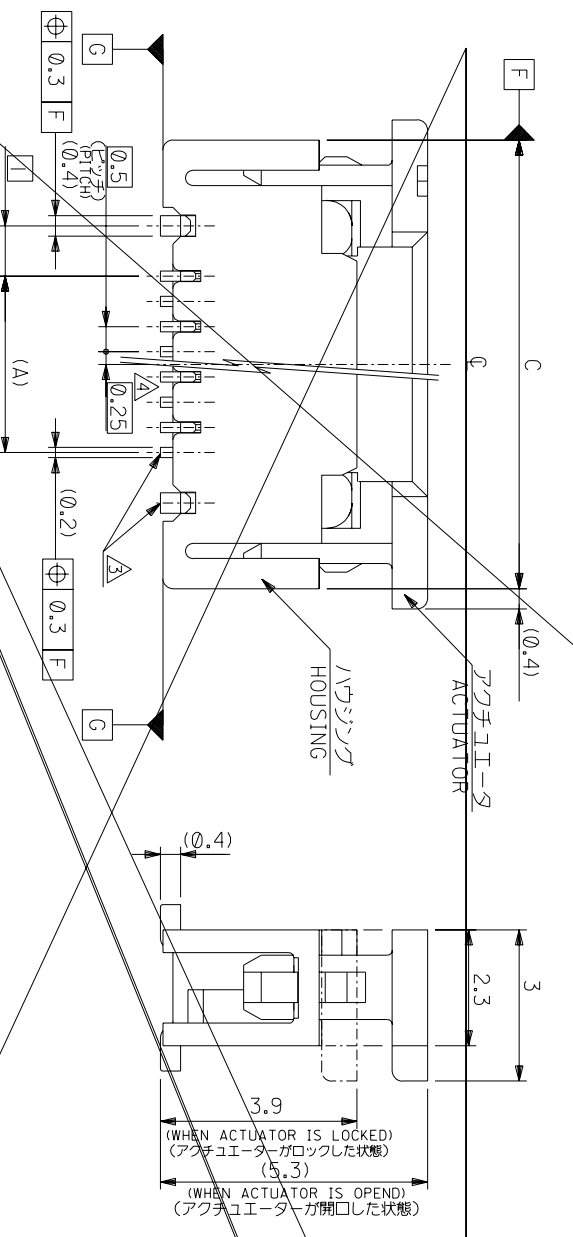
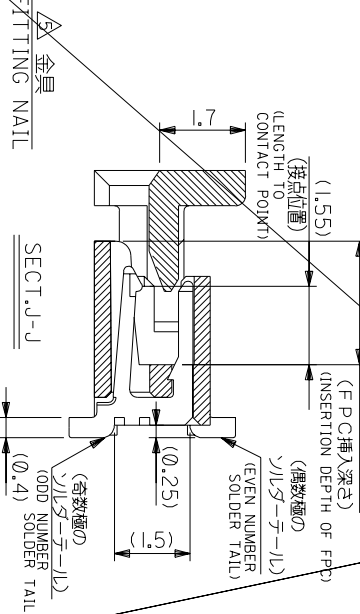
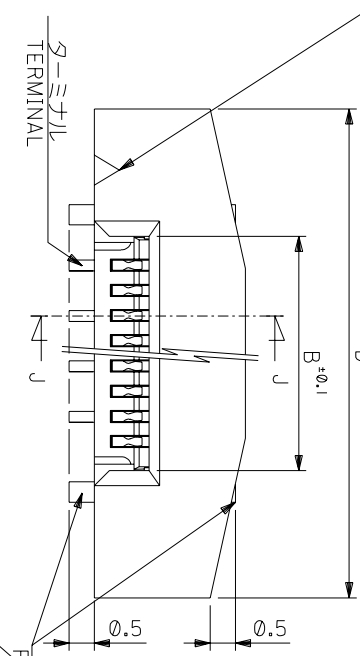
REDRAW
E86NO. J2003-2624
DRWN: K.TOJO 03/04/17
CH'K: H. Sadae 03/04/17
APPR: H. Sadae 03/04/17
REV DESCRIPTION
MATERIAL 材料
注記参照 SEE NOTES
FINISH 仕上り
WIRE RANGE 適用電線範囲
INS. RANGE 被覆外径

GENERAL TOLERANCES: (UNLESS SPECIFIED)
10 UNDER 未下
30 OVER 30 未満
30 OVER 30 以上
ANGLE 角度
±0.2
±0.25
±0.3
±3°

SCALE DESIGN UNITS
DRAWN BY & DATE K.TOJO 03/04/17
CHECKED BY & DATE H. Sadae 03/04/17
APPROVED BY & DATE H. Sadae 03/04/17
CAD FILENAME SD-52559-044.S02
TITLE: 0.5 FPC Conn. Assy ZIF.

MATERIAL NO. 52559-***17 DRAWING NO. SD-52559-044
SHEET NO. 2 OF 2
SIZE B
INCORPORATED AND SHOULD NOT BE USED WITHOUT WRITTEN PERMISSION.
EN-02J(097) MXJ-54

回路番号1用マーク
CIRCUIT NO.1 MARK



注記 NOTES

- 使用材料 : MATERIAL
ハウジング : 46NVLON UL94V-0
アクチュエータ : PPS UL94V-0
ターミナル : リン青銅 (t=0.2)
PHOS-BRO
ニッケル下地 1.0マイクロメートル以上
TIN-BISMUTH 1.0 MICROMETER MINIMUM
ニッケル下地 1.0マイクロメートル以上
NICKEL(Under PLATING) 1.0 MICROMETER MINIMUM
リン青銅 (t=0.4)
PHOS-BRO
金具 : 鍍メッキ 1.0マイクロメートル以上
FITTING NAIL : 鍍メッキ 1.0 MICROMETER MINIMUM
ニッケル下地 1.0マイクロメートル以上
NICKEL(Under PLATING) 1.0 MICROMETER MINIMUM

- インボクスター梱包時は、アクチュエータがロックした状態とする。
IN THE PACKAGE ACTUATOR OF PART NO.52559-***19 SHOULD BE LOCKED.
- ソルダータール半田付面の丸量、及び金具半田付面の丸量決 基準面 [5] に対し方向 0.05 MAX. , 下方向 0.15 MAX. とする。
MISALIGNMENT OF SOLDER TAILS AND FITTING NAILS FROM [5] UPPER DIRECTION: 0.05 MAX. , LOWER DIRECTION: 0.15 MAX.
- 偶数種に適用。
APPLY FOR EVEN CIRCUIT.
- フィッティングネイルは、剥離防止の目的で、P.C.B. PATTERN.
FITTING NAIL FOR PREVENTION OF PEELING OF P.C.B. PATTERN.
- ROHS 3rd P.C.C. 適合品であることを示す。
ROHS MUST NOT BE OVERLAPPED TO PATTERN OF P.C.C.

1. 本製品は、52559-***17 の鉛フリー品である。
THIS PRODUCT IS LEAD FREE OF 52559-***17

REVISED
J2004-3551
H.KAWABATA '04/04/05
K.TOJO '04/04/05
H. Saito '04/04/05
RELEASED
J2004-1818
H.SHIMABUKURO '04/01/07
K.TOJO '04/01/07
H. Saito '04/01/07

SEE NOTES
注記参照

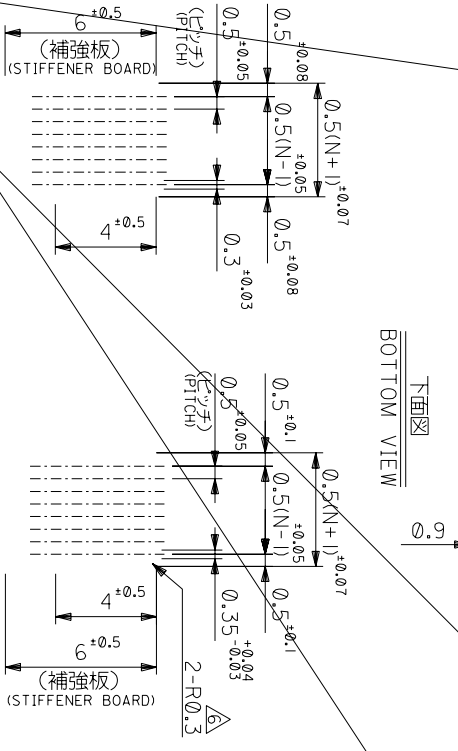
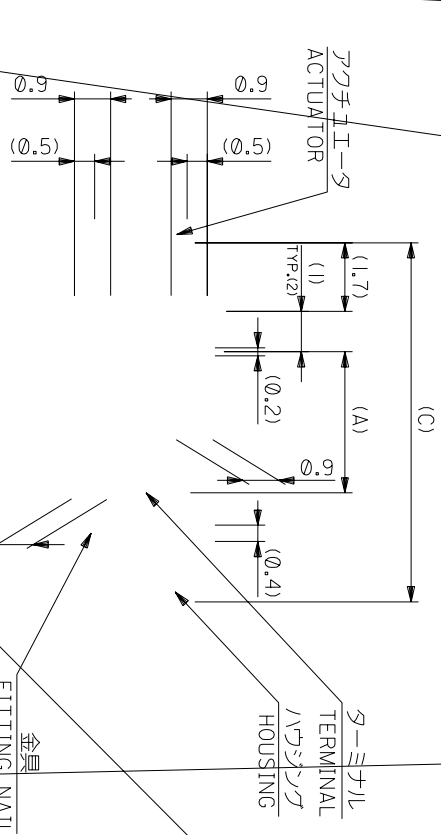
GENERAL TOLERANCES:
(UNLESS SPECIFIED)

SCALE DESIGN UNITS
DRAWN BY & DATE
H.SHIMABUKURO '04/01/07
CHECKED BY & DATE
K.TOJO '04/01/07
APPROVED BY & DATE
H. Saito '04/01/07

TITLE:
0.5 FPC Conn. Assy ZIF.
LEAD FREE-

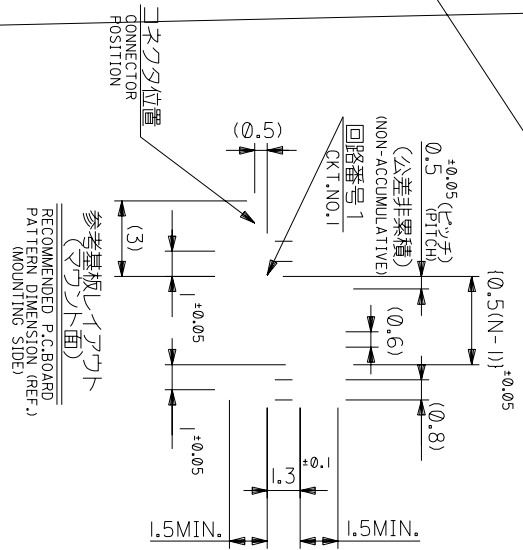
MODEL NO. 52559-***19
DIMENSIONS: SHT REV
BEZISE ON CAD ONLY

CAD FILENAME SD-52559-045.S01
MATERIAL NO. DRAWING NO. SD-52559-045
SHEET NO. 1 OF 2
SIZE
THIS DRAWING CONTAINS INFORMATION THAT IS PROPRIETARY TO MOLEX INCORPORATED AND SHOULD NOT BE USED WITHOUT WRITTEN PERMISSION.



適合FPC推奨寸法
 APPLICABLE FPC
 RECOMMENDED DIMENSION.
 (仕上がり)厚さ: 0.3 ± 0.05
 (THICKNESS: 0.3 ± 0.05)

適合FPC推奨寸法
 APPLICABLE FPC
 RECOMMENDED DIMENSION.
 (仕上がり)厚さ: 0.3 ± 0.05
 (THICKNESS: 0.3 ± 0.05)



23.7	22.9	18.65	17.5			36
22.2	21.4	17.15	16.0			33
21.7	20.9	16.65	15.5			32
21.2	20.4	16.15	15.0			31
20.7	19.9	15.65	14.5			30
20.2	19.4	15.15	14.0			29
19.7	18.9	14.65	13.5			28
19.2	18.4	14.15	13.0			27
18.7	17.9	13.65	12.5			26
18.2	17.4	13.15	12.0			25
17.7	16.9	12.65	11.5			24
17.2	16.4	12.15	11.0			23
16.7	15.9	11.65	10.5			22
16.2	15.4	11.15	10.0			21
15.7	14.9	10.65	9.5			20
15.2	14.4	10.15	9.0			19
14.7	13.9	9.65	8.5			18
14.2	13.4	9.15	8.0			17
13.7	12.9	8.65	7.5			16
13.2	12.4	8.15	7.0			15
12.7	11.9	7.65	6.5			14
12.2	11.4	7.15	6.0			13
11.7	10.9	6.65	5.5			12
11.2	10.4	6.15	5.0			11
10.7	9.9	5.65	4.5			10
10.2	9.4	5.15	4.0			9
8.7	7.9	3.65	2.5			6
D	C	B	(A)			極数

RELEASED

SEE C1