

# Technical Information

No. FO 4813

Edition: 02/02 - subject to change

Supersedes: Initial Release 09/01

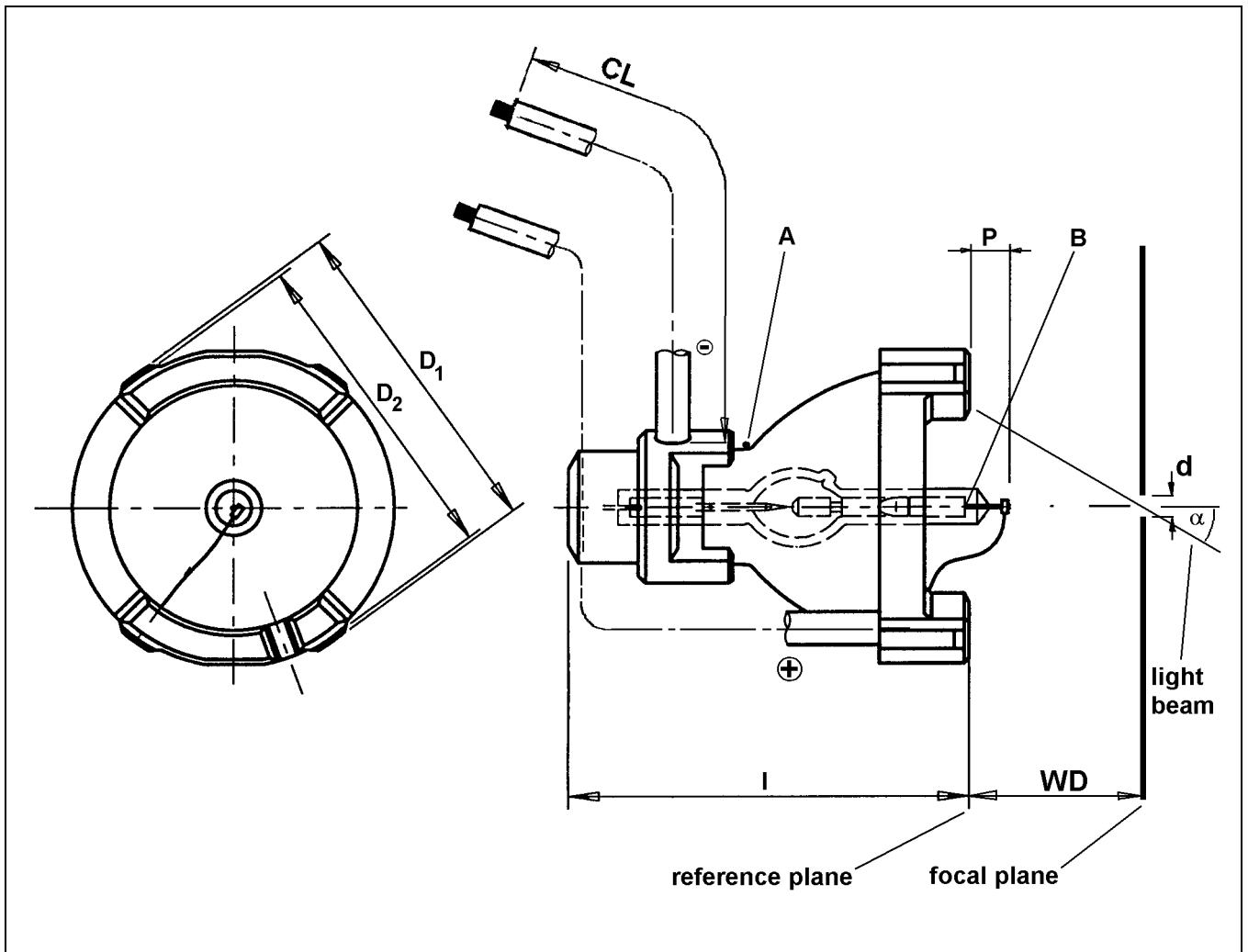
Status: valid

# Xenon Short Arc Reflector Lamp

## XBO<sup>®</sup> R 101 W/45C OFR

### ■ Product description

- Xenon discharge lamp for DC operation
- Short arc, high pressure
- Focusing reflector
- Dichroic coating for suppressed IR-output
- For light guides with up to 8 mm diameter
- Cable connection terminated with bare wires
- Ozone-free
- Hot re-strikeable



### ■ Technical data

Rated lamp current	A	7.2
Rated lamp wattage	W	100
Initial voltage range	V	12 - 14
Ignition voltage (cold/hot)	kV	max. 20 / max. 20
Colour temperature	K	approx. 6000
Colour rendering index	R <sub>a</sub>	> 90

## Technical Information

No. FO 4813

Edition: 02/02 - subject to change

Supersedes: Initial Release 09/01

Status: valid

## Xenon Short Arc Reflector Lamp

# XBO<sup>®</sup> R 101 W/45C OFR

Beam-to-axis angle $\alpha$	deg	max. 22.4
Length l	mm	max. 77
Length p	mm	max. 6
Reflector diameter $D_1$	mm	max. $\varnothing$ 67.0
Diameter $D_2$	mm	$\varnothing$ 64.0 <sub>-0,3</sub>
Cable length CL	mm	min. 200, each cable
Electrical connectors		Blank nickel-plated copper wires, snaked, total cross-section 6.2 mm <sup>2</sup>

### ■ Performance data at rated current

Working distance WD	mm	45
Initial aperture lumens	lm	• min. 300 at $d = \varnothing$ 3 mm • min. 400 at $d = \varnothing$ 5 mm
Declared service life <sup>1)</sup>	h	500

### ■ Mounting

Mounting		rim mounting; for details see Technical Information No. FO 4913
----------	--	---

### ■ Operation conditions

Burning position		horizontal $\pm$ 20° (p 20)
Temperature at point A	°C	max. 250 allowed; 175 - 200 optimum
Temperature at point B	°C	max. 350 allowed; 200 - 250 optimum
Cooling		Forced cooling required; distribution and velocity of air flow to be chosen in such a way as to ensure proper temperatures at points A and B
Current operation range	A	min. 7.0, max. 7.4
Power operation range	W	min. 85, max. 115
Polarity		proper polarity to be observed

XBO<sup>®</sup> R 101 W/45C OFR can be operated either on a standard ballast or on an electronic power supply.

### ■ Additional documentation

- Guidelines for Mounting and Centering of Reflector Discharge Lamps (1); Technical Information No. FO 4913
- Guidelines for Power Supplies and Ignitors for Xenon Short Arc Lamps Photo Optics No. FO GL-4
- Cooling Scheme; Technical Information No. FO 4935

<sup>1)</sup> Operation time after which aperture lumens can decrease to 50% of initial value. Switching cycle 1 hour on, 1 hour off