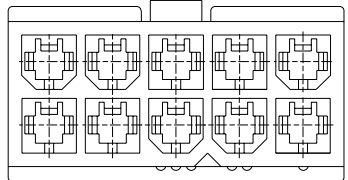
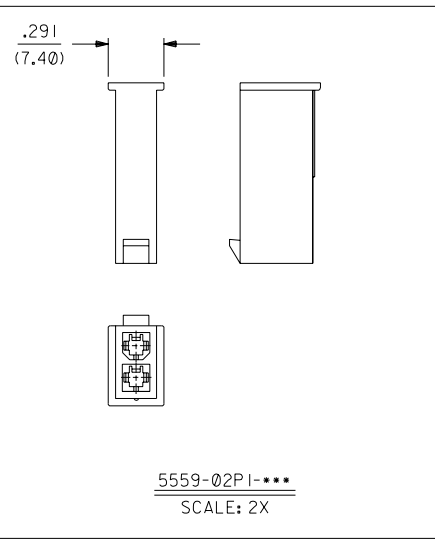
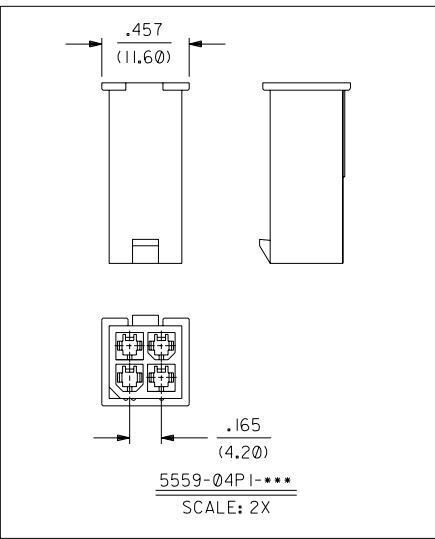
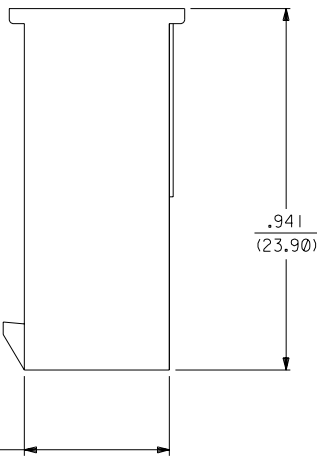
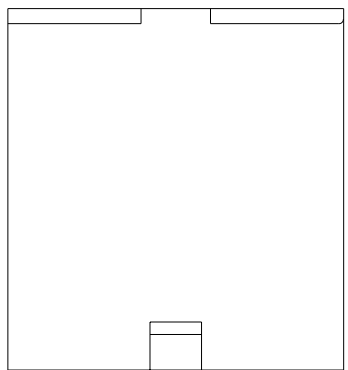


CKT. SIZE	DIM. A	DIM. B
6	.331 (8.40)	.543 (13.80)
8	.496 (12.60)	.709 (18.00)
10	.661 (16.80)	.874 (22.20)
12	.827 (21.00)	1.039 (26.40)
14	.992 (25.20)	1.205 (30.60)
16	1.157 (29.40)	1.370 (34.80)
18	1.323 (33.60)	1.535 (39.00)
20	1.488 (37.80)	1.701 (43.20)
22	1.654 (42.00)	1.866 (47.40)
24	1.819 (46.20)	2.031 (51.60)



- NOTES:**
- MATERIAL; BLANK=NYLON 6/6, UL 94V-2, COLOR: NATURAL.  
210=NYLON 6/6, UL 94V-0, COLOR: NATURAL.  
220=NYLON 6/6, UL 94V-2, U. V. STABILIZED, COLOR: BLACK.
  - THIS PART MATES WITH RECEPTACLE #5557.
  - PART IS DESIGNED IN METRIC.
  - THIS PART IS FOR USE WITH MOLEX MALE TERMINAL #5558-.\*.
  - PRODUCT SPECIFICATION; PS-5556-001

LTR.	REVISIONS	LTR.	REVISIONS
		C1	REV. '220' MAT'L. 94V-2 WAS 94V-0 ECN U11607 GEP 7-30-91 RJF
D	REV PS NOTE UCP2003-0396 9/2/2002 SAMIEC	C	REMOVED 'NO P.S.' ADDED NOTE 5 ECN U11273 GEP 7-26-91 RJF
C2	ADDED VIEWS FOR 2 AND 4-CIRCUIT ECR U20221 2-12-92 RJF	B	REDRAWN AND ADDED -220 MAT'L. PER ECR U91052 10-27-89 RF

DIMENSIONS SHOWN (METRIC) INCH	
3 PLACE ± .015	---
2 PLACE ± ---	± 0.38
1 PLACE ---	± ---

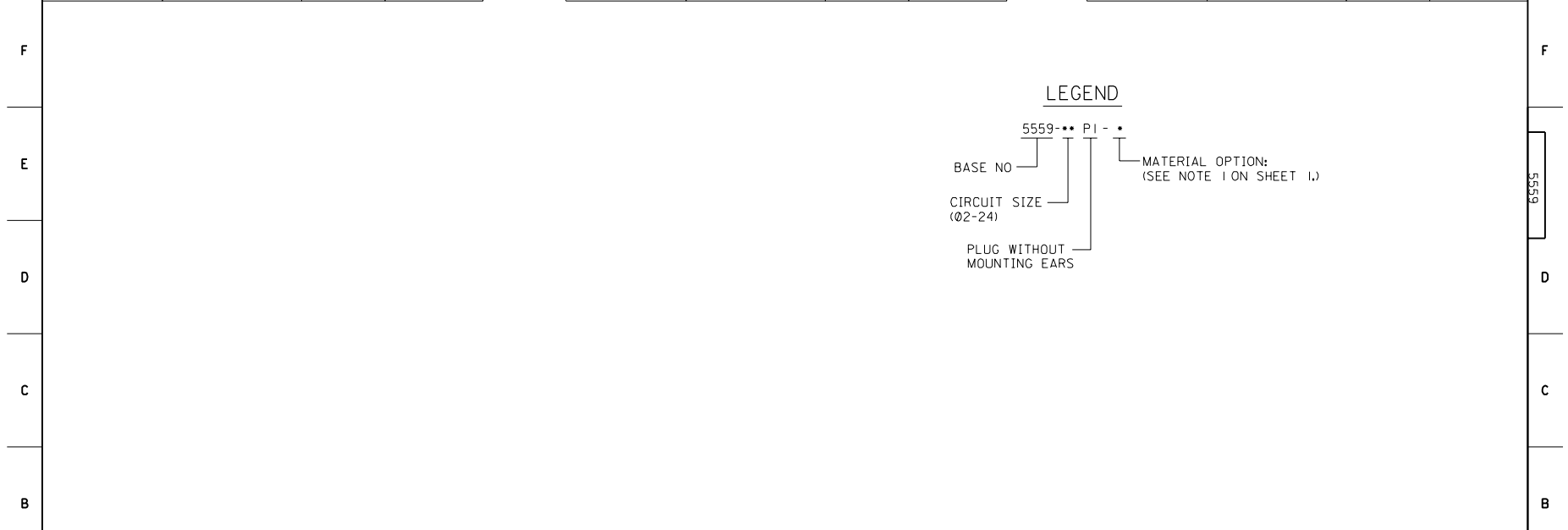
DIMENSIONS SHOWN (METRIC) INCH  
 UNLESS OTHERWISE SPECIFIED TOLERANCES: ANGULAR ± 1/2°  
 DRAFT WHERE APPLICABLE MUST REMAIN WITHIN DIMENSIONS  
 DRWG. BY: RJF CHK'D. BY: BAP  
 APP'D. BY: RAS SCALE: 4: 1  
 TITLE: MINI-FIT JR SERIES PLUG W/O MTC. EARS  
 MOLEX INCORPORATED SHEET NO. DATE  
 LISLE, ILL. 60532 U.S.A. 1 OF 2 9/22/89  
 PART NO. SD-5559-NP1\*  
 SEE CHART DIV. CP C  
 THIS DRAWING CONTAINS INFORMATION THAT IS PROPRIETARY TO MOLEX INC. AND SHOULD NOT BE USED WITHOUT WRITTEN PERMISSION.

2	C1
1	D
	MFG. SH. REV.

	13	12	11	10	9	8	7	6	5559	4	3	2	1	
	PART NUMBER	ENG. NUMBER	CIRCUIT SIZE	MATERIAL		PART NUMBER	ENG. NUMBER	CIRCUIT SIZE	MATERIAL		PART NUMBER	ENG. NUMBER	CIRCUIT SIZE	MATERIAL
J	39-01-3023	5559-02P1	2	94V-2		39-01-3029	5559-02P1-210	2	94V-0		15-04-6020	5559-02P1-220	2	94V-2, U.V. STABILIZED
	39-01-3043	5559-04P1	4	94V-2		39-01-3049	5559-04P1-210	4	94V-0		NO E.D.P.	5559-04P1-220	4	94V-2, U.V. STABILIZED
	39-01-3063	5559-06P1	6	94V-2		39-01-3069	5559-06P1-210	6	94V-0		NO E.D.P.	5559-06P1-220	6	94V-2, U.V. STABILIZED
I	39-01-3083	5559-08P1	8	94V-2		39-01-3089	5559-08P1-210	8	94V-0		NO E.D.P.	5559-08P1-220	8	94V-2, U.V. STABILIZED
	39-01-3103	5559-10P1	10	94V-2		39-01-3109	5559-10P1-210	10	94V-0		NO E.D.P.	5559-10P1-220	10	94V-2, U.V. STABILIZED
	39-01-3123	5559-12P1	12	94V-2		39-01-3129	5559-12P1-210	12	94V-0		NO E.D.P.	5559-12P1-220	12	94V-2, U.V. STABILIZED
H	39-01-3143	5559-14P1	14	94V-2		39-01-3149	5559-14P1-210	14	94V-0		NO E.D.P.	5559-14P1-220	14	94V-2, U.V. STABILIZED
	39-01-3163	5559-16P1	16	94V-2		39-01-3169	5559-16P1-210	16	94V-0		NO E.D.P.	5559-16P1-220	16	94V-2, U.V. STABILIZED
	39-01-3183	5559-18P1	18	94V-2		39-01-3189	5559-18P1-210	18	94V-0		NO E.D.P.	5559-18P1-220	18	94V-2, U.V. STABILIZED
G	39-01-3203	5559-20P1	20	94V-2		39-01-3209	5559-20P1-210	20	94V-0		NO E.D.P.	5559-20P1-220	20	94V-2, U.V. STABILIZED
	39-01-3223	5559-22P1	22	94V-2		39-01-3229	5559-22P1-210	22	94V-0		NO E.D.P.	5559-22P1-220	22	94V-2, U.V. STABILIZED
	39-01-3243	5559-24P1	24	94V-2		39-01-3249	5559-24P1-210	24	94V-0		NO E.D.P.	5559-24P1-220	24	94V-2, U.V. STABILIZED

LEGEND

5559-\*\* P1 - \*  
 BASE NO ———  
 CIRCUIT SIZE (02-24) ———  
 PLUG WITHOUT MOUNTING EARS ———  
 MATERIAL OPTION: (SEE NOTE 1 ON SHEET 1.)



DIMENSIONS SHOWN (METRIC) INCH UNLESS OTHERWISE SPECIFIED TOLERANCES ANGULAR ± 1/2°										▽ = 0   ▽ = 0   REVISE ONLY ON CAD SYSTEM	
INCH   METRIC										TITLE MINI-FIT JR SERIES PLUG W/O MTG. EARS	
3 PLACE ± .010   ---										MOLEX INCORPORATED   SHEET NO. 2   DATE 9/22/89	
2 PLACE ± .015   ± 0.25										PART NO.   SD-5559-NP1	
1 PLACE ---   ± 0.38										DRAWING NO.   SEE CHART	
DRAFT WHERE APPLICABLE MUST REMAIN WITHIN DIMENSIONS										FILE NAME   SD5559X2   THIS DRAWING CONTAINS INFORMATION THAT IS PROPRIETARY TO MOLEX INC. AND SHOULD NOT BE USED WITHOUT WRITTEN PERMISSION	
DRWG. BY: RJF   CHK'D. BY: BAP										SCALE   CP   C	
APP'D. BY: RAS											
LTR.   REVISIONS					LTR.   REVISIONS						

	13	12	11	10	9	8	7	6	5	4	3	2	1	
--	----	----	----	----	---	---	---	---	---	---	---	---	---	--