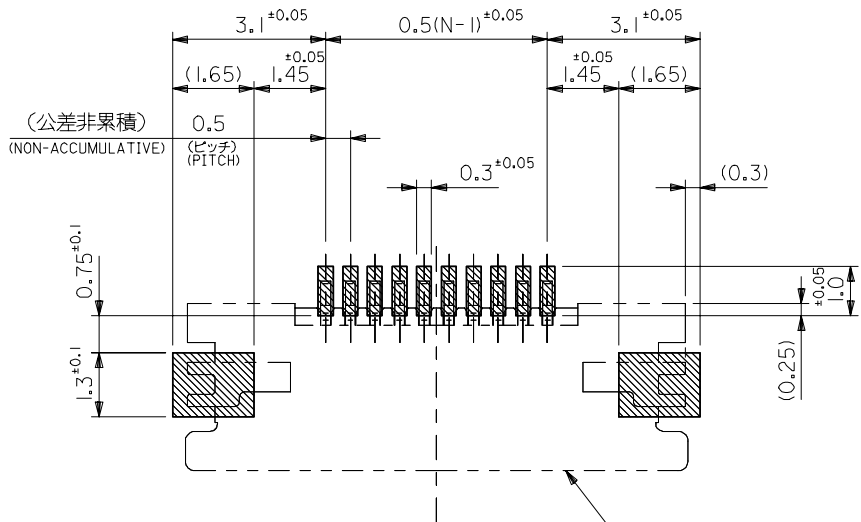
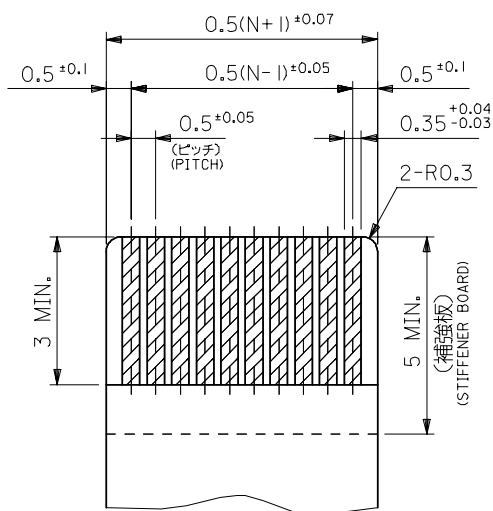


54550-26 19
54550-25 19
54550-24 19
54550-22 19
54550-21 19
54550-20 19
54550-19 19
54550-18 19
54550-17 19
54550-16 19
54550-15 19
54550-14 19
54550-13 19
54550-12 19
54550-11 19
54550-10 19
54550-09 19
54550-08 19
54550-07 19
54550-06 19
54550-05 19

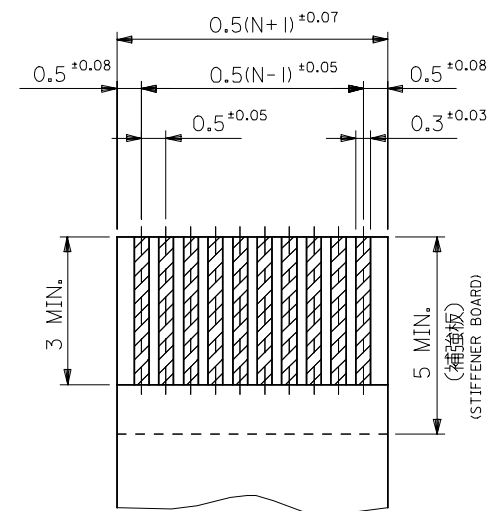


参考基板レイアウト
RECOMMENDED P.C.B. BOARD
PATTERN DIMENSION (REF.)
(マウント面)
(MOUNTING SIDE)

コネクタ位置
CONNECTOR POSITION



適合FPC推奨寸法
APPLICABLE FPC
RECOMMENDED DIMENSION
(仕上がり厚さ:表参照)
(THICKNESS:SEE CHART)



適合FFC推奨寸法
APPLICABLE FFC
RECOMMENDED DIMENSION
(仕上がり厚さ:表参照)
(THICKNESS:SEE CHART)

注記 NOTES

1. 使用材料 MATERIAL

- ハウジング HOUSING : LCP, UL94V-0
- アクチュエータ ACTUATOR : PPS, UL94V-0
- ターミナル TERMINAL : リン青銅 (t=0.2)、ニッケル下地銅スズメッキ PHOS-BRO.TIN-BISMUTH OVER NICKEL PLATED
- 金具 FITTING NAIL : リン青銅 (t=0.2)、ニッケル下地銅スズメッキ PHOS-BRO.TIN OVER NICKEL PLATED

2. エンボステープ梱包時は、アクチュエータがロックした状態とする。
IN THE PACKAGE,ACTUATOR OF PART NO.54550-***17 SHOULD BE LOCKED.

- △ ソルダータール半田付け面のズレ量、及び金具半田付け面のズレ量は、基準面 Z に対し上方向 0MAX.、下方向 0.15MAX.とし、相互のバラッキ量は0.1MAX.とする。
MISALIGNMENT OF SOLDER TAILS AND FITTING NAILS FROM Z UPPER DIRECTION:0 MAX. , LOWER DIRECTION:0.15 MAX. OFFSET BETWEEN UPPER AND LOWER 0.1MAX.

- △ 偶数極に適用。
APPLY FOR EVEN CIRCUIT.
- △ パターンはくり止め用金具
FITTING NAIL FOR PREVENTION OF PEELING OF P.C.B. PATTERN.

2. 本製品は 54550-***17 の鉛フリー品である。
THIS PRODUCT IS LEAD FREE OF 54550-***17.

FPC/FFCについて:

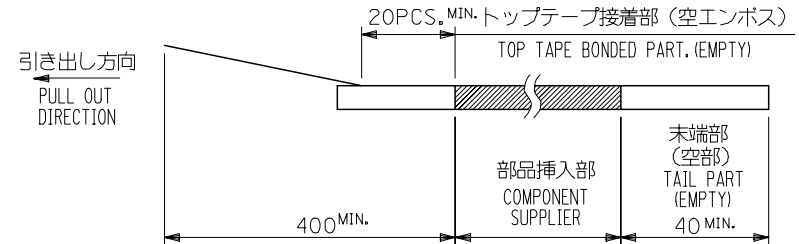
打抜き方向は導体側から補強板側を推奨いたします。
導体部については軟銅箔35マイクロメートルまたは50マイクロメートルを推奨いたします。

RECOMMENDED PUNCHER DIRECTION : FROM CONDUCTOR SIDE TO STIFFENER BOARD SIDE.
RECOMMENDED CONDUCTOR SPEC:
THICKNESS OF SOFT COPPER FOIL : 35 MICROMETER or 50 MICROMETER

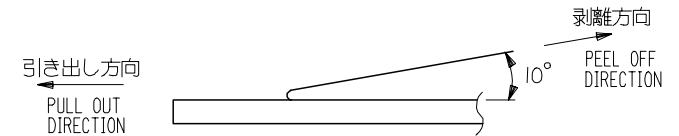
REVISED		EC NO: J2005-1954		2005/01/13		2005/01/14		2005/01/18		GENERAL TOLERANCES (UNLESS SPECIFIED)		DIMENSION STYLE		SCALE		DESIGN UNITS		THIRD ANGLE PROJECTION	
DRAWN:MNABEI		CHKD:K.TOJO		APPR:NUKITA		10 UNDER		±0.2		MM ONLY		---		METRIC		◎ □			
M.NINOMIYA		K.TOJO		M.SASAO		10 OVER 30 UNDER		±0.25		DRAWN BY DATE		M. NINOMIYA '03/12/22		TITLE		0.5 FPC CONN ZIF HOUSING			
M.SASAO		M.SASAO		MATERIAL NO.		30 OVER		±0.3		CHECKED BY DATE		K. TOJO '03/12/22		MOLEX INCORPORATED		ASSY SMT RA UPPER CONT			
SEE CHART		SEE CHART		DOCUMENT NO.		ANGULAR ±3 °		DRAFT WHERE APPLICABLE MUST REMAIN WITHIN DIMENSIONS		APPROVED BY DATE		M. SASAO '03/12/22		SD-54550-019		-LEAD FREE-		SHEET NO. 2 OF 2	
SIZE A3		THIS DRAWING CONTAINS INFORMATION THAT IS PROPRIETARY TO MOLEX INCORPORATED AND SHOULD NOT BE USED WITHOUT WRITTEN PERMISSION																	

NOTES

- 製品詳細寸法については図面 54550-**19 を参照下さい。
RE DETAILED DIMENSION, SEE 54550-**19
- 梱包数量：3000個/リール
NUMBER OF CONNECTORS : 3000PCS/REEL
- リードテープ長さ LEAD TAPE LENGTH

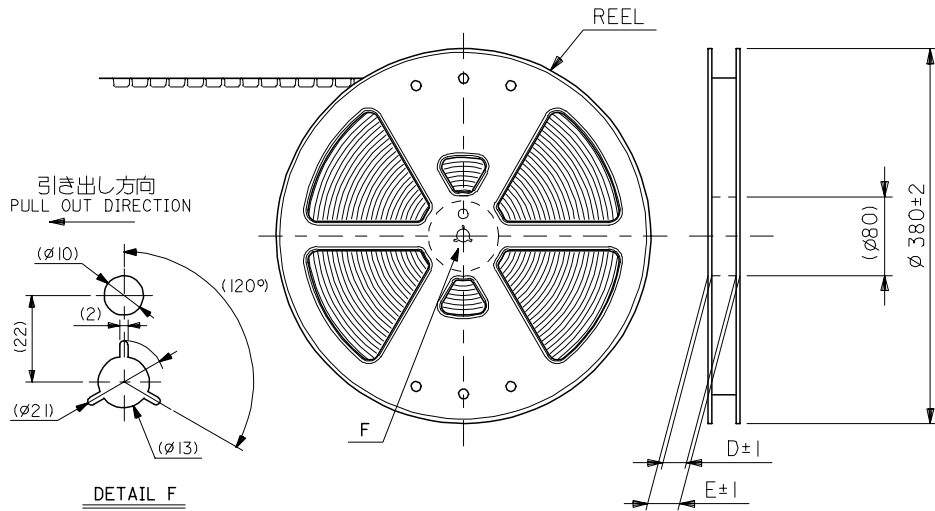


- トップテープの剥離強度：0.1N ~ 1.3N (10gf ~ 130gf)
(剥離方向は下図参照)
尚、本規格値は出荷時に適用。(但し、輸送時に剥離が発生しないこと。)
PEELING OFF FORCE OF TOP TAPE : 0.1N ~ 1.3N (10gf ~ 130gf)
(PEELING DIRECTION AS SHOWN IN FOLLOWING FIG.)
THIS REQUIREMENT SHOULD BE APPLIED AT SHIPMENT.
PEEL OFF SHOULD NOT BE ALLOWED , DURING TRANSPORTATION.



- 材料 (MATERIAL)
キャリアテープ (CARRIER TAPE) : ポリプロピレン (POLYPROPYLENE)
トップテープ (TOPTAPE) : PET , PE , PEF
リール (REEL) : ポリスチレン (P.S) <リサイクル材を含む>
POLYSTYRENE (PS) <RECYCLE MATERIAL CONTAINED>

- 本製品は 54550-**90 の鉛フリー品である。
THIS PRODUCT IS LEAD FREE OF 54550-**90.



54550-**94 MODEL No.

REVISED EC NO: J2005-1954 DRAWN: NABEI 2005/01/13 CHKD: K. TOJO 2005/01/14 APPR: NUKITA 2005/01/18	GENERAL TOLERANCES (UNLESS SPECIFIED)		DIMENSION STYLE MM ONLY		SCALE ---	DESIGN UNITS METRIC	THIRD ANGLE PROJECTION
	10 UNDER	± 0.2	DRAWN BY M. NINOMIYA	DATE '03/12/22	TITLE 0.5 FPC CONN ZIF HSG EMBSTP PKG -LEAD FREE-		
	10 OVER 30 UNDER	± 0.25	CHECKED BY K. TOJO	DATE '03/12/22	MOLEX INCORPORATED		
	30 OVER	± 0.3	APPROVED BY M. SASAO	DATE '03/12/22	DOCUMENT NO. SD-54550-020	SHEET NO. 1 OF 4	
	ANGULAR	$\pm 3^\circ$	MATERIAL NO. SEE CHART				
DRAFT WHERE APPLICABLE MUST REMAIN WITHIN DIMENSIONS		SIZE THIS DRAWING CONTAINS INFORMATION THAT IS PROPRIETARY TO MOLEX INCORPORATED AND SHOULD NOT BE USED WITHOUT WRITTEN PERMISSION					

10 9 8 7 6 5 4 3 2 1

F

E

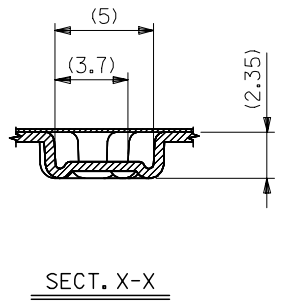
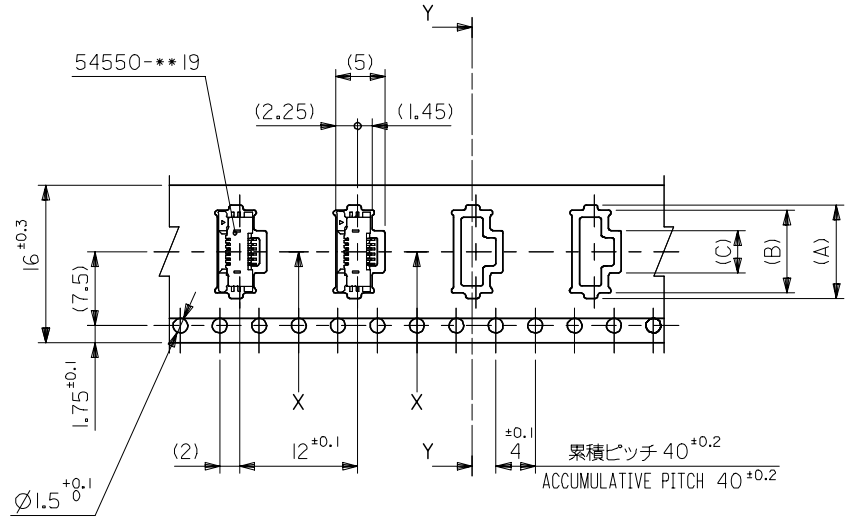
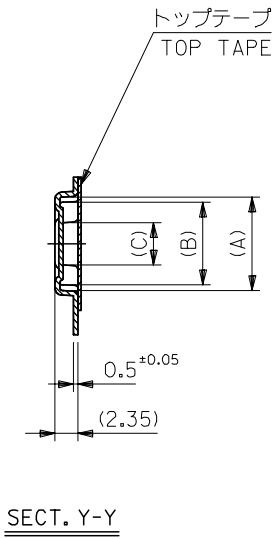
D

C

B

A

引き出し方向
PULL OUT DIRECTION



16mm幅キャリアテープ
16mm WIDTH CARRIER TAPE

16	21.4	17.4	4.3	8.4	9.5	54550-0694	6
			3.8	7.9	9	54550-0594	5
			3.3	7.4	8.5	54550-0494	4
キャリアテープ幅 CARRIER TAPE WIDTH	E	D	(C)	(B)	(A)	製品番号 MATERIAL No.	極数 CK+

REVISED EC NO: J2005-1954 DRAWN: NABEI CHKD: K. TOJO APPR: NUKITA 2005/01/13 2005/01/14 2005/01/18	GENERAL TOLERANCES (UNLESS SPECIFIED)		DIMENSION STYLE MM ONLY		SCALE ---	DESIGN UNITS METRIC	THIRD ANGLE PROJECTION
	10 UNDER	±0.2	DRAWN BY M. NINOMIYA	DATE '03/12/22	TITLE 0.5 FPC CONN ZIF HSG EMBSTP PKG -LEAD FREE-		
	10 OVER 30 UNDER	±0.25	CHECKED BY K. TOJO	DATE '03/12/22	MOLEX INCORPORATED		
	30 OVER	±0.3	APPROVED BY M. SASAO	DATE '03/12/22	DOCUMENT NO. SD-54550-020		
	ANGULAR	±3 °	MATERIAL NO.	SEE CHART	SHEET NO. 2 OF 4		
DRAFT WHERE APPLICABLE MUST REMAIN WITHIN DIMENSIONS		THIS DRAWING CONTAINS INFORMATION THAT IS PROPRIETARY TO MOLEX INCORPORATED AND SHOULD NOT BE USED WITHOUT WRITTEN PERMISSION					

