

New Product DisplayPort

Amphenol

Now you're connected!

About Amphenol Commercial Products

Amphenol's commercial connector products are used in a variety of end user applications including networking, telecom, server & computer, storage & HDD, consumer electronics and entertainment, professional audio & Industrial.



Description

Amphenol's DisplayPort is a new digital display interface standard put forth by the Video Electronics Standards Association (VESA).

Amphenol's DisplayPort covers provisions for high definition digital audio-video and graphics streaming via the interface through the same cable.

Amphenol's DisplayPort reduces cost and provides ease of use through the plug-and-play feature making it user- friendly for consumer.

Amphenol's DisplayPort receptacle including SMT type and Through Hole type has excellent electrical and mechanical performance. Amphenol's DisplayPort receptacle, plug and cable assembly provides a full package solution for you.

Applications

DisplayPort delivers on the promise of digital displays. It replaces the clunky DVI interface and eventually replaces the analog VGA interface on displays and PCs with an innovative digital solution that supports the latest graphics and LCD technologies. DisplayPort assures that you get the best experience from your LCD, it simplifies display design and connections, enables interoperability with existing display interface and provides a technology foundation to deliver new and exciting display capabilities. It is widely used in

- PC
- Notebook
- Set Top Box & DVD Player
- Projector
- LCD monitor

Amphenol

Now you're connected!

Related Products

Amphenol manufactures an entire product line of DisplayPort, HDMI, SATA, SAS. Contact your local Amphenol representative for details.



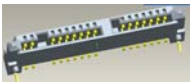
DisplayPort Cable Assembly



DisplayPort - DVI Adaptor



HDMI



Micro SATA

Please contact your local sales engineer or Amphenol office for more information about displayport connectors and cable products.

Electrical Properties

Amphenol's DisplayPort receptacle and plug feature superior high speed electrical performance:

- Voltage Rating: 40VAC
- Current Rating : 0.5 A
- Contact Resistance: 30 Milliohms Max.
- Insulation Resistance: Unmated: 100 Megohms Min
Mated: 10 Megohms Min
- Dielectric Withstanding Voltage: Unmated: 500VAC
Mated: 300V AC

Mechanical Properties

Amphenol's DisplayPort receptacle and plug feature superior, stable mechanical performance:

- Contact Retention: 2 N/ Min.
- Insertion Force: 50 N Max
- Withdraw Force: 5 N Min and 50 N Max
- Durability: 500 Cycles Min
- Soderability: SMT Type: IR Reflow 250C 15 Sec Max.
DIP Type: 230 C 3-5 Sec.
- Flammability Rating: High temperature Plastic UL94V-0
- Operating temperature: -55C To + 85C
- ROHS Complaint

Available Documents

Drawing Numbers:

CDPF202002XXXX.PDF	DisplayPort Receptacle TH(DIP)
CDPF201001XXXX.PDF	DisplayPort Receptacle SMT
CBA-00-DPDP-W-X00.PDF	DP-DP cable assembly
DPM203XXXXX.PDF	DisplayPort Header

Product Specification:

DisplayPort Connector Series

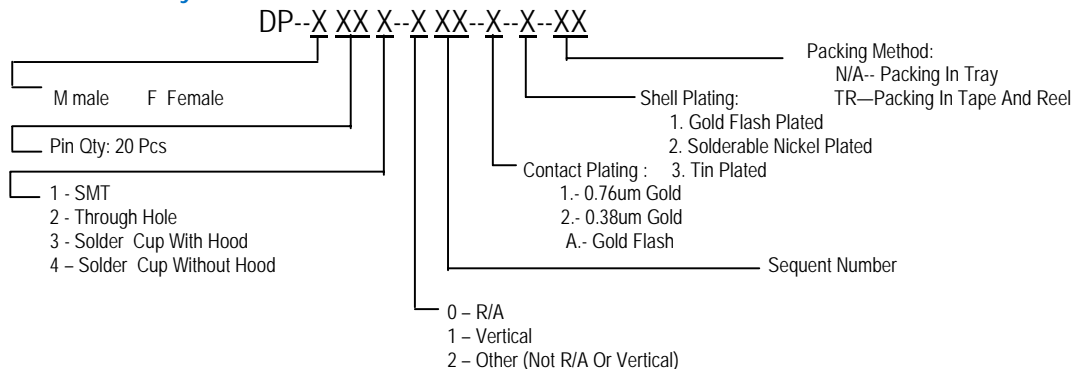
Test Report:

Test Report for F202002XXXX & F201001XXXX. PDF

High Speed Performance Test No. FAI-856 DP(Female)connector evaluation test report 080708

FAI-830 DP(Female)connector evaluation test report 080703

Part Numbers System



Amphenol

Amphenol Commercial Products

ASCA
Block A3/A4, the 4th Industrial District of Industrial Headquarters
Dongkeng Road, GongMing Town Shenzhen, China

Copyright © Amphenol Corporation 2008 • All rights reserved

www.amphenol.com.cn