

10 9 8 7 6 5 4 3 2 1

D M C 5.55
 .00 P C VP. 4.20

.40 PCF

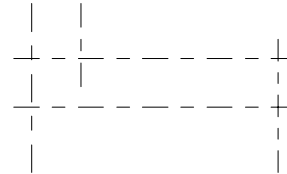
1. MATERIALS:
 OUS NG
 CPM NAL COPPER ALLOY
 2. FINISHES
 OP ONAL
 LOC NG PAMP (2)
 UL94V 0 BLAC

4.4

D M E .00
 D M D 0.60

AL
 0.60 SO. VP. POLAR ZL ON CV 4.20

3. PRODUCT SPEC PS 87568 004 APPL CS
 4. FOR LLUS PA ON PURPOSES, 2 C S S OWN
 5. PAPER MATERIALS WITH ALL MILL GRIP D LADERS WITH MATERIAL LENGTH
 BE WITHIN 2.50mm AND 4.20mm
 6. PAPER SPEC DESIGN FOR .00mm P C FLA CABLE, 7 S PANDS,
 AWG 28, UL265 AND UL2678
 7. ALL OPERATIONAL SPECIFICATIONS, CONDUCTANCE OPERATIONAL
 8. STANDARD PRACTICES TO BE PURCHASED SEPARATELY,
 REFERENCE TO SD 87569 008



2.00

C 2

D M B

D M A

OBS TIN/LEAD P/N	EC NO: S2006-0732	2006/04/03
	DRWN:MLONG	2006/04/03
	CHKD:RAGESHKN	2006/04/04
	APPR:PTLIM	2006/04/06
REV	DESCRIPTION	

QUALITY SYMBOLS
 ▽=0
 ▽=0

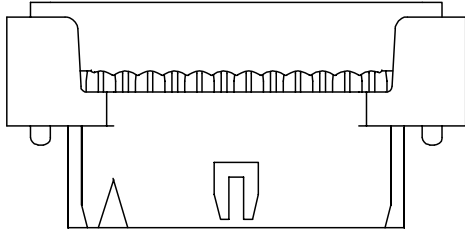
GENERAL TOLERANCES (UNLESS SPECIFIED)		
	mm	INCH
4 PLACES	± .005	± .0004
3 PLACES	± .005	± .0004
2 PLACES	± 0.15	± .005
1 PLACE	± .005	± .0004
ANGULAR ± 3 °		
DRAFT WHERE APPLICABLE MUST REMAIN WITHIN DIMENSIONS		

DIMENSION STYLE		SCALE	DESIGN UNITS	THIRD ANGLE PROJECTION
MM ONLY		NTS	METRIC	
DRAWN BY	DATE	TITLE		
AGARWAL	1997/08/05	MGRID 2MM DUAL ROW IDT RECEPTACLE		
CHECKED BY	DATE			
SQUEK	1997/09/03			
APPROVED BY	DATE	MOLEX INCORPORATED		
JAMES	1997/09/03	MATERIAL NO. SD-87568-003		
SIZE		DOCUMENT NO.		SHEET NO.
A3		SD-87568-003		1 OF 3

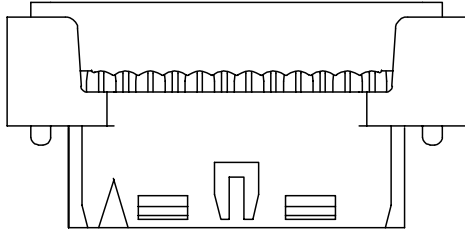
THIS DRAWING CONTAINS INFORMATION THAT IS PROPRIETARY TO MOLEX INCORPORATED AND SHOULD NOT BE USED WITHOUT WRITTEN PERMISSION

9 8 7 6 5 4 3 2 1

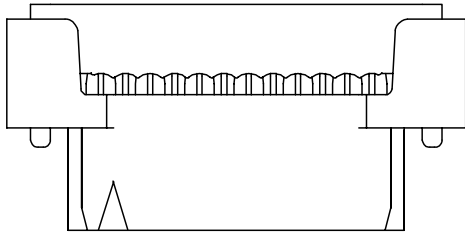
10 9 8 7 6 5 4 3 2 1



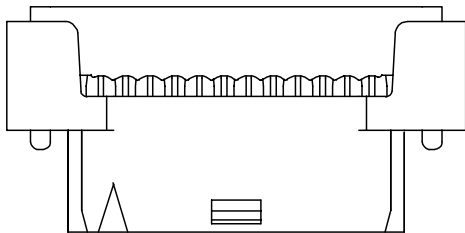
87568-***4*
POLARIZATION ONLY
(APPLICABLE FOR 14 TO 50 CKT)



87568-***9*
POLARIZATION AND RAMP LOCKING
(APPLICABLE FOR 14 TO 50 CKT)



87568-***6*
NO POLARIZATION/RAMP FEATURE
(APPLICABLE FOR 10 TO 50 CKT)



87568-***7*
SINGLE RAMP LOCKING ONLY
(APPLICABLE FOR 10 TO 12 CKT)

ENGINEERING NUMBER	CKT. SIZE	A	B	C	D	E
87568-10**	10	16.65	8.00	14.90	11.65	10.55
87568-12**	12	18.65	10.00	16.90	13.65	12.55
87568-14**	14	20.65	12.00	18.90	15.65	14.55
87568-16**	16	22.65	14.00	20.90	17.65	16.55
87568-20**	20	26.65	18.00	24.90	21.65	20.55
87568-22**	22	28.65	20.00	26.90	23.65	22.55
87568-24**	24	30.65	22.00	28.90	25.65	24.55
87568-26**	26	32.65	24.00	30.90	27.65	26.55
87568-30**	30	36.65	28.00	34.90	31.65	30.55
87568-34**	34	40.65	32.00	38.90	35.65	34.55
87568-36**	36	42.65	34.00	40.90	37.65	36.55
87568-40**	40	46.65	38.00	44.90	41.65	40.55
87568-44**	44	50.65	42.00	48.90	45.65	44.55
87568-50**	50	56.65	48.00	54.90	51.65	50.55

87568 - * * * *
CKT. SIZE

PLATING OPTION
(SEE NOTE 2)

POLARIZATION KEY
& LOCKING RAMP OPTION

- 4 - WITH POLARIZATION ONLY FOR 14 - 50 CKT
- 6 - WITHOUT POLARIZATION AND RAMP LOCKING
- 7 - WITH SINGLE RAMP LOCKING ONLY FOR 10 & 12 CKT
- 9 - WITH POLARIZATION AND RAMP LOCKING FOR 14 - 50 CKT

10-12 CIRCUIT SIZE HAS ONLY ONE RAMP
FOR LOCKING (OPTIONAL)

14-50 CIRCUIT SIZE HAS BOTH
POLARIZATION AND RAMP LOCKING (OPTIONAL)

OBS TIN/LEAD P/N EC NO: S2006-0732 DRWN:MLONG CHKD:NAGESHKN APPR:PTLIM	2006/04/03 2006/04/04 2006/04/06	DESCRIPTION REV	QUALITY SYMBOLS	GENERAL TOLERANCES (UNLESS SPECIFIED)	DIMENSION STYLE	SCALE	DESIGN UNITS	THIRD ANGLE PROJECTION		
			$\nabla=0$ $\nabla C=0$	mm INCH 4 PLACES ± --- ± --- 3 PLACES ± --- ± --- 2 PLACES ± 0.15 ± --- 1 PLACE ± --- ± --- ANGULAR ± 3 °	MM ONLY	NTS	METRIC	DRAWN BY: AGARWAL DATE: 1997/08/05 CHECKED BY: DATE: SQUEK 1997/09/03 APPROVED BY: JAMES DATE: 1997/09/03	TITLE	MGRID 2MM DUAL ROW IDT RECEPTACLE
			DRAFT WHERE APPLICABLE MUST REMAIN WITHIN DIMENSIONS	SEE TABLE	MATERIAL NO. DOCUMENT NO. SD-87568-003 SHEET NO. 2 OF 3	MOLEX INCORPORATED				
			THIS DRAWING CONTAINS INFORMATION THAT IS PROPRIETARY TO MOLEX INCORPORATED AND SHOULD NOT BE USED WITHOUT WRITTEN PERMISSION							

9 8 7 6 5 4 3 2 1

10 9 8 7 6 5 4 3 2 1

F

E

D

C

B

A

F

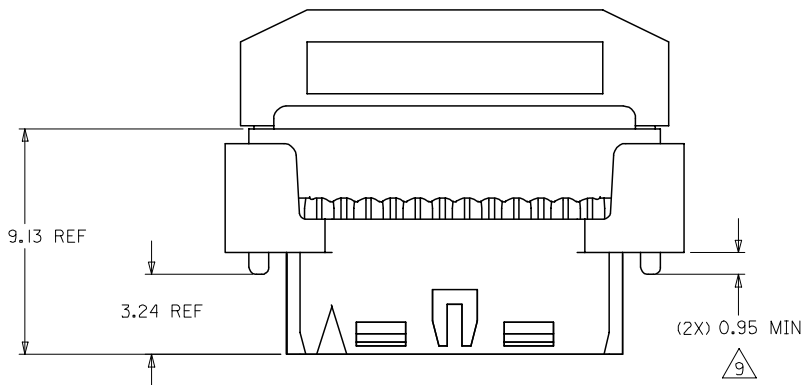
E

D

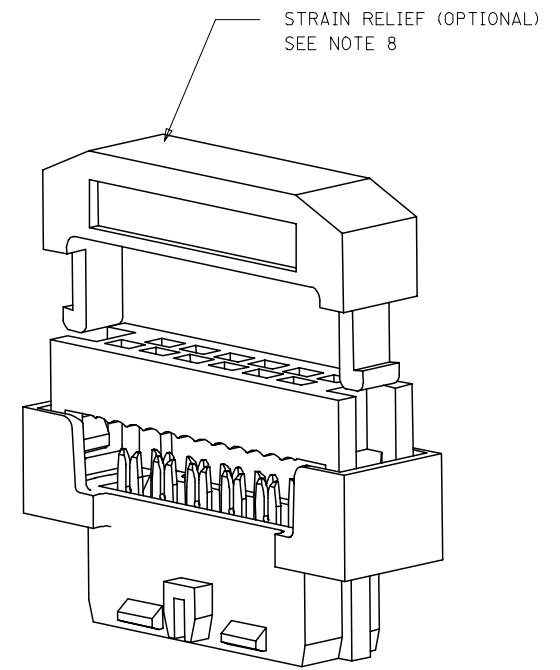
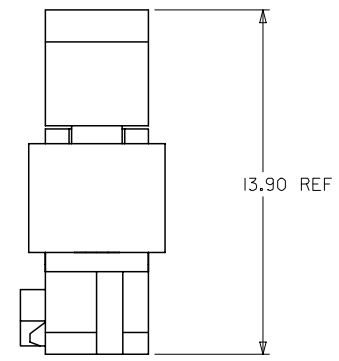
C

B

A



CABLE LOADED ASSEMBLY WITH STRAIN RELIEF



3D VIEW
(12 CKT SHOWN FOR ILLUSTRATION ONLY)

NOTES

9 THIS DIMENSION IS TO ENSURE GOOD CABLE TERMINATION.

OBS TIN/LEAD P/N EC NO: S2006-0732 DRWN:MLONG 2006/04/03 CHKD:NAGESHKN 2006/04/04 APPR:PTLIM 2006/04/06	QUALITY SYMBOLS ▽=0 ◻=0	GENERAL TOLERANCES (UNLESS SPECIFIED)		DIMENSION STYLE MM ONLY		SCALE NTS	DESIGN UNITS METRIC	THIRD ANGLE PROJECTION		
			mm	INCH	DRAWN BY AGARWAL	DATE 1997/08/05	TITLE MGRID 2MM DUAL ROW IDT RECEPTACLE MOLEX INCORPORATED			
		4 PLACES	± ---	± ---	CHECKED BY SQUEK	DATE 1997/09/03				
		3 PLACES	± ---	± ---	APPROVED BY JAMES		DATE 1997/09/03	DOCUMENT NO. SD-87568-003		SHEET NO. 3 OF
2 PLACES	± 0.15	± ---	DRAFT WHERE APPLICABLE MUST REMAIN WITHIN DIMENSIONS		SIZE A3	THIS DRAWING CONTAINS INFORMATION THAT IS PROPRIETARY TO MOLEX INCORPORATED AND SHOULD NOT BE USED WITHOUT WRITTEN PERMISSION				
1 PLACE	± ---	± ---	ANGULAR ± 3 °							

9 8 7 6 5 4 3 2 1