

THIS DRAWING IS UNPUBLISHED. RELEASED FOR PUBLICATION AUGUST, 2005.  
 © COPYRIGHT 2005 BY TYCO ELECTRONICS CORPORATION. ALL RIGHTS RESERVED.

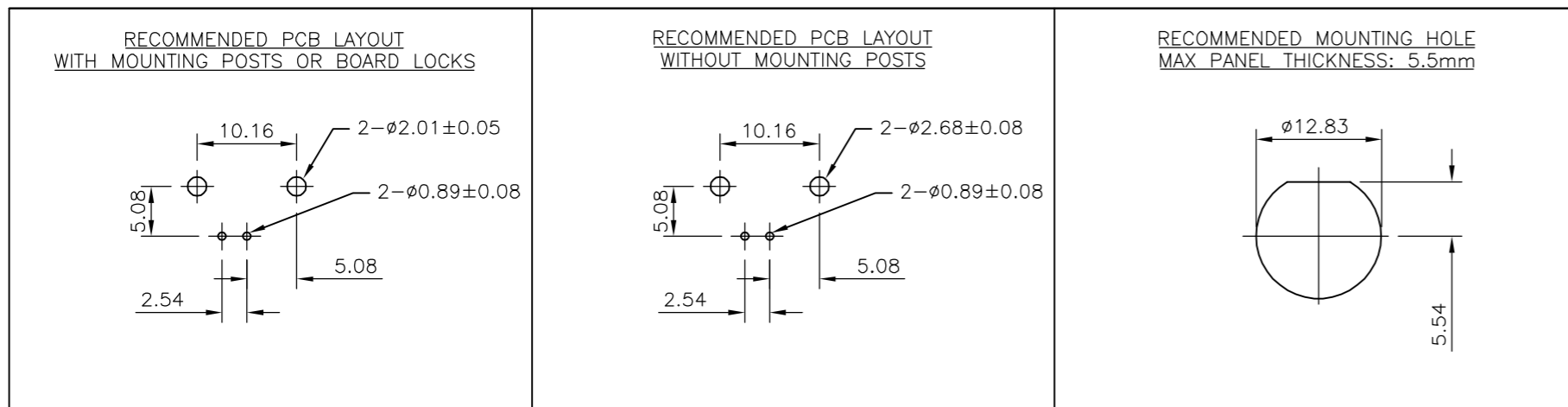
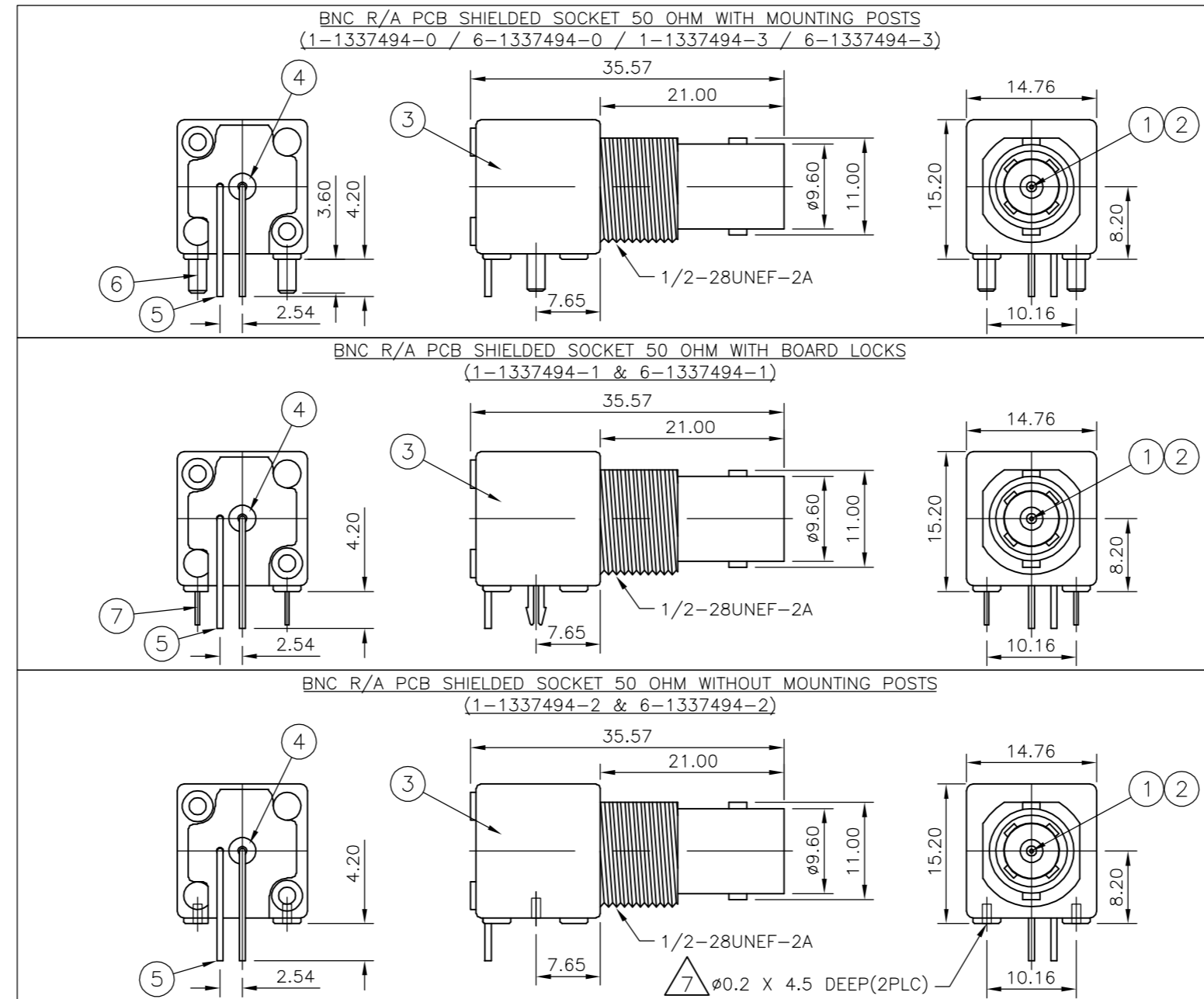
LOC	DIST	REVISIONS					
		P	LTR	DESCRIPTION	DATE	DWN	APVD
E	B	D		ECR-05-006587	03AUG05	JMS	FWK

- NOTES:
- 1 SINGLE PACK IN ACCORDANCE WITH AMP SPEC 107-3275
  - 2 50 TRAY PACK IN ACCORDANCE WITH AMP SPEC 107-3275
  - 3 FLASH Au PLATING OVER Ni PLATING OVER Cu PLATING
  - 4 0.8µm Au PLATING OVER Ni PLATING OVER Cu PLATING
  - 5 Ni PLATING OVER Cu PLATING
  - 6 TIN PLATING
  - 7 RECOMMENDED SELF-TAPPING SCREW 221108-4
  - 8 RECOMMENDED MOUNT NUT 1-1634816-0
  - 9 RECOMMENDED LOCKWASHER 1-1634817-0
  10. CHARACTERISTICS
 

FREQUENCY RANGE:	DC - 4GHz
NOMINAL IMPEDANCE:	50 OHMS
WORKING VOLTAGE:	500V RMS
INSULATION RESISTANCE:	5000 MOHMS
DIELECTRIC WITHSTAND VOLTAGE:	1500V RMS
CONTACT RESISTANCE:	
CENTRE CONTACT	1.5 mOHMS
OUTER CONTACT	0.2 mOHMS

11. MECHANICAL CHARACTERISTICS
 

DURABILITY:	50 CYCLES
-------------	-----------
12. FOR TECHNICAL DATA REFER TO YOUR LOCAL TYCO ELECTRONICS SALES OFFICE
13. ALL DIMENSIONS ARE NOMINAL FOR REFERENCE ONLY UNLESS OTHERWISE STATED



QTY	DESCRIPTION	ITEM
-	BRASS	BOARD LOCK
2	BRASS	MOUNTING POST
1	BRASS	SOLDER TAIL
1	PE-606	INSULATOR
1	ZINC ALLOY	BODY
1	BRASS	CONTACT
-	BRASS	CONTACT
6--3		
1--3		
6--2		
1--2		
6--1		
1--1		
6--0		
1--0		
	MATERIAL	DESCRIPTION
		ITEM

THIS DRAWING IS A CONTROLLED DOCUMENT.

DWN	J.SANDWELL	18MAR04
CHK	S.PARLOW	18MAR04
APVD	F.WHEELER-KING	18MAR04
PRODUCT SPEC	108-3435	
APPLICATION SPEC	N/A	
MATERIAL	SEE TABLE	
FINISH	SEE TABLE	
WEIGHT	-	
CUSTOMER DRAWING		

**tyco** Tyco Electronics Corporation  
Bideford, UK, EX39 4HE

**BNC R/A PCB SHIELDED SOCKET 50 OHM**

SIZE	A2	CAGE CODE	00779	DRAWING NO	C=1337494	RESTRICTED TO	-
SCALE	NTS	SHEET	1	OF	1	REV	D

1337494