

Ledex® Magnetic Latching Box Frame Size B17-L

Part Number: B17 - L - **X** **XX** - B-3

Coil Selection
(from performance chart below)

Pole Configuration
1 Flat Face

All catalog products manufactured after April 1, 2006 are RoHS Compliant

Well-suited for battery operation.



See the "Battery Operated Solenoids" section for complete information.

Specifications

| | |
|---------------------|---|
| Operation | Pull |
| Dielectric Strength | 500 VRMS for one second |
| Unlatch Voltage | See schematic and coil data below |
| Magnet Hold Force* | 10 oz. (with return spring) |
| Coil Insulation | Class "B": 130°C max. (standard); other temperature classes available |
| Coil Termination | 10" PVC lead wires |
| Spring Force | 16.0 oz/in; 2.4 oz latched position |
| Plunger Pole Face | Flat face (other options available) |
| Plunger Weight | 0.08 oz. (2.46 g) |
| Total Weight | 0.70 oz. (19.85 g) |
| Dimensions | See page 114 |

*In no power, latched position.

Performance

| Maximum Duty Cycle | Unlatched | | | |
|-----------------------|-----------|-----|-----|------|
| | Voltage | 50% | 25% | 10% |
| Maximum ON Time (sec) | n/a | 112 | 36 | 10.5 |
| Watts (@ 20°C) | 1.6 | 3.2 | 6.4 | 16 |
| Ampere Turns (@ 20°C) | 292 | 414 | 584 | 923 |

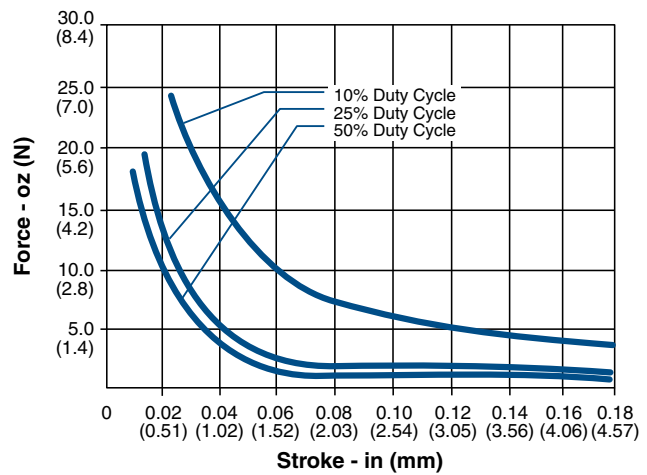
Coil Data

| Part Number | Resistance (@20°C) | Ref # Turns | Unlatch VDC | VDC (Nom) | VDC (Nom) | VDC (Nom) |
|---------------|--------------------|-------------|-------------|-----------|-----------|-----------|
| B17-L-158-B-3 | 5.40 | 556 | 3 | 4 | 6 | 9 |
| B17-L-155-B-3 | 21.93 | 1112 | 6 | 8.5 | 12 | 19 |
| B17-L-156-B-3 | 50.20 | 1540 | 9 | 12 | 18 | 28.3 |
| B17-L-154-B-3 | 88.95 | 2208 | 12 | 17 | 24 | 38 |
| B17-L-153-B-3 | 337.00 | 3687 | 24 | 34 | 48 | 76 |
| B17-L-152-B-3 | 1465.00 | 9177 | 48 | 68 | 96 | 153 |

NOTES:

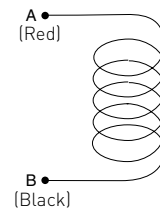
- All data is typical.
- Force testing is done with the solenoid in the horizontal position.
- All data reflects operation with no heatsink.

Typical Force @ 20°C (Net, with Spring)



Coil Polarity

Latch: A+ B-
Unlatch: A- B+



How to Order

Select the part number from the table provided. (For example, to order a 25% duty cycle unit rated at 48 VDC, specify B17-L-153-B-5.

Please see www.ledex.com (click on Stock Products tab) for our list of stock products available through our North American distributors.

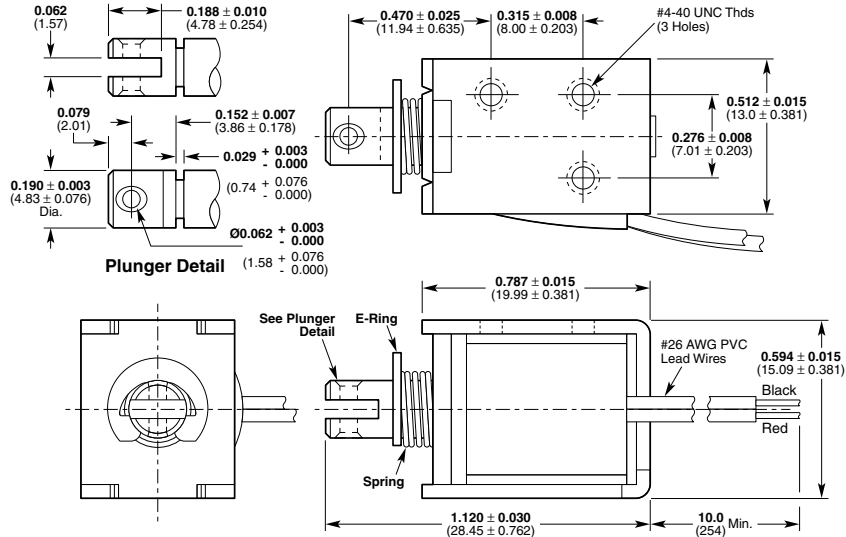
Force values for reference only.

All specifications subject to change without notice.

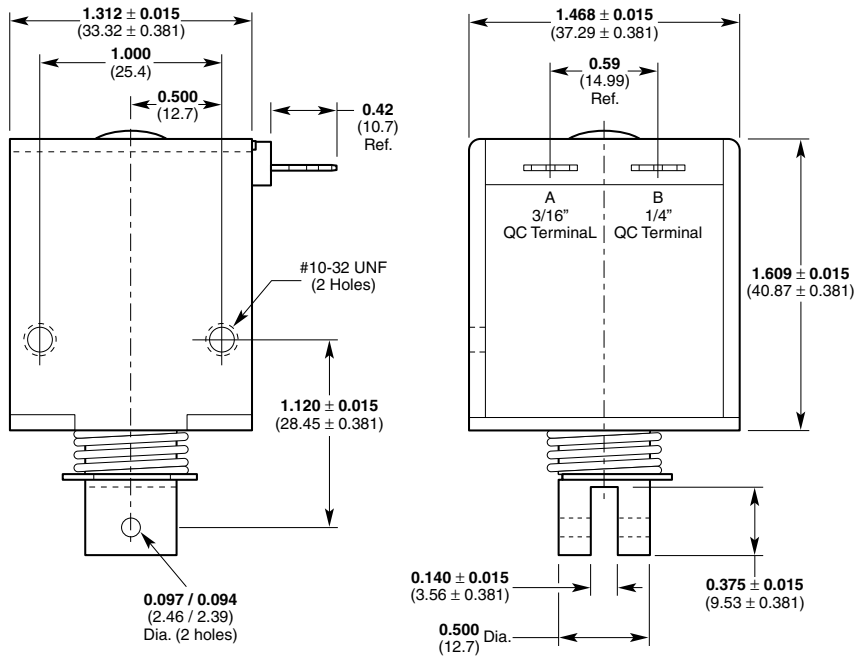
Ledex® Box Frame Magnetic Latching Dimensions

Inches (mm)

B17-L



B22-L



LINEAR Magnet Latch

All solenoids are illustrated in energized state

All specifications subject to change without notice.