

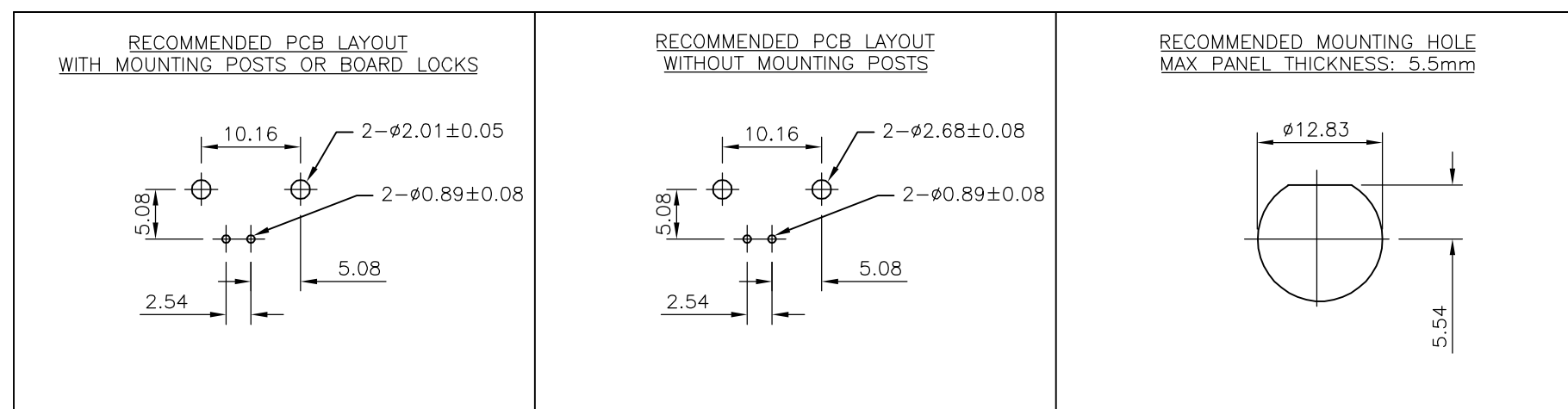
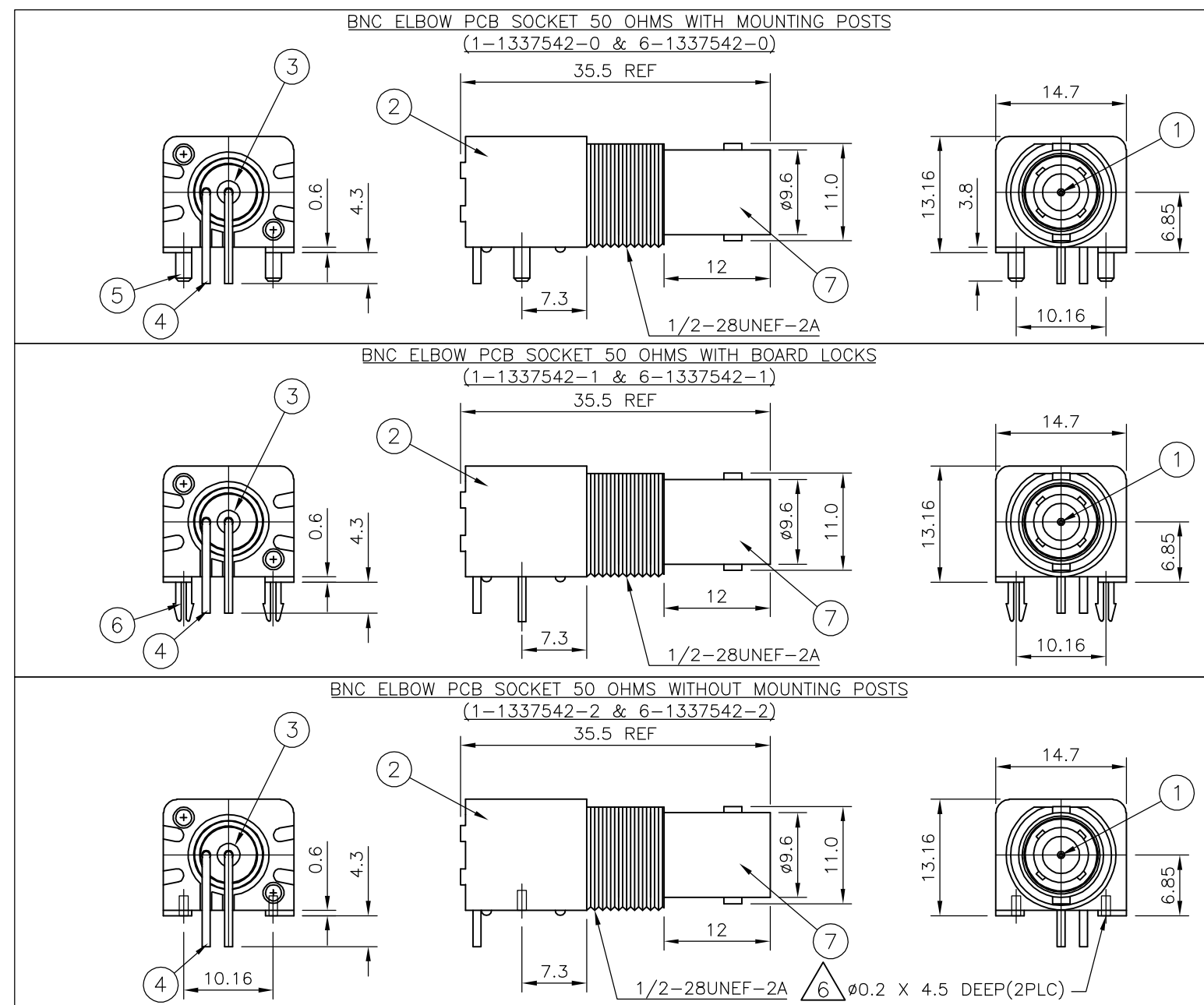
THIS DRAWING IS UNPUBLISHED. RELEASED FOR PUBLICATION AUGUST, 2005.  
 © COPYRIGHT 2005 BY TYCO ELECTRONICS CORPORATION. ALL RIGHTS RESERVED.

LOC	DIST	REVISIONS					
		P	LTR	DESCRIPTION	DATE	DWN	APVD
E	B	C		ECR-05-006587	03AUG05	JMS	FWK

- NOTES:
- 1. SINGLE PACK IN ACCORDANCE WITH AMP SPEC 107-3275
  - 2. 50 TRAY PACK IN ACCORDANCE WITH AMP SPEC 107-3275
  - 3. Au PLATING OVER Ni PLATING OVER Cu PLATING
  - 4. Ni PLATING OVER Cu PLATING
  - 5. TIN PLATING
  - 6. RECOMMENDED SELF-TAPPING SCREW 221108-4
  - 7. RECOMMENDED MOUNT NUT 1-1634816-0
  - 8. RECOMMENDED LOCKWASHER 1-1634817-0
  - 9. CHARACTERISTICS
 

FREQUENCY RANGE:	DC - 4GHz
NOMINAL IMPEDANCE:	50 OHMS
WORKING VOLTAGE:	500V RMS
INSULATION RESISTANCE:	5000 MOHMS
DIELECTRIC WITHSTAND VOLTAGE:	1500V RMS
CONTACT RESISTANCE:	
CENTRE CONTACT:	1.5 mOHMS
OUTER CONTACT:	0.2 mOHMS
  - 10. MECHANICAL CHARACTERISTICS
 

DURABILITY:	50 CYCLES
-------------	-----------
  - 11. FOR TECHNICAL DATA REFER TO YOUR LOCAL TYCO ELECTRONICS SALES OFFICE
  - 12. ALL DIMENSIONS ARE NOMINAL FOR REFERENCE ONLY UNLESS OTHERWISE STATED



QUANTITY PER ASSY							PARTS LIST			
1	1	1	1	1	1	1	ZINC DIECAST	△	BODY	7
-	-	2	2	-	-	-	BRASS	△	BOARD LOCK	6
-	-	-	-	2	2	-	BRASS	△	MOUNTING POST	5
1	1	1	1	1	1	1	BRASS	△	SOLDER TAIL	4
1	1	1	1	1	1	1	PE-606		INSULATOR	3
1	1	1	1	1	1	1	PBT WHITE		HOUSING	2
1	1	1	1	1	1	1	BRASS	△	CONTACT	1
6--2	1--2	6--1	1--1	6--0	1--0		MATERIAL		DESCRIPTION	ITEM
△	△	△	△	△	△					

THIS DRAWING IS A CONTROLLED DOCUMENT.		DWN	J.SANDWELL	03AUG05	Tyco Electronics Corporation Bideford, UK, EX39 4HE	
DIMENSIONS: mm		CHK	S.PARLOW	03AUG05		
TOLERANCES UNLESS OTHERWISE SPECIFIED		APVD	F.WHEELER-KING	03AUG05	NAME	
0 PLC ±		PRODUCT SPEC		BNC LOW PROFILE R/A INSULATED PCB SOCKET		
1 PLC ±		APPLICATION SPEC		50 OHM WHITE		
2 PLC ±		WEIGHT		-		
3 PLC ±		SIZE		A2		
4 PLC ±		CAGE CODE		00779		
ANGLES ±		DRAWING NO		C=1337542		
FINISH		RESTRICTED TO		-		
SEE TABLE		CUSTOMER DRAWING		SCALE NTS SHEET 1 OF 1 REV C		