

Databank - Product Bulletin

USE OF RFI FILTERS WITH INVERTERS - U120S

Introduction

To reduce the mains conducted Radio Frequency Interference (RFI) emissions from Mitsubishi inverters, a specially developed range of filters are available. When fitted, these filters allow the Mitsubishi inverters to meet the generic standards called up by the EMC Directive 89/336/EEC.

Installation

- The inverter fits directly onto the top panel of the filter (Figure 1). The filter is then secured to the back of the cabinet.
- The filter, inverter and motor are wired as shown in Figure 2. The cable between the filter and inverter should be kept as short as possible. The motor cable should have a continuous overall screen and this can be achieved using braided cable, wire-armoured cable or joined metal conduit.
- For more detailed information on installation, see the Filter Installation Manual.

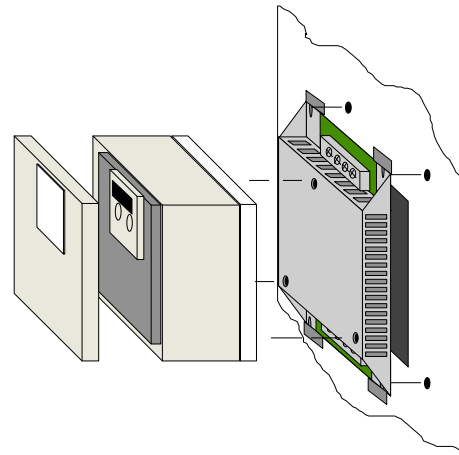


Figure 1. Installation

Filter Part Numbers

	FR-U120S-		
Filter Part No.	0.2K-ER	0.4K-ER	0.75K-ER
FR-ULP06A	•	•	
FR-ULP08A			•

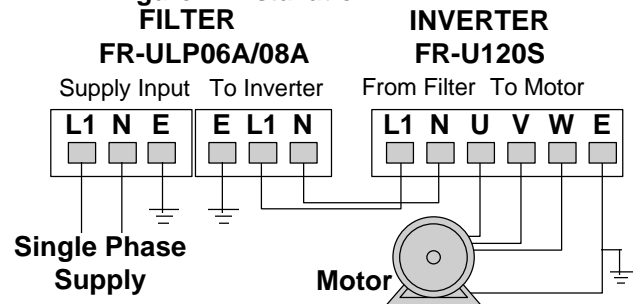
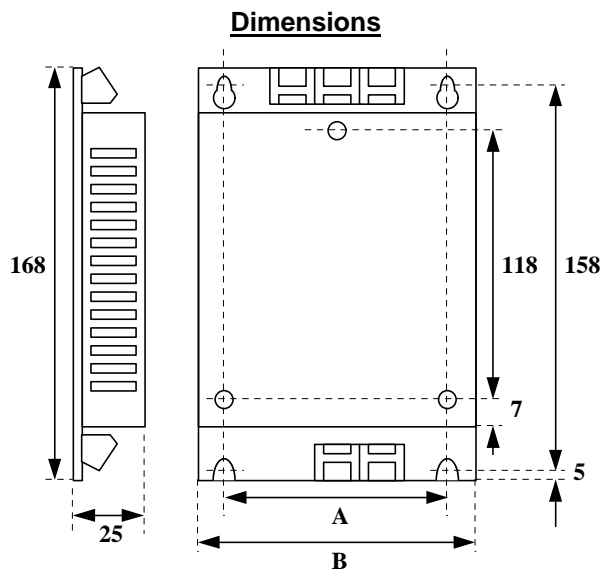


Figure 2. U120S Wiring Details



Filter	A	B
FR-ULP06A	56	70
FR-ULP08A	96	110

All dimensions are in mm