

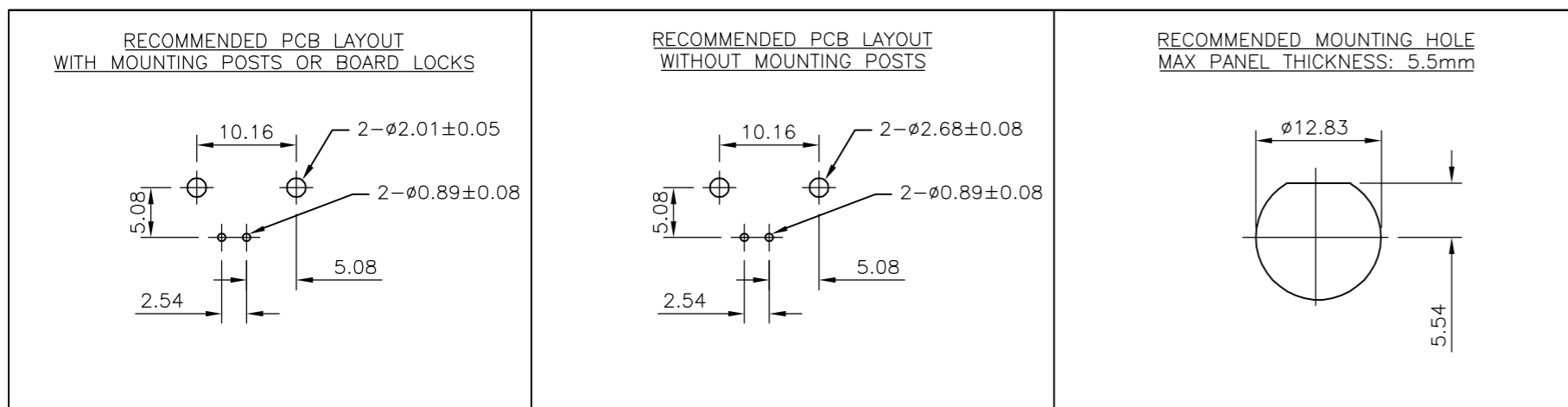
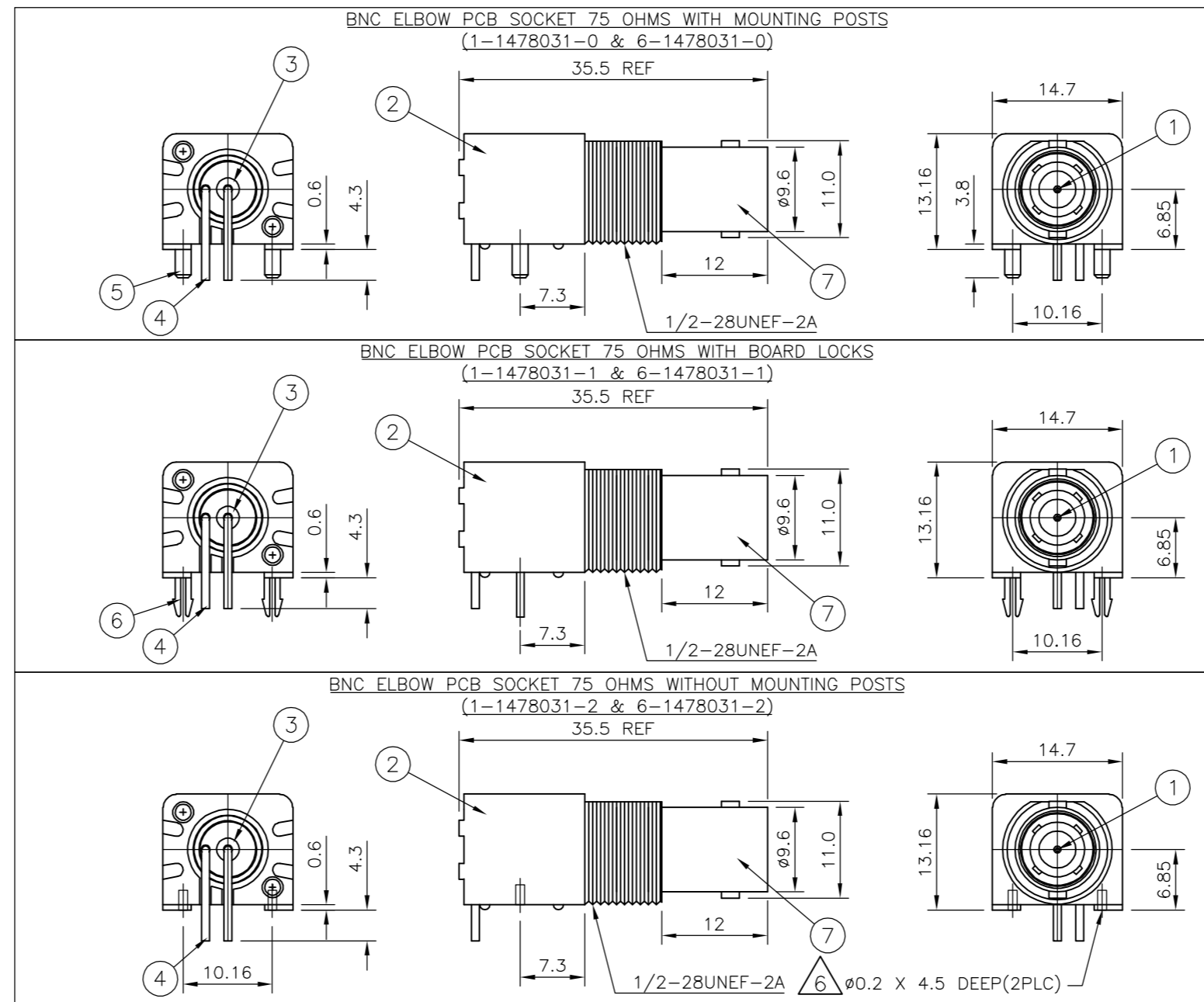
THIS DRAWING IS UNPUBLISHED. RELEASED FOR PUBLICATION AUGUST, 2005.
 © COPYRIGHT 2005 BY TYCO ELECTRONICS CORPORATION. ALL RIGHTS RESERVED.

LOC	DIST	REVISIONS					
		P	LTR	DESCRIPTION	DATE	DWN	APVD
E	B	B		ECR-05-006587	09AUG05	JMS	FWK

- NOTES:
1. SINGLE PACK IN ACCORDANCE WITH AMP SPEC 107-3275
 2. 50 TRAY PACK IN ACCORDANCE WITH AMP SPEC 107-3275
 3. Au PLATING OVER Ni PLATING OVER Cu PLATING
 4. Ni PLATING OVER Cu PLATING
 5. TIN PLATING
 6. RECOMMENDED SELF-TAPPING SCREW 221108-4
 7. RECOMMENDED MOUNT NUT 1-1634816-0
 8. RECOMMENDED LOCKWASHER 1-1634817-0
 9. CHARACTERISTICS

FREQUENCY RANGE:	DC-2GHz
NOMINAL IMPEDANCE:	75 OHMS
WORKING VOLTAGE:	500V RMS
INSULATION RESISTANCE:	5000 MOHMS
DIELECTRIC WITHSTAND VOLTAGE:	1500V RMS
CONTACT RESISTANCE:	
CENTRE CONTACT:	1.5 mOHMS
OUTER CONTACT:	0.2 mOHMS
 10. MECHANICAL CHARACTERISTICS

DURABILITY:	50 CYCLES
-------------	-----------
 11. FOR TECHNICAL DATA REFER TO YOUR LOCAL TYCO ELECTRONICS SALES OFFICE
 12. ALL DIMENSIONS ARE NOMINAL FOR REFERENCE ONLY UNLESS OTHERWISE STATED



QTY	1	1	1	1	1	1	MATERIAL	DESCRIPTION	ITEM
1	1	1	1	1	1	1	ZINC DIECAST	BOARD LOCK	7
-	-	2	2	-	-	-	BRASS	MOUNTING POST	6
-	-	-	-	2	2	-	BRASS	SOLDER TAIL	5
1	1	1	1	1	1	1	BRASS	INSULATOR	4
1	1	1	1	1	1	1	PE-606	HOUSING	3
1	1	1	1	1	1	1	PBT WHITE	CONTACT	2
1	1	1	1	1	1	1	BRASS		1
6--2	1--2	6--1	1--1	6--0	1--0	-	MATERIAL		

THIS DRAWING IS A CONTROLLED DOCUMENT.

DWN	J.SANDWELL	09AUG05
CHK	S.PARLOW	09AUG05
APVD	F.WHEELER-KING	09AUG05
PRODUCT SPEC	108-3435	
APPLICATION SPEC	N/A	
MATERIAL	SEE TABLE	
FINISH	SEE TABLE	

tyco Electronics Tyco Electronics Corporation
Bideford, UK, EX39 4HE

BNC LOW PROFILE R/A INSULATED PCB SOCKET 75 OHM WHITE

SIZE	A2	CAGE CODE	00779	DRAWING NO	C=1478031	RESTRICTED TO	-
SCALE	NTS	SHEET	1	OF	1	REV	B

CUSTOMER DRAWING