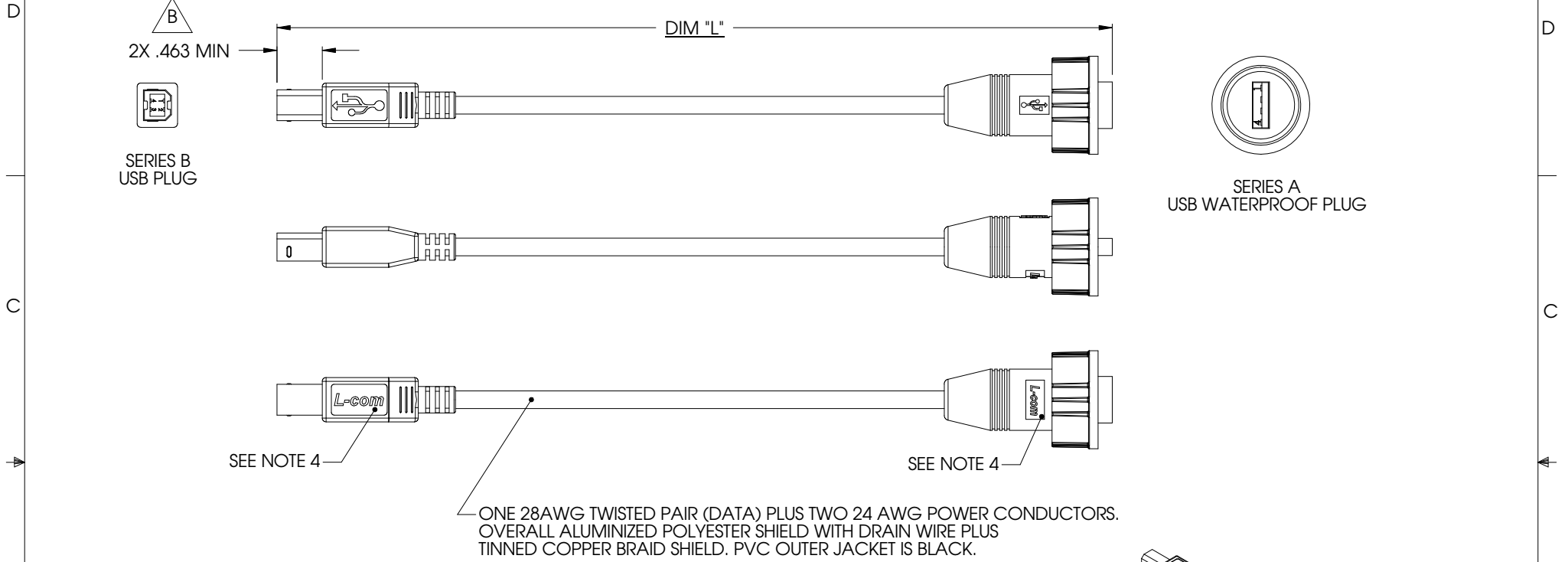
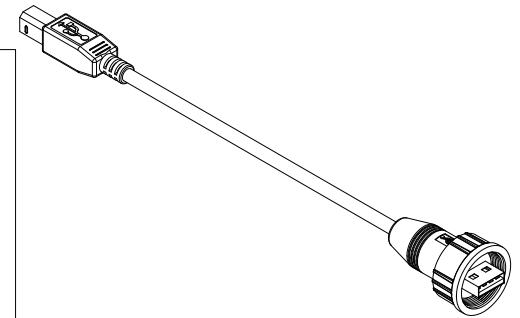
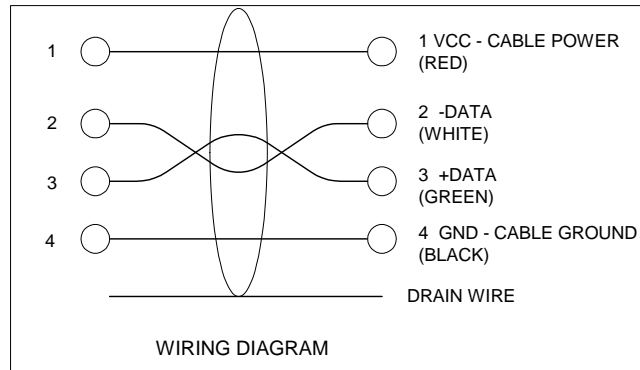


THE INFORMATION CONTAINED IN THIS DRAWING IS THE SOLE PROPERTY OF L-COM, INC. ANY REPRODUCTION IN PART OR WHOLE WITHOUT THE WRITTEN PERMISSION OF L-COM, INC. IS PROHIBITED.

REVISIONS			
REV	DESCRIPTION	DATE	APPROVED
A	APPROVED FOR PRODUCTION	08/08/03	MCCORMICK
B	ECN# 2419 ADDED .463" MIN DIMENSION	05/17/06	MCCORMICK



MODEL NUMBER	DIM "L" (METER)
WPUSBAB-2M	2.0
WPUSBAB-5M	5.0



- NOTES:
1. THESE CABLE ASSEMBLIES ARE CONSTRUCTED TO MEET THE REQUIREMENTS OF THE UNIVERSAL SERIES BUS SPECIFICATION USB 2.0.
 2. CONNECTOR CONTACTS HAVE 30 MICROINCHES GOLD PLATING OVER NICKEL PLATING.
 3. THE CABLE SHIELD DRAIN WIRE IS CONNECTED TO THE METAL SHELL OF EACH PLUG.
 4. THE "L-COM" LOGO IS EMBOSSED IN A RECESSED POCKET. THE RAISED LOGO SHOULD NOT PROJECT BEYOND THE OVERMOLD SURFACE.

UNLESS OTHERWISE SPECIFIED, DIMENSIONS ARE IN INCHES
TOLERANCES ARE:
X ±.1
XX ±.05
XXX ±.005
CABLE LENGTH TOLERANCE
<300" ±5% >300" ±2%

APPROVALS	DATE
DRAWN BY C.MCCORMICK	07/29/2003
CHECKED BY D.PARHAM	07/29/2003
APPROVED BY R.CARRICK	07/29/2003

CONFIGURATION DETAILS OF UNDIMENSIONED FEATURES MAY VARY

L-com 45 BEECHWOOD DRIVE
CONNECTIVITY PRODUCTS NORTH ANDOVER, MA 01845

PRODUCT DESCRIPTION
SERIES "B" TO WATERPROOF SERIES "A"

DRAWING TITLE
OUTLINE DRAWING

SIZE A	FSCM NO. 43321	DWG. NO. WPUSBAB-2M-OD1	REV. B
SCALE: NONE CAD FILE: WPUSBAB-2M-OD1.SLDDRW			SHEET 1 OF 1