



2-phase stepping motor

# 50mm sq. (1.97inch sq.)

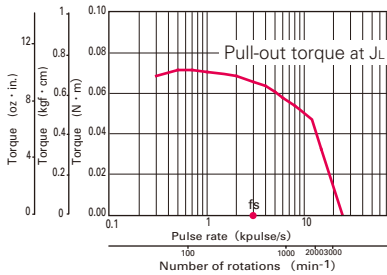
SS250 □  
1.8° / step Bipolar winding

Bipolar winding • Lead wire type

Model		Holding torque at 2-phase energization	Rated current	Wiring resistance	Winding inductance	Rotor inertia	Mass (Weight)
Single shaft	Double shafts	[N · m (oz · in) MIN.]	A/phase	Ω /phase	mH/phase	[×10 <sup>-4</sup> kg · m <sup>2</sup> (oz · in <sup>2</sup> )]	[kg (lbs) ]
<b>SS2501-5041</b>	<b>-5011</b>	0.1 (14.16)	1	4.5	1.8	0.026 (0.142)	0.09 (0.20)
<b>SS2502-5041</b>	<b>-5011</b>	0.215 (30.44)	1	5.9	3.2	0.049 (0.268)	0.15 (0.33)

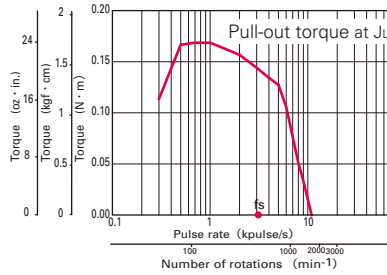
## Pulse rate-torque characteristics

● SS2501-50 □ □



Constant current circuit  
Source voltage : DC24V · operating current : 1A/phase,  
1-2-phase energization (half-step)  
JL = [0.01×10<sup>-4</sup>kg · m<sup>2</sup> (0.055 oz · in<sup>2</sup>) Pulley balancer system]  
fs: No load maximum starting pulse rate

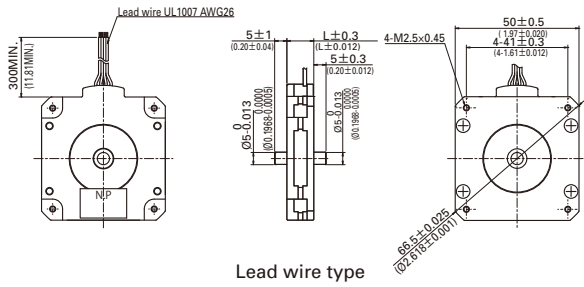
● SS2502-50 □ □



Constant current circuit  
Source voltage : DC24V · operating current : 1A/phase,  
1-2-phase energization (half-step)  
JL = [0.01×10<sup>-4</sup>kg · m<sup>2</sup> (0.055 oz · in<sup>2</sup>) Pulley balancer system]  
fs: No load maximum starting pulse rate

The data are measured under the drive condition of our company. The drive torque may very depending on the accuracy of customer-side equipment.

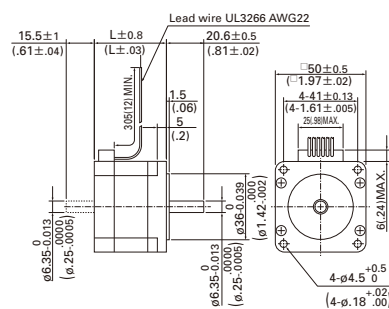
### 50mm (1.97inch)



Lead wire type

	Set part number	Motor model number	Motor length : mm (inch)	Cable type
Bipolar	—	SS2501-50 △ 1	11 (.433)	Lead wire
	—	SS2502-50 △ 1	16 (.63)	Lead wire

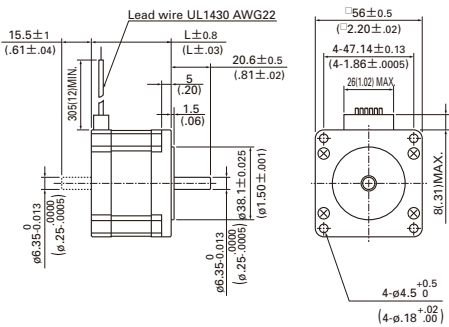
### 50mm (1.97inch)



Lead wire type

	Set part number	Motor model number	Motor length : mm (inch)	Cable type
Unipolar	—	103H6701-01 △ 0	39.8 (1.57)	Lead wire
	—	103H6701-04 △ 0	39.8 (1.57)	Lead wire
	—	103H6701-07 △ 0	39.8 (1.57)	Lead wire
	—	103H6703-01 △ 0	51.3 (2.02)	Lead wire
	—	103H6703-04 △ 0	51.3 (2.02)	Lead wire
	—	103H6703-07 △ 0	51.3 (2.02)	Lead wire
	—	103H6704-01 △ 0	55.8 (2.20)	Lead wire
	—	103H6704-04 △ 0	55.8 (2.20)	Lead wire
Bipolar	DB16H671 ▽	103H6701-50 △ 0	39.8 (1.57)	Lead wire
	DB16H672 ▽	103H6703-50 △ 0	51.3 (2.02)	Lead wire
	—	103H6704-50 △ 0	55.8 (2.20)	Lead wire

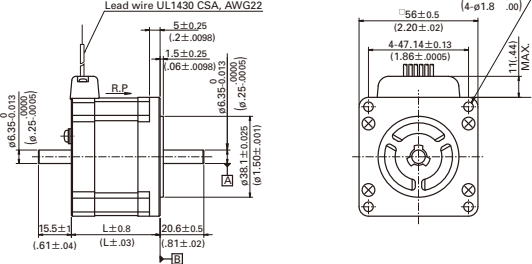
### 56mm (2.20inch)



Lead wire type

	Set part number	Motor model number	Motor length : mm (inch)	Cable type
Unipolar	DU16H711 △	103H7121-04 △ 0	41.8 (1.65)	Lead wire
	DU16H713 △	103H7123-04 △ 0	53.8 (2.12)	Lead wire
	DU16H716 △	103H7126-04 △ 0	75.8 (2.98)	Lead wire
	—	103H7121-01 △ 0	41.8 (1.65)	Lead wire
	—	103H7121-07 △ 0	41.8 (1.65)	Lead wire
	—	103H7123-01 △ 0	53.8 (2.12)	Lead wire
	—	103H7123-07 △ 0	53.8 (2.12)	Lead wire
	—	103H7124-01 △ 0	63.8 (2.51)	Lead wire
	—	103H7124-04 △ 0	63.8 (2.51)	Lead wire
	—	103H7124-07 △ 0	63.8 (2.51)	Lead wire
	—	103H7126-01 △ 0	75.8 (2.98)	Lead wire
	—	103H7126-07 △ 0	75.8 (2.98)	Lead wire

### 56mm (2.20inch)



Lead wire type

	Set part number	Motor model number	Motor length : mm (inch)	Cable type
Unipolar	—	103H7121-61 △ 0	41.8 (1.65)	Lead wire (CE)
	—	103H7121-67 △ 0	41.8 (1.65)	Lead wire (CE)
	—	103H7123-61 △ 0	53.8 (2.12)	Lead wire (CE)
	—	103H7123-67 △ 0	53.8 (2.12)	Lead wire (CE)
	—	103H7126-61 △ 0	75.8 (2.98)	Lead wire (CE)
	—	103H7126-67 △ 0	75.8 (2.98)	Lead wire (CE)

Model number	Shaft diameter(D)	Dcut thickness(L)
103H7121-□□□□	φ 6.35	5.8
103H7123-□□□□		
103H7126-□□□□		
103H7128-□□□□	φ 8	7.5

#### △ : Motor shaft specification code

Motor shaft spec	Set type code	Motor type code
Single shaft	S	4
Double shafts	D	1

#### ▽ : Motor shaft specification code

Motor shaft spec	Set type code	Motor type code
Single shaft	S	7
Double shafts	D	3