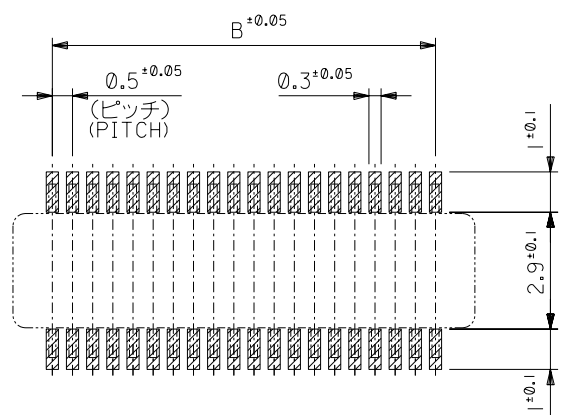
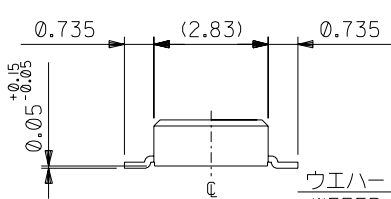
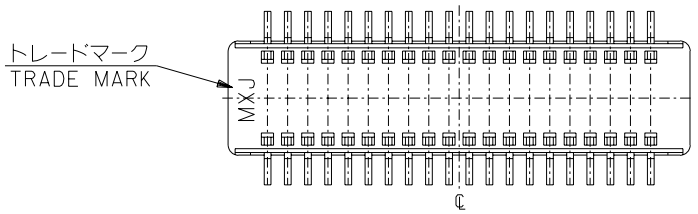
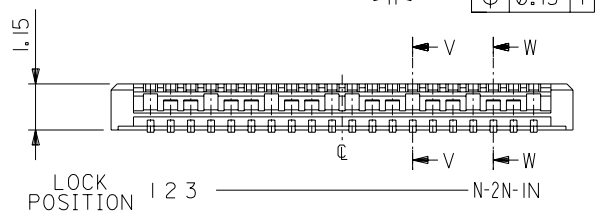
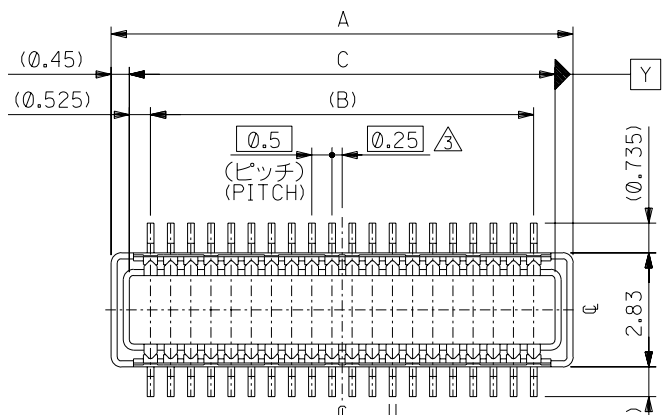


DWG. NO. SD-55560-006



参考基板レイアウト (マウント面)

P.C. BOARD PATTERN DIMENSION (REF.) (MOUNTING AREA)



SECT.W-W (LOCK PART)

SECT.V-V (W/O LOCK PART)

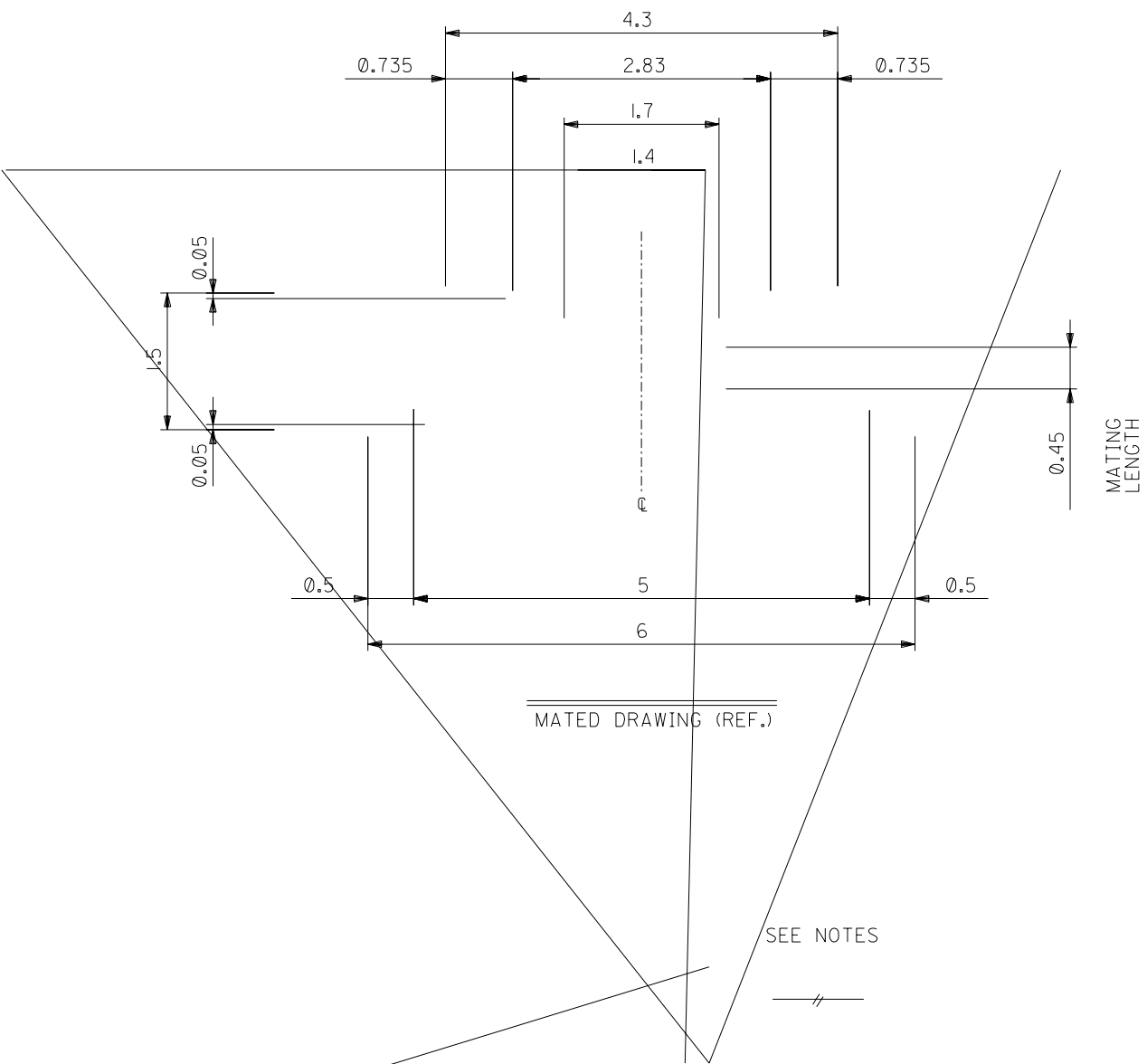
NON	20.55	19.5	21.45	55560-0801	80
10,21	15.55	14.5	16.45	-0601	60
2,4,8,10,16,18,22,24	13.05	12.0	13.95	-0501	50
2,4,8,10,14,16,20,22	12.05	11.0	12.95	-0461	46
2,3,5,6,8,9,12,13,15,16,18,19	10.55	9.5	11.45	-0401	40
2,3,4,5,7,8,9,10,11,13,14,15,16	9.05	8.0	9.95	-0341	34
ALL	8.05	7.0	8.95	-0301	30
	6.55	5.5	7.45	-0241	24
	6.05	5.0	6.95	-0221	22
	5.55	4.5	6.45	-0201	20
4.55	3.5	5.45	55560-0161	16	
LOCK POSITION	C	B	A	MATERIAL NO.	極数 CIRCUIT

DO NOT SCALE DRAWING

64 NO. DRWN: CH'K: APPR: 63 NO. DRWN: CH'K: APPR: REVISED 62 NO. J2003-2517 DRWN: S.AIHARA '03/03/31 CH'K: M.SASAO APPR: M.SASAO G REVISED 61 NO. J2003-1929 DRWN: T.YASUI '03/11/23 CH'K: T.IITO APPR: T.IITO F REVISED 60 NO. J2003-1468 DRWN: T.YASUI '02/11/25 CH'K: T.IITO APPR: T.YAMAGUCHI E REV DESCRIPTION MATERIAL 材料 FINISH 仕上げ WIRE RANGE 適用線径範囲 INS. RANGE 被覆外径	注記参照 SEE NOTES // // //
---	-------------------------------------

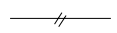
GENERAL TOLERANCES: (UNLESS SPECIFIED) 一般公差 10 UNDER 未満 ±0.2 10 OVER 30 UNDER 未満 ±0.25 30 OVER 以上 ±0.3 ANGLE 角度 ±3°	MODEL NO. 55560-***I SCALE 1/1 DESIGN UNITS <input checked="" type="checkbox"/> mm <input type="checkbox"/> INCH DRAWN BY & DATE S.AIHARA '00/10/5 CHECKED BY & DATE M.SASAO '03/03/31 APPROVED BY & DATE M.SASAO '03/03/31 CAD FILENAME 55560006.S01	DIMENSIONS: <input type="checkbox"/> mm <input type="checkbox"/> INCH <input checked="" type="checkbox"/> mm ONLY SHT 1 REV CAD ONLY	TITLE: 0.5 B-To-B Conn PLUG Assy(Hgt=1.5mm)	MOLEX MOLEX INCORPORATED MATERIAL NO. SEE CHART DRAWING NO. SD-55560-006 SHEET NO. 1 OF 2
---	--	---	--	--

THIS DRAWING CONTAINS INFORMATION THAT IS PROPRIETARY TO MOLEX INCORPORATED AND SHOULD NOT BE USED WITHOUT WRITTEN PERMISSION.



MATED DRAWING (REF.)

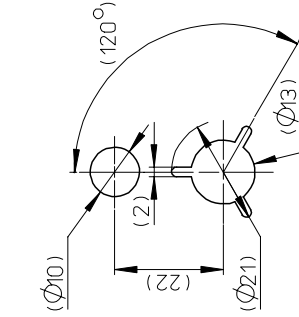
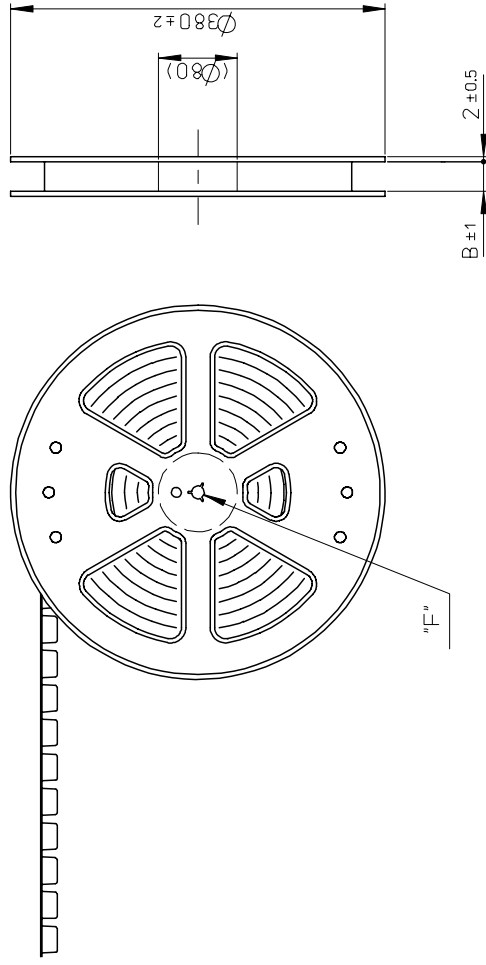
SEE NOTES



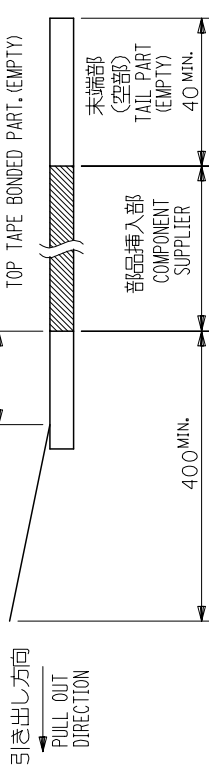
10 9 8 7 6 5 4 3 2 1

NOTES

1. 製品詳細寸法については図面 SD-55560-006 を参照下さい。
RE DETAILED DIMENSION, SEE SD-55560-006
2. 梱包数量：3000個/リール
NUMBER OF CONNECTORS : 3000PCS/REEL
3. リードテープ長さリードテープ長さ
20PCS. MIN. トップテープ接着部 (空インボス)



DETAIL "F"



4. トップテープの剥離強度：0.1N ~ 0.7N(10.2gf ~ 71.4gf)
(剥離方向は下図参照)
尚、本規格値は出荷時に適用。(但し、輸送時に剥離が発生しないこと。)
PEELING OFF FORCE OF TOP TAPE : 0.1N ~ 0.7N(10.2gf ~ 71.4gf)
(PEELING DIRECTION AS SHOWN IN FOLLOWING FIG.)
THIS REQUIREMENT SHOULD BE APPLIED AT SHIPMENT.
PEEL OFF SHOULD NOT BE ALLOWED, DURING TRANSPORTATION.

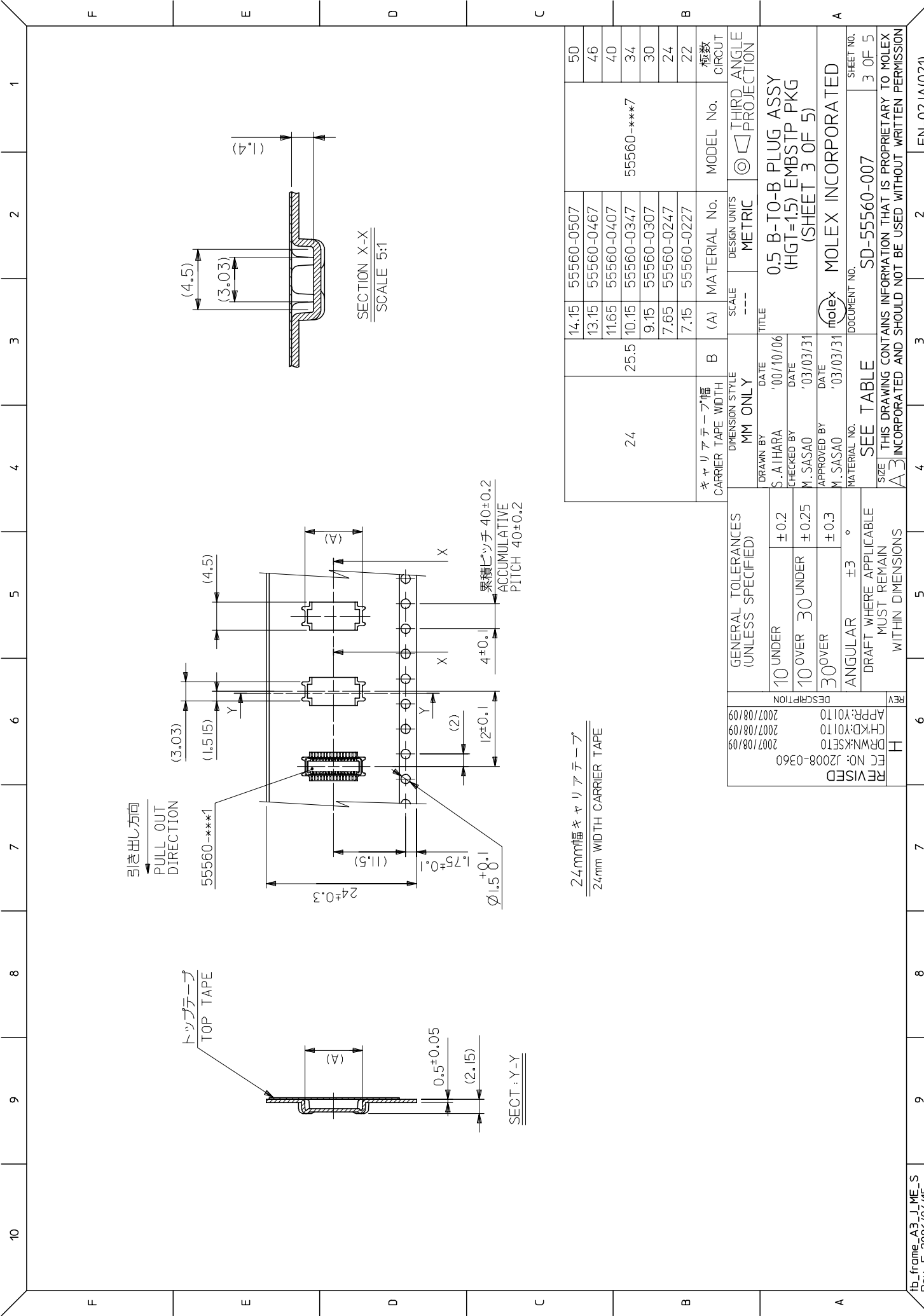


5. 材料
キャリアテープ：ポリプロピレン (PP)
トップテープ：PET, PE, PEF
リール：ポリスチレン (PS) <リサイクル材を含む>

MATERIAL CARRIER TAPE: POLYPROPYLENE
TOP TAPE: PET, PE, PEF
REEL: POLYSTYRENE (PS)
<RECYCLE MATERIAL CONTAINED>

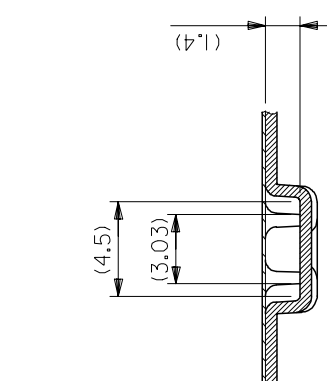
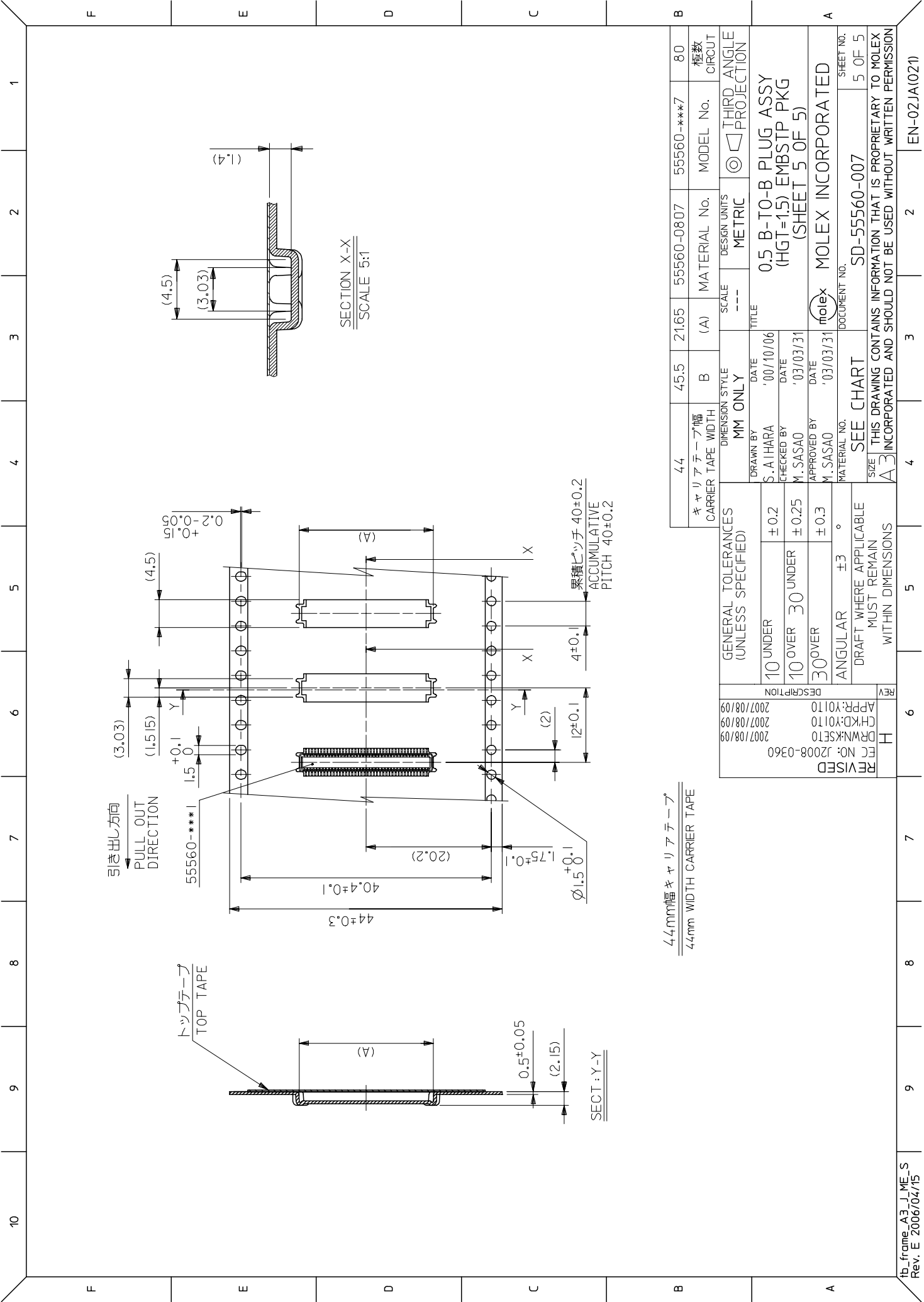
DIMENSION STYLE	SCALE	DESIGN UNITS	THIRD ANGLE
MM ONLY	---	METRIC	PROJECTION
DRAWN BY			
S. AIHARA	'00/10/06		
CHECKED BY	DATE		
M. SASAO	'03/03/31		
APPROVED BY	DATE		
M. SASAO	'03/03/31		
MATERIAL NO.	DOCUMENT NO.		
SEE CHART			
0.5 B-TO-B PLUG ASSY (HGT=1.5) EMBSTP PKG (SHEET 1 OF 5)			
MOLEX INCORPORATED SHEET NO. SD-55560-007 1 OF 5			
THIS DRAWING CONTAINS INFORMATION THAT IS PROPRIETARY TO MOLEX INCORPORATED AND SHOULD NOT BE USED WITHOUT WRITTEN PERMISSION			

REVISED



24mm幅 キャリアテープ
24mm WIDTH CARRIER TAPE

24	25.5	10.15	55560-0347	55560-0307	7.65	55560-0247	7.15	55560-0227	MODEL No.	55560-***7	14.15	55560-0507	50
											13.15	55560-0467	46
											11.65	55560-0407	40
											9.15	55560-0307	34
											7.65	55560-0247	30
											7.15	55560-0227	24
													22
													極数 CIRCUT
キャリアテープ幅 CARRIER TAPE WIDTH	B	(A)	MATERIAL No.	MODEL No.	SCALE	DESIGN UNITS	THIRD ANGLE PROJECTION						
DIMENSION STYLE	MM ONLY	TITLE	0.5 B-T0-B PLUG ASSY (HGT=1.5) EMBSTP PKG (SHEET 3 OF 5)										
DRAWN BY	S. AIHARA	DATE	'00/10/06										
CHECKED BY	M. SASAO	DATE	'03/03/31										
APPROVED BY	M. SASAO	DATE	'03/03/31										
MATERIAL No.	SEE TABLE	DOCUMENT No.	SD-55560-007										
GENERAL TOLERANCES (UNLESS SPECIFIED)	10 UNDER ±0.2												
	10 OVER 30 UNDER ±0.25												
	30 OVER ±0.3												
ANGULAR	±3 °												
DRAFT WHERE APPLICABLE MUST REMAIN WITHIN DIMENSIONS													
DESCRIPTION	REVISED FC NO: J2008-0360 DRW/K:SET0 CHKD:Y01T0 APR:Y01T0 2007/08/09												
REV	H												
THIS DRAWING CONTAINS INFORMATION THAT IS PROPRIETARY TO MOLEX INCORPORATED AND SHOULD NOT BE USED WITHOUT WRITTEN PERMISSION													
SHEET NO.			3 OF 5										
DOCUMENT No.			SD-55560-007										
MOLEX INCORPORATED													
EN-02JA(021)													



44mm幅キャリアテープ
44mm WIDTH CARRIER TAPE

44	キャリアテープ幅 CARRIER TAPE WIDTH	45.5	21.65	55560-0807	55560-***7	80
	極数 CIRCUT					
	MODEL No.					
	MATERIAL No.					
	DESIGN UNITS					
	METRIC					
	SCALE					

	TITLE					
	0.5 B-T0-B PLUG ASSY (HGT=1.5) EMBSTP PKG (SHEET 5 OF 5)					
	THIRD ANGLE PROJECTION					
	DRAWN BY					
	S. AIHARA					
	DATE					
	'00/10/06					
	CHECKED BY					
	M. SASAO					
	DATE					
	'03/03/31					
	APPROVED BY					
	M. SASAO					
	DATE					
	'03/03/31					
	MATERIAL No.					
	SEE CHART					
	DOCUMENT No.					
	SD-55560-007					
	SHEET No.					
	5 OF 5					
	THIS DRAWING CONTAINS INFORMATION THAT IS PROPRIETARY TO MOLEX AND SHOULD NOT BE USED WITHOUT WRITTEN PERMISSION					
	INCORPORATED					
	MOLEX INCORPORATED					
	2					
	3					
	4					
	5					
	6					
	7					
	8					
	9					
	10					

GENERAL TOLERANCES (UNLESS SPECIFIED)	10 UNDER ± 0.2	10 OVER 30 UNDER ± 0.25	30 OVER ± 0.3	ANGULAR ± 3 °
DRAFT WHERE APPLICABLE MUST REMAIN WITHIN DIMENSIONS				
DESCRIPTION	REV			
FC NO: J2008-0360	REVISED			
DRW:K:SETO				
CHK:D:Y0110				
APP:Y0110				
2007/08/09				
2007/08/09				
2007/08/09				