

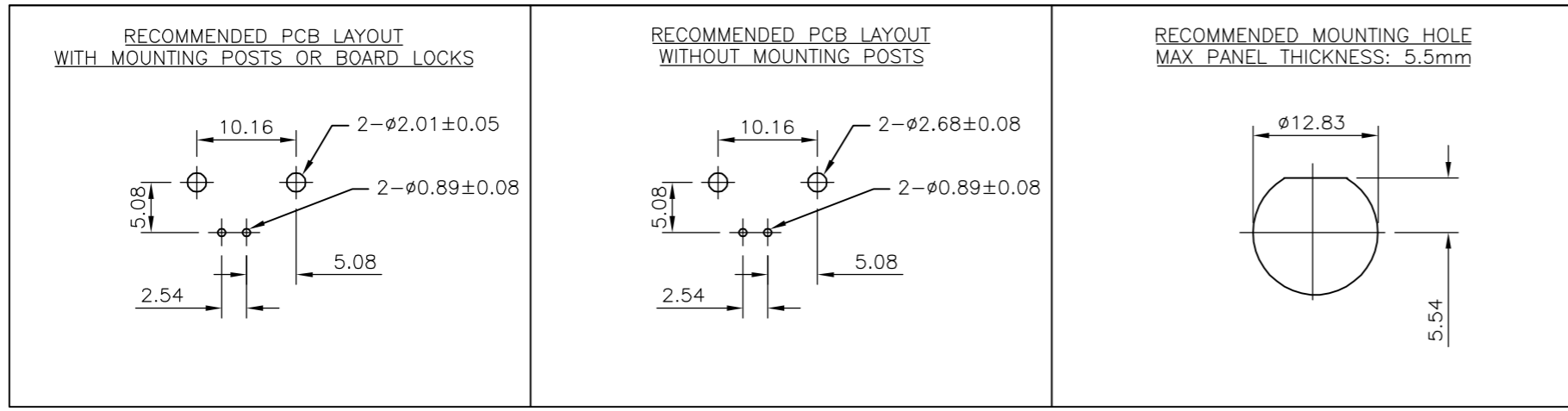
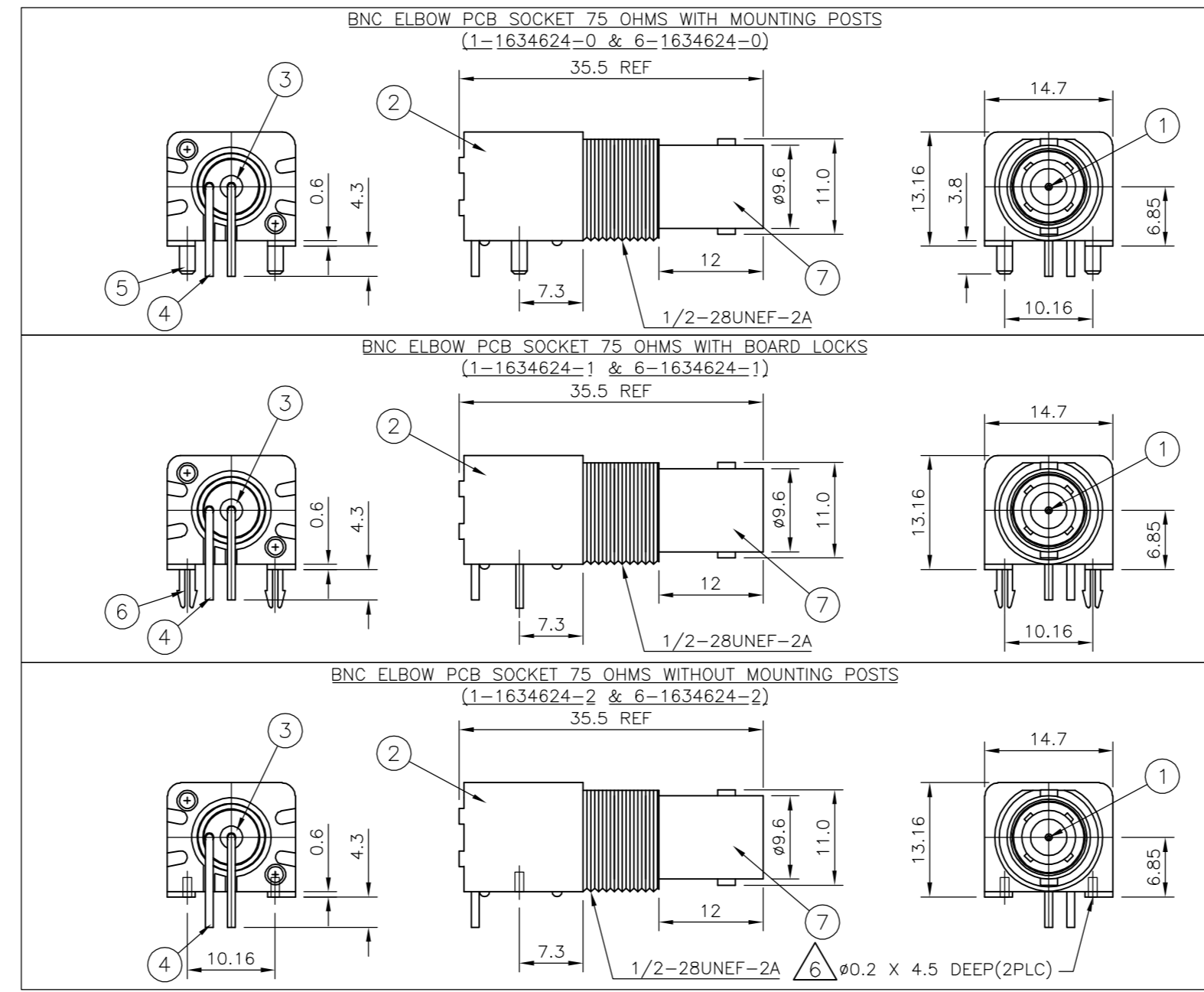
THIS DRAWING IS UNPUBLISHED. RELEASED FOR PUBLICATION AUGUST, 2005.
 © COPYRIGHT 2005 BY TYCO ELECTRONICS CORPORATION. ALL RIGHTS RESERVED.

LOC	DIST	REVISIONS					
		P	LTR	DESCRIPTION	DATE	DWN	APVD
E	B		A	FIRST ISSUE	17AUG05	JMS	FWK

- NOTES:
1. SINGLE PACK IN ACCORDANCE WITH AMP SPEC 107-3275
 2. 50 TRAY PACK IN ACCORDANCE WITH AMP SPEC 107-3275
 3. Au PLATING OVER Ni PLATING OVER Cu PLATING
 4. Ni PLATING OVER Cu PLATING
 5. TIN PLATING
 6. RECOMMENDED SELF-TAPPING SCREW 221108-4
 7. RECOMMENDED MOUNT NUT 1-1634816-0
 8. RECOMMENDED LOCKWASHER 1-1634817-0
 9. CHARACTERISTICS

FREQUENCY RANGE:	DC-2GHz
NOMINAL IMPEDANCE:	75 OHMS
WORKING VOLTAGE:	500V RMS
INSULATION RESISTANCE:	5000 MOHMS
DIELECTRIC WITHSTAND VOLTAGE:	1500V RMS
CONTACT RESISTANCE:	
CENTRE CONTACT	1.5 mOHMS
OUTER CONTACT	0.2 mOHMS
 10. MECHANICAL CHARACTERISTICS

DURABILITY:	50 CYCLES
-------------	-----------
 11. FOR TECHNICAL DATA REFER TO YOUR LOCAL TYCO ELECTRONICS SALES OFFICE
 12. ALL DIMENSIONS ARE NOMINAL FOR REFERENCE ONLY UNLESS OTHERWISE STATED



QTY	DESCRIPTION	MATERIAL	ITEM			
1	1	1	1	ZINC DIECAST	BOARD LOCK	7
-	-	2	-	BRASS	BOARD LOCK	6
-	-	-	2	BRASS	MOUNTING POST	5
1	1	1	1	BRASS	SOLDER TAIL	4
1	1	1	1	PE-606	INSULATOR	3
1	1	1	1	PBT BLACK	HOUSING	2
1	1	1	1	BRASS	CONTACT	1
6--2	1--2	6--1	1--1	6--0	1--0	

THIS DRAWING IS A CONTROLLED DOCUMENT.

DWN	J.SANDWELL	17AUG05
CHK	S.PARLOW	17AUG05
APVD	F.WHEELER-KING	17AUG05

NAME: J.SANDWELL
 PRODUCT SPEC: 108-3435
 APPLICATION SPEC: N/A
 MATERIAL: SEE TABLE
 FINISH: SEE TABLE

TOLERANCES UNLESS OTHERWISE SPECIFIED:
 0 PLC ±
 1 PLC ±
 2 PLC ±
 3 PLC ±
 4 PLC ±
 ANGLES ±

SIZE	CAGE CODE	DRAWING NO	RESTRICTED TO
A2	00779	C=1634624	-

CUSTOMER DRAWING
 SCALE: NTS
 SHEET: 1 OF 1
 REV: A