

4

3

2

1

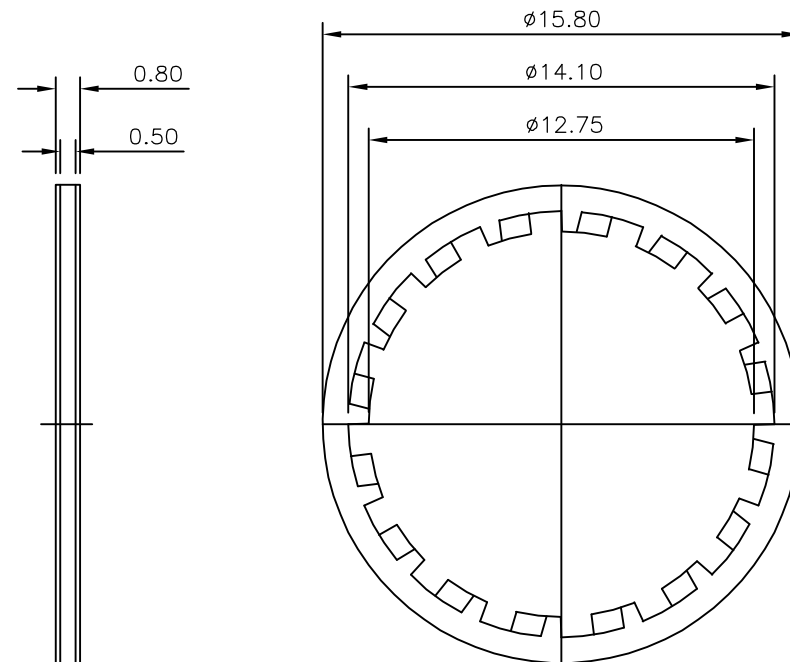
THIS DRAWING IS UNPUBLISHED. RELEASED FOR PUBLICATION JUNE , 2005.

© COPYRIGHT 2005 BY TYCO ELECTRONICS CORPORATION. ALL RIGHTS RESERVED.

LOC	DIST	REVISIONS			
P	LTR	DESCRIPTION	DATE	DWN	APVD
E	B	A	FIRST ISSUE	28JUN05	JS FWK

NOTES

- ① SINGLE PACK IN ACCORDANCE WITH AMP SPEC 107-3275
- ② Ni PLATING OVER Cu PLATING
- 3 FOR TECHNICAL DATA REFER TO YOUR LOCAL TYCO ELECTRONICS SALES OFFICE.
- 4 ALL DIMENSIONS ARE NOMINAL FOR REFERENCE ONLY UNLESS OTHERWISE STATED.



1	STEEL	②	LOCK WASHER
1--0	MATERIAL		DESCRIPTION
①	PARTS LIST		

THIS DRAWING IS A CONTROLLED DOCUMENT.		DWN J.SANDWELL 28JUN05	Tyco Electronics Corporation Bideford, UK, EX39 4HE	
DIMENSIONS: MM	TOLERANCES UNLESS OTHERWISE SPECIFIED:	CHK S.PARLOW 28JUN05	NAME BNC/TNC LOCKWASHER	
	0 PLC ± - 1 PLC ± - 2 PLC ± - 3 PLC ± - 4 PLC ± - ANGLES ± -	APVD F.WHEELER-KING 28JUN05	SIZE A3	CAGE CODE 00779
MATERIAL SEE TABLE	FINISH SEE TABLE	PRODUCT SPEC -	DRAWING NO C-1634817	RESTRICTED TO -
CUSTOMER DRAWING			SCALE NTS	SHEET 1 OF 1 REV A