

# Ledex® Box Frame Size B11 — DC Operation

Part Number: B11 - XXX - M- 36

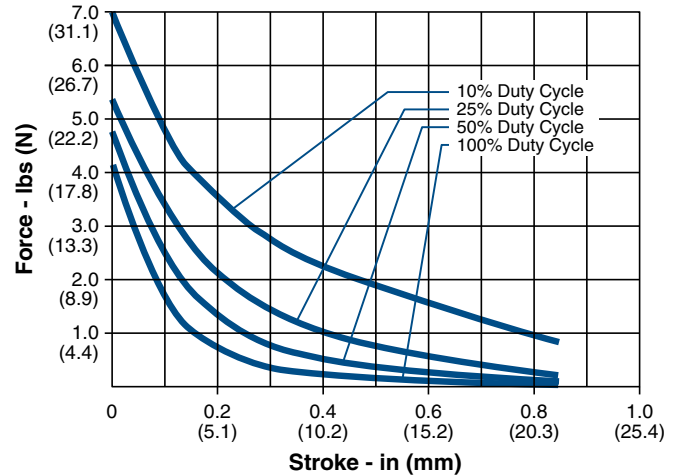
All catalog products manufactured after April 1, 2006 are RoHS Compliant

Select from performance chart below

## Specifications

Operation	Pull
Dielectric Strength	1500 VRMS for one second
Continuous Duty Cycle	100% at 20°C ambient temperature
Intermittent Duty Cycle	See below
Holding Force	3.5 lbs (15.5 N) at 20°C
Coil Insulation	Class "A": 105°C max. temperature standard. Other temperature classes are available
Coil Termination	3/16" QC
Plunger Weight	0.6 oz. (17.0 g)
Total Weight	5.1 oz. (144.5 g)
Dimensions	See page H34

## Typical Force @ 20°C



## Performance

Maximum Duty Cycle	100%	50%	25%	10%
Maximum ON Time (sec) when pulsed continuously	∞	50	16	6
Maximum ON Time (sec) for single pulse	∞	450	172	53
Watts (@ 20°C)	8.5	17	34	85
Ampere Turns (@ 20°C)	1317	1866	2634	4170

Coil Data						
Part Number	Resistance (@20°C)	Ref # Turns	VDC (Nom)	VDC (Nom)	VDC (Nom)	VDC (Nom)
B11-255-M-36	4.12	916	6	8.5	12	19
B11-254-M-36	17.26	1783	12	17	24	38
B11-253-M-36	65.76	3601	24	34	48	76
B11-252-M-36	253.51	6930	48	68	96	152
B11-251-M-36	1538	16548	120	161	229	361

## NOTES:

- All data is typical.
- Force testing is done with the solenoid in the horizontal position.
- All data reflects operation with no heatsink.
- Magnetic latching versions available. Pull versions standard; push versions available.
- Other coil terminations available.

## How to Order

Select the part number from the table provided. (For example, to order a 25% duty cycle unit rated at 48 VDC, specify B11-253-M-36.

Please see [www.ledex.com](http://www.ledex.com) (click on Stock Products tab) for our list of stock products available through our North American distributors.

LINEAR Open Frame

Force values for reference only.

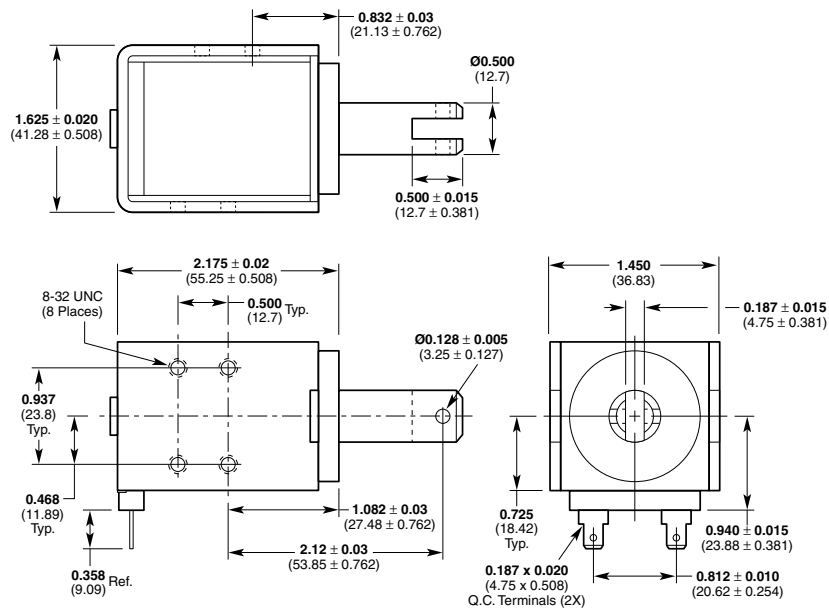
All specifications subject to change without notice.

# Ledex® Box Frame Dimensions

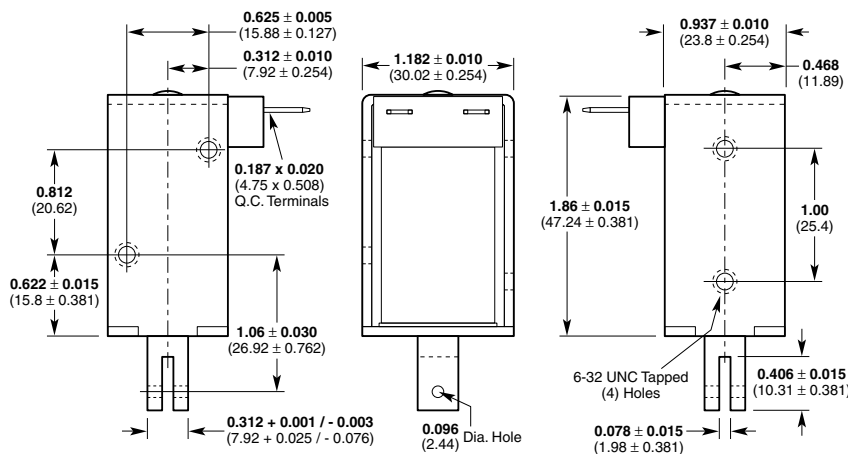
Inches (mm)

All solenoids are illustrated in energized state

## B4HD



## B11



LINEAR Open Frame

All specifications subject to change without notice.