




PM115-115-1238BT-4 PM115-230-1238BT-4

Features

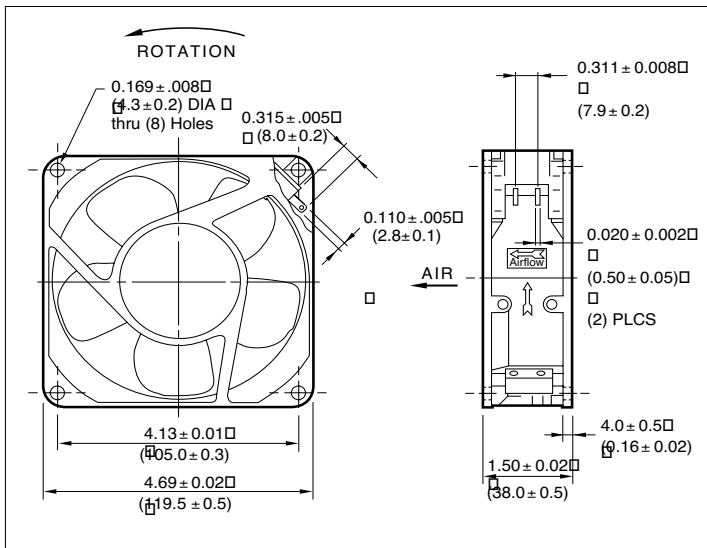
Size:	120 x 120 x 38 mm (4.7" x 4.7" x 1.5")
Airflow:	115 CFM
Weight:	550 grams (20 oz)
Terminal:	0.120 inches
Impeller:	Reinforced Plastic (UL94V-0)
Frame:	Aluminum Alloy
Bearings:	Sealed Ball

 UL E101153

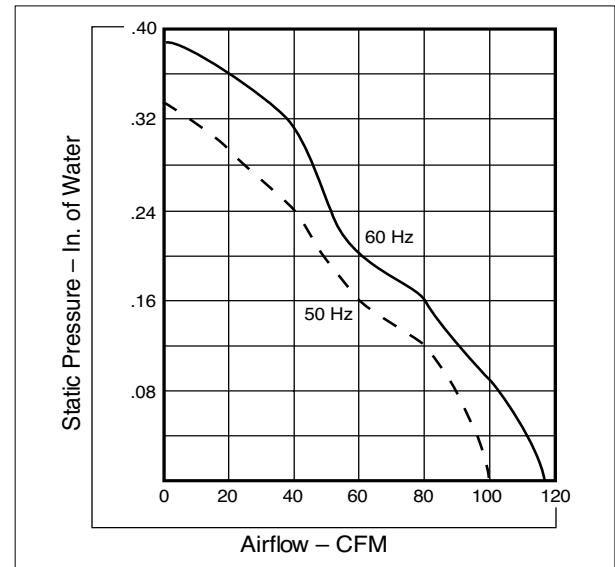
 CUL E101153

• RoHS Compliant

Dimensions – inches mm



Air Flow vs Air Pressure



Performance

Type	Rated Voltage (V)	Operating Frequency (Hz)	Input Power (W) (@ 60 Hz)	Max Air Flow (CFM)	Max Air Pressure (In H ₂ O)	Noise* (dBA)	Operating Temperature (°C)	Life Expectancy (Hr) (@ 20°C ±15)
PM115-115-1238BT-4	115	50/60	20.0	115	0.38	49	-20 ~ +85	60,000
PM115-230-1238BT-4	230	50/60	20.0	115	0.38	49	-20~ +85	60,000

*Measured 1 m from intake

Product specifications contained herein may be changed without prior notice.

It is therefore advisable to contact Purdy Electronics before proceeding with the design of equipment incorporating this product.