
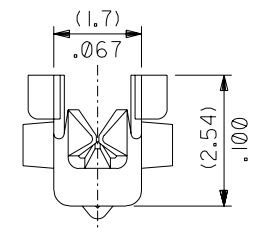
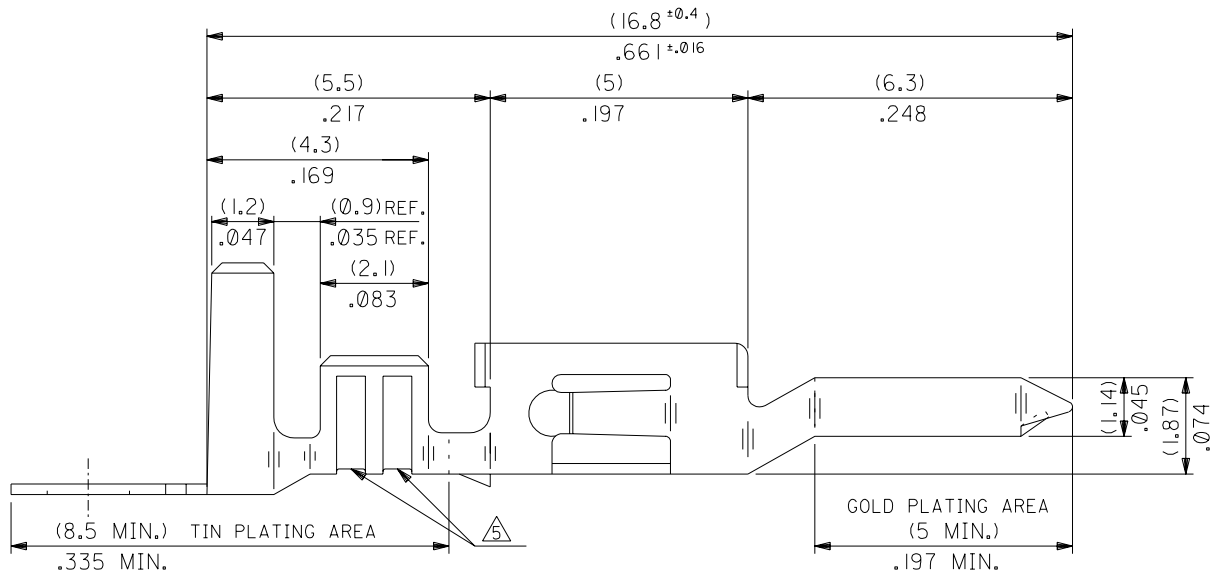
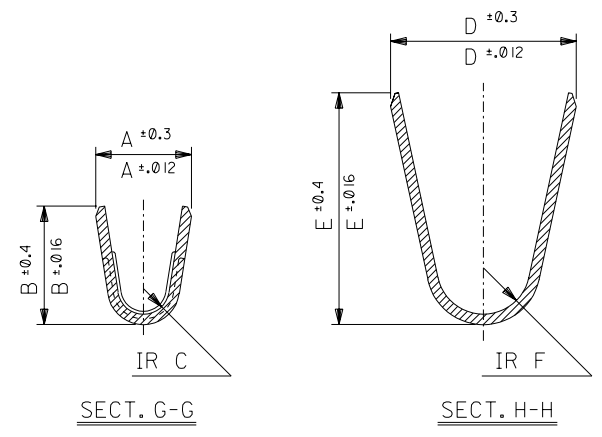
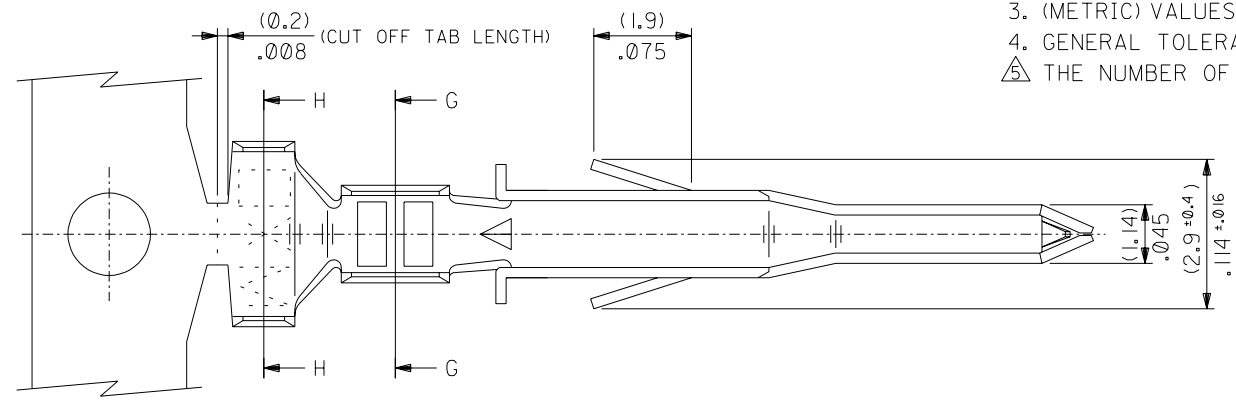



- NOTES
1. APPLICABLE HOUSING : 5559 SERIES
 2. MATES WITH TERMINAL : 5556 SERIES
 3. (METRIC) VALUES SHOWN GOVERN OVER ENGLISH CONVERSION VALUES.
 4. GENERAL TOLERANCES OF ENGLISH CONVERSION VALUES : $\pm .008$ INCH
-  THE NUMBER OF SERRATIONS TO BE ONE FOR WIRE RANGE #22-28.



				材料 MATERIAL		SEE SHEET 2 OF 2	 MOLEX-JAPAN CO.,LTD. 日本モレックス株式会社	
				仕上げ FINISH		SEE SHEET 2 OF 2	EDP. NO.	
				適用電線範囲 WIRE RANGE		SEE SHEET 2 OF 2	SEE SHEET 2 OF 2	
				被覆外径 INS. RANGE		SEE SHEET 2 OF 2	ENG. NO. SHEET 1 OF 2	
				DRAWN BY '91/3/13		CHK'D BY '92/05/21	REV	
				H.HIRAMOTO		M.FUKUSHIMA	D	
				APP'D BY '92/05/21		尺度 SCALE 10 - 1	TITLE 名称	
				M.ENOMOTO			NEW MINI. FIT CONN. CRIMP PIN -LEAD FREE-	
角度 ANGLE	$\pm 3^\circ$	D	REVISED (J2004-3266)	Y.S. K.T.	'04/4/8			
30 以上 OVER	± 0.3	C	REVISED (J10381)	H.H	'91/6/25			
10 以上 OVER 30 未満 UNDER	± 0.25	B	REVISED & REDRAWN (J10202)	H.H	'91/4/27			
10 未満 UNDER	± 0.2	記号 LTR	変更内容 REVISION RECORD	DR. CHK.	日付 DATE			
一般公差 GENERAL TOLERANCES		REVISE ONLY ON CAD SYSTEM						

ENG. NO
SD-5558**GS**

SEE CHART

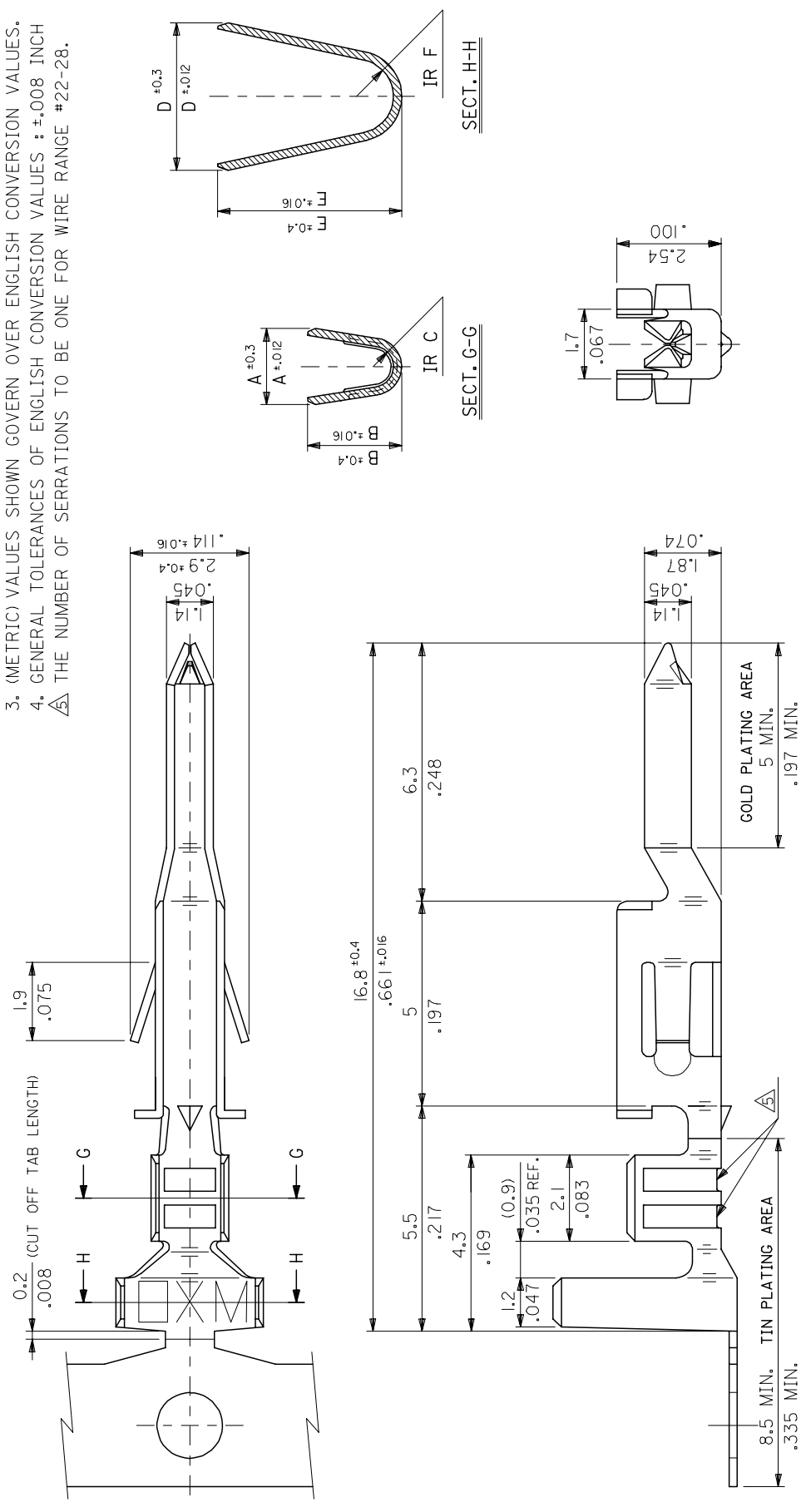
DIMENSIONS IN METRIC DO NOT SCALE DRAWING

8 7 6 5 4 3 2 1

MATERIAL	FINISH	F	E	D	C	B	A	INS. RANGE	WIRE RANGE	EDP NO.	MATERIAL NO.	FORM
PHOSPHOR BRONZE	SELECTIVE GOLD (0.76μm)/30m.i. MIN. AND SELECTIVE TIN (2.03μm)/80m.i. MIN. OVER NICKEL (1.27μm)/50m.i. MIN.	(0.9) .035	(4.5) .177	(3.6) .142	(0.6) .024	(2.7) .106	(2.3) .091	∅ (3.1) .122 MAX.	# 16	39-00-0224	5558 PBGS3L	LOOSE
		(0.6) .024	(2.3) .091	(2.3) .091	(0.4) .016	(1.65) .065	(1.8) .071	∅ (0.9-1.8) .035-.071	#22-28	-0223	PBGS3	CHAIN
		(0.9) .035	(4.5) .177	(3.6) .142	(0.5) .020	(2.3) .091	(1.9) .075	∅ (1.3-3.1) .051-.122	# 18-24	-0222	PBGS2L	LOOSE
										-0221	PBGS2	CHAIN
										-0220	PBGS1	LOOSE
										-0219	PBGS	CHAIN
										-0148	GS9L	LOOSE
										-0147	GS9	CHAIN
										-0146	GS8L	LOOSE
BRASS	SELECTIVE GOLD (1.27μm)/50m.i. MIN. AND SELECTIVE TIN (2.54μm)/100m.i. MIN. OVER NICKEL (1.27μm)/50m.i. MIN.	(0.9) .035	(4.5) .177	(3.6) .142	(0.6) .024	(2.7) .106	(2.3) .091	∅ (3.1) .122 MAX.	# 16	39-00-0145	GS8	CHAIN
		(0.6) .024	(2.3) .091	(2.3) .091	(0.4) .016	(1.65) .065	(1.8) .071	∅ (0.9-1.8) .035-.071	#22-28	40-13-0854	GS7L	LOOSE
		(0.9) .035	(4.5) .177	(3.6) .142	(0.5) .020	(2.3) .091	(1.9) .075	∅ (1.3-3.1) .051-.122	# 18-24	40-13-0853	GS7	CHAIN
										39-00-0100	GS6L	LOOSE
										-0099	GS6	CHAIN
										-0098	GS5L	LOOSE
	SELECTIVE GOLD (0.38μm)/15m.i. MIN. AND SELECTIVE TIN (2.03μm)/80m.i. MIN. OVER NICKEL (1.27μm)/50m.i. MIN.	(0.6) .024	(2.3) .091	(2.3) .091	(0.4) .016	(1.65) .065	(1.8) .071	∅ (0.9-1.8) .035-.071	#22-28	-0097	GS5	CHAIN
		(0.9) .035	(4.5) .177	(3.6) .142	(0.5) .020	(2.3) .091	(1.9) .075	∅ (1.3-3.1) .051-.122	# 18-24	-0076	GS4L	LOOSE
										-0075	GS4	CHAIN
		(0.9) .035	(4.5) .177	(3.6) .142	(0.6) .024	(2.7) .106	(2.3) .091	∅ (3.1) .122 MAX.	# 16	-0096	GS3L	LOOSE
		(0.6) .024	(2.3) .091	(2.3) .091	(0.4) .016	(1.65) .065	(1.8) .071	∅ (0.9-1.8) .035-.071	#22-28	-0095	GS3	CHAIN
		(0.9) .035	(4.5) .177	(3.6) .142	(0.5) .020	(2.3) .091	(1.9) .075	∅ (1.3-3.1) .051-.122	# 18-24	-0433	GS2L7F	LOOSE
										-0432	GS27F	CHAIN
										-0431	GSL7F	LOOSE
										39-00-0430	5558 GS7F	CHAIN

材料 MATERIAL		SEE CHART		MOLEX-JAPAN CO.,LTD. 日本モレックス株式会社	
THICKNESS : (0.203)/.008				EDP. NO.	
仕上げ FINISH		SEE CHART		SEE CHART	
適用電線範囲 WIRE RANGE		SEE CHART		ENG. NO. SHEET 2 OF 2	
被覆外径 INS. RANGE		SEE CHART		SD-5558**GS**	
DRAWN BY '91/3/13 H.HIRAMOTO		CHK'D BY '92/05/21 M.FUKUSHIMA		TITLE 名称	
APP'D BY '92/05/21 M.ENOMOTO		尺 度		NEW MINI. FIT CONN. CRIMP PIN -LEAD FREE-	
角 度 ANGLE		+3°		D SEE SHEET 1 OF 2	
30 以上 OVER		+0.3		C SEE SHEET 1 OF 2	
10 以上 OVER 30 未 満 UNDER		+0.25		B SEE SHEET 1 OF 2	
10 未 満 UNDER		+0.2		記号 変更内容 REVISION RECORD	
一般公差 GENERAL TOLERANCES		REVISE ONLY ON CAD SYSTEM		DR. CHK. 日付 DATE	

- NOTES
1. APPLICABLE HOUSING : 5559 SERIES
 2. MATES WITH TERMINAL : 5556 SERIES
 3. (METRIC) VALUES SHOWN GOVERN OVER ENGLISH CONVERSION VALUES.
 4. GENERAL TOLERANCES OF ENGLISH CONVERSION VALUES : ±.008 INCH
- △ THE NUMBER OF SERRATIONS TO BE ONE FOR WIRE RANGE #22-28.



GENERAL TOLERANCES (UNLESS SPECIFIED)		SCALE	DESIGN UNITS	THIRD ANGLE PROJECTION
10 UNDER ±0.2	10 OVER 30 UNDER ±0.25	10:1	METRIC	NEW MINI FIT CONN CRIMP PIN -LEAD FREE-
30 OVER ±0.3	ANGULAR ±3°	TITLE		
DRAFT WHERE APPLICABLE MUST REMAIN WITHIN DIMENSIONS		DRAWN BY: H. HIRAMOTO DATE: '91/03/13		
		CHECKED BY: M. FUKUSHIMA DATE: '92/05/21		
		APPROVED BY: M. ENOMOTO DATE: '92/05/21		
		MATERIAL NO. SEE CHART		
		DOCUMENT NO. MOLEX INCORPORATED		
		SHEET NO. 1 OF 2		
		SD-5558-002		
		THIS DRAWING CONTAINS INFORMATION THAT IS PROPRIETARY TO MOLEX INCORPORATED AND SHOULD NOT BE USED WITHOUT WRITTEN PERMISSION		

