

THIN SHEET NUTSERT KIT

7488 SERIES

The Avdel Thin Sheet Nutsert Kit has been designed to enable Thin Sheet Nutserts to be placed quickly and easily by hand. (These kits will be invaluable to Plant and Maintenance Engineers for simple-on-the-spot assembly of threaded inserts of anchor nuts).

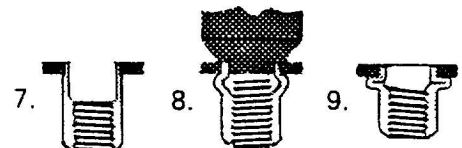
Each kit will contain a selection of Nutserts in metric sizes as stated in the parts list shown overleaf

Operating Instructions

1. Select the correct nose bush (12) and mandrel (13) for the Nutsert you want to place
2. Remove the spanner from the tool.
3. With tool in the open position screw in mandrel. (N.B. this is a left hand thread).
4. Tighten with spanner.
5. Screw the nose bush into the nose by hand.
6. Screw the Nutsert on to the protruding mandrel
7. Place Nutsert into prepared hole and squeeze handles.
8. On actuation, the tool pulls the threaded portion until the wall forms radially outwards, clenching it tight against the sheet
9. Release the handles and unscrew the Nutsert by rotating the knurled mandrel puller (3), at the rear of the tool until the mandrel is released.

The Thin Sheet Nutsert – A "One Piece" insert which has been developed specifically to give designers a strong, deep, vibration proof steel thread (with zinc plated finish) in thin sheet applications down to thickness of 0.020"

Placing sequence Thin Sheet Nutsert



Handtool Details

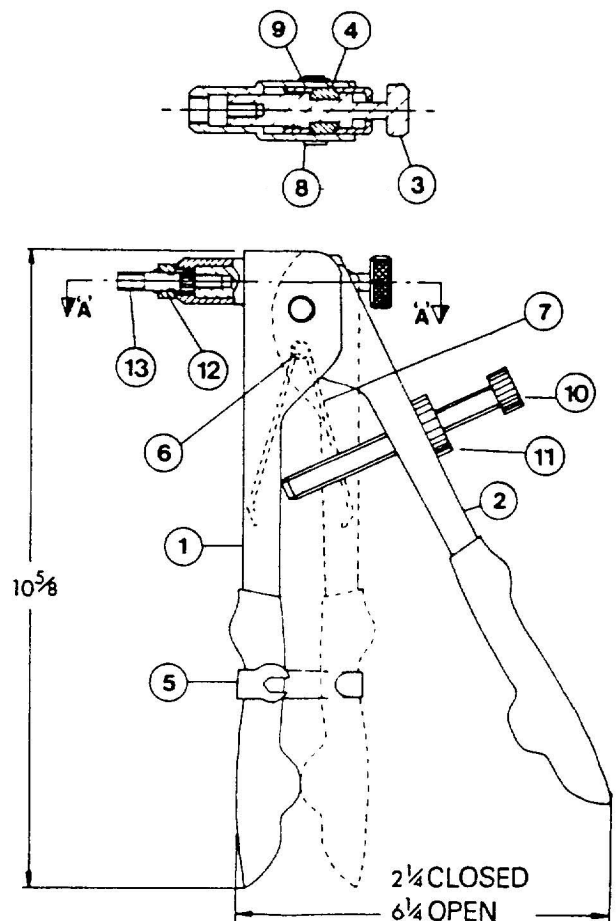
ITEM	PART No.	DESCRIPTION	OFF
1	8485-0201	Body Unit	1
2	8485-0202	Lever Unit	1
3	8485-0203	Mandrel Puller	1
4	8485-0204	Pivot Plugs	2
5	8485-0206	Spanner	1
6	8485-0207	Tension Pin	1
7	8485-0208	Return Spring	1
8	8485-0209	Pivot Pin	1
9	8485 0210	Circlip	1
10	8485-0211	Screw	1
11	8485-0212	Nut	1
12	See	Nose Bush	1
13	Note	Mandrel	1

THE LIMIT STOP SCREW

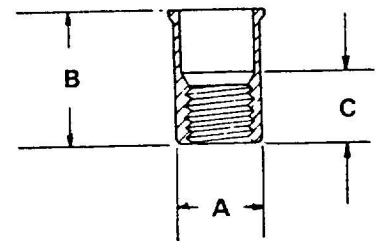
When installing Thin Sheet Nutserts it is advisable to use the Limit Stop Screw (see hand tool details for part numbers) the stop is assembled through the top lever of the tool using the outer-most hole from the front of the tool. Setting should be adjusted in connection with the fastener and sheet thickness by screwing the stop towards the lower handle until the installed fastener is just installed in the workpiece and no 'over-travel' exists which may cause thread stripping or mandrel breaking.

Once the limit screw is fitted it can remain in position for all sizes of Thin Sheet Nutserts to be installed. Once the required travel has been decided the stop screw should be locked by tightening the lock nut.

Note: Conversion kits shown in table overleaf consist of items 12 and 13



KIT PART No.	PART No.	DESCRIPTION	QTY.
7488-1000 Comprising:	7485-0200	Nutsert Lever Hand Tool Assembly	1
	7488-9480	4 mm Conversion Kit	1
	7488-9490	5 mm Conversion Kit	1
	7488-9500	6 mm Conversion Kit	1
	7488-9510	8 mm Conversion Kit	1
	9658-0413	4 mm Thin Sheet Nutsert	20
	9658-0514	5 mm Thin Sheet Nutsert	20
	9658-0619	6 mm Thin Sheet Nutsert	20
	9658-5821	8 mm Thin Sheet Nutsert	20
7488-1100 Comprising:	7485-0200	Nutsert Lever Hand Tool Assembly	1
	7488-9470	3 mm Conversion Kit	1
	7488-9480	4 mm Conversion Kit	1
	7488-9490	5 mm Conversion Kit	1
	7488-9500	6 mm Conversion Kit	1
	9678-0310	3 mm Thin Sheet Nutsert	20
	9658-0413	4 mm Thin Sheet Nutsert	20
	9658-0514	5 mm Thin Sheet Nutsert	20
	9658-0619	6 mm Thin Sheet Nutsert	20



HOLESIZE AND REQUIRED CLEARANCE DATA

Part No.	Thread Forms	Thread Size	Dimensions						Suggested Hole Size			
			Grip Range		A Max.		B Max.		C Max.			
			Ins	mm	Ins	mm	Ins	mm	Ins	mm		
9678-0310	M3 x 0.5	M3	.020	0.51	.186	4.73	.345	8.77	.205	5.21	.187	4.76
			.050	1.27					.1905	4.84		
9658-0413	M4 x 0.7	M4	.020	0.51	.249	6.32	.410	10.41	.250	6.35	.252	6.4
			.050	1.27								
9658-0514	M5 x 0.8	M5	.020	0.51	.280	7.11	.465	11.81	.240	6.10	.283	7.2
			.050	1.27								
9658-0619	M6 x 1.0	M6	.030	0.76	.374	9.50	.610	14.6	.335	8.51	.378	9.6
			.128	3.25								
9658-5821	M8 x 1.25	M8	.036	0.91	.416	10.57	.660	16.00	.365	9.27	.4205	10.68
			.128	3.25					.4175	10.60		

HAND RIVETING TOOLS – SAFETY INSTRUCTIONS

THIS TOOL SHALL ONLY BE USED IN INSTALL THE APPROPRIATE RANGE OF AVDEL FASTENERS. IT SHALL AT ALL TIMES BE OPERATED IN ACCORDANCE WITH RECOGNISED SAFE WORKSHOP PRACTICE. THE TOOL MUST BE MAINTAINED IN A SAFE WORKING CONDITION AT ALL TIMES.

DO NOT ATTEMPT TO DISMANTLE OR REPAIR TOOL WITHOUT REFERENCE TO THE DISMANTLING INSTRUCTIONS ISSUED BY THE MANUFACTURER. THE PRECAUTIONS TO BE OBSERVED WHEN USING THE TOOL MUST BE EXPLAINED BY THE CUSTOMER TO ALL OPERATORS.

THIS TOOL SHALL AT ALL TIMES BE OPERATED IN ACCORDANCE WITH RELEVANT HEALTH AND SAFETY LEGISLATION. IN THE UK THE HEALTH AND SAFETY AT WORK ETC. ACT 1974 APPLIES. SPECIFIC POINTS TO BE OBSERVED:—

1. Do not operate a tool that is directed towards any person(s).
2. No equipment shall be used with this tool other than recommended and supplied by Avdel.
3. Any modifications to tools and equipment undertaken by the customer shall be at his entire responsibility. Avdel will be pleased to advise upon any proposed modification.
4. Care must be taken not to trap fingers or clothing in moving parts of the tool.
5. Do not operate the tool with greasy or oily hands.

NOTE: Thin Sheet Nutserts can be used in thicker material providing installation and functional tests prove suitable.