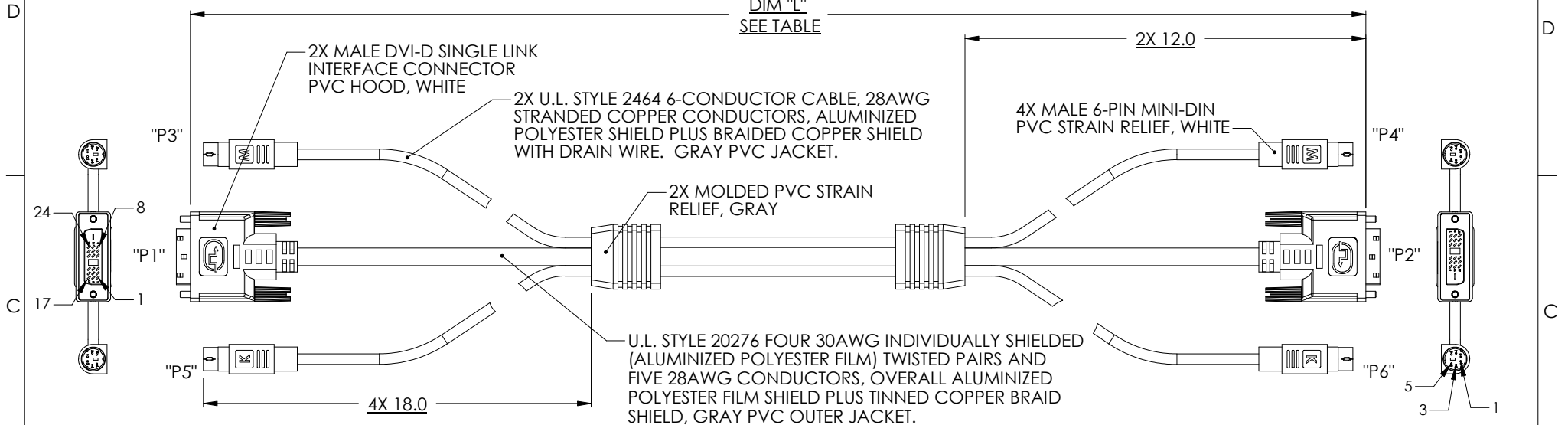


THE INFORMATION CONTAINED IN THIS DRAWING IS THE SOLE PROPERTY OF L-COM, INC. ANY REPRODUCTION IN PART OR WHOLE WITHOUT THE WRITTEN PERMISSION OF L-COM, INC. IS PROHIBITED.

REVISIONS			
REV	DESCRIPTION	DATE	APPROVED
A	INITIAL RELEASE	7/15/03	DFF

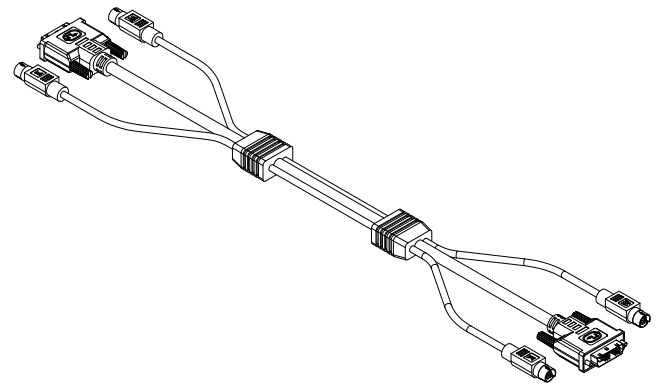


"P1"	"P2"	PAIRING	FUNCTION
PIN 19	PIN 19		PAIR 0 GROUND
PIN 18	PIN 18	PAIR 1	TX0+
PIN 17	PIN 17		TX0-
PIN 10	PIN 10	PAIR 2	TX1+
PIN 9	PIN 9		TX1-
PIN 11	PIN 11		PAIR 1 GROUND
PIN 15	PIN 15		LOGIC GROUND
PIN 14	PIN 14		PLUS 5V DC
PIN 2	PIN 2	PAIR 3	TX2+
PIN 1	PIN 1		TX2-
PIN 3	PIN 3		PAIR 2 GROUND
PIN 22	PIN 22		PAIR 4 GROUND
PIN 23	PIN 23	PAIR 4	TXC+
PIN 24	PIN 24		TXC-
PIN 16	PIN 16		HPD
PIN 7	PIN 7		DDC SBA
PIN 6	PIN 6		DDC SCL
SHELL	SHELL		SHIELD DRAIN WIRE

MODEL	DIM "L"	
	METERS	FEET
CTLKVM DVIM-2	2	6.6
CTLKVM DVIM-3	3	9.8
CTLKVM DVIM-5	5	16.4

MINI-DIN "A" WIRING TABLE		MINI-DIN "B" WIRING TABLE	
"P3" MINI DIN 6	"P4" MINI DIN 6	"P5" MINI DIN 6	"P6" MINI DIN 6
1	1	1	1
2	2	2	2
3	3	3	3
4	4	4	4
5	5	5	5
6	6	6	6
SHIELD	SHIELD	SHIELD	SHIELD

UNLESS OTHERWISE SPECIFIED, DIMENSIONS ARE IN INCHES. TOLERANCES ARE:  
 .X ±.1  
 .XX ±.05  
 .XXX ±.005  
 CABLE LENGTH TOLERANCE  
 <300" ±5% >300" ±2%



APPROVALS	DATE
DRAWN BY D. PARHAM	7/3/2003
CHECKED BY B. MAZEJKA	7/6/3/2003
APPROVED BY C. McCORMICK	7/3/2003

**L-com**  
CONNECTIVITY PRODUCTS

45 BEECHWOOD DRIVE  
NORTH ANDOVER, MA  
01845

PRODUCT DESCRIPTION  
**DVI-D KVM CABLE**

DRAWING TITLE  
**OUTLINE DRAWING**

SIZE **A** FSCM NO. **43321** DWG. NO. **CTLKVM DVIM-2-OD1** REV. **A**

SCALE: NONE CAD FILE: CTLKVM DVIM-2-OD1.SLDRW SHEET 1 OF 1