

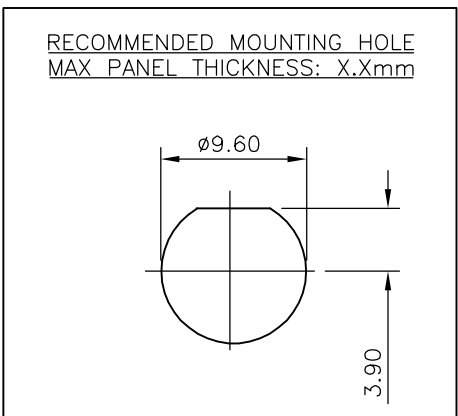
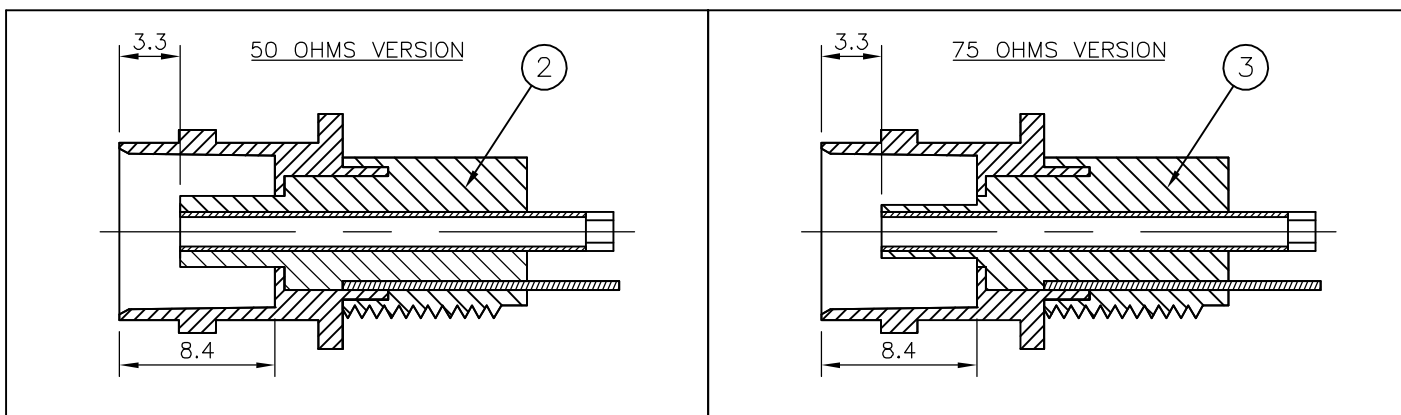
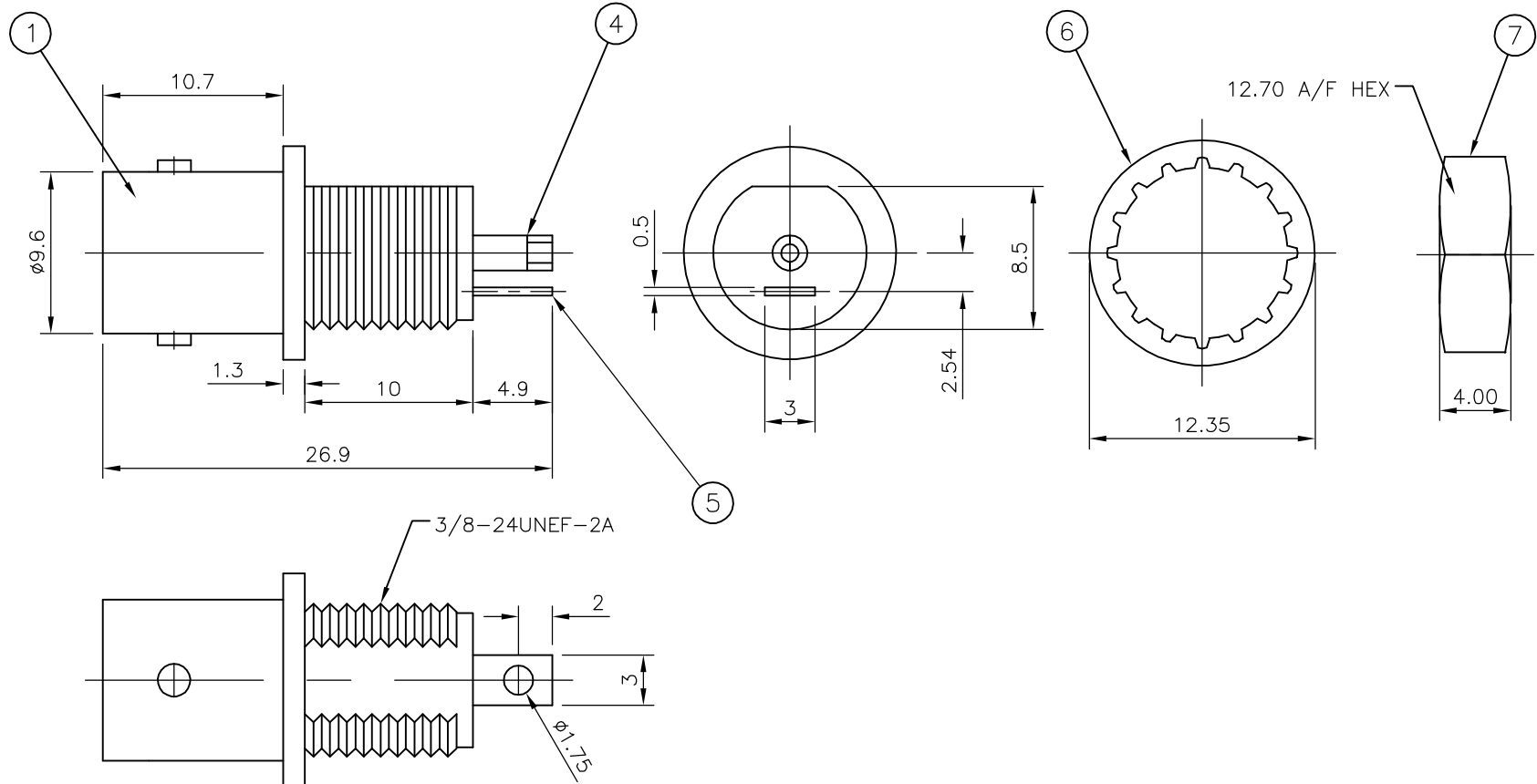
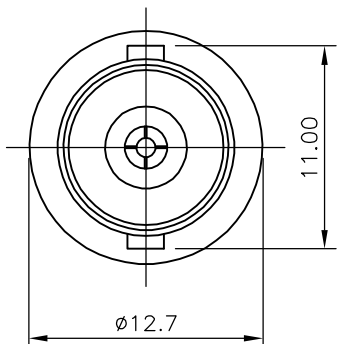
THIS DRAWING IS UNPUBLISHED. RELEASED FOR PUBLICATION AUGUST, 2005.

© COPYRIGHT 2005 BY TYCO ELECTRONICS CORPORATION. ALL RIGHTS RESERVED.

LOC	DIST	REVISIONS					
E	B	P	LTR	DESCRIPTION	DATE	DWN	APVD
		A		FIRST ISSUE	18AUG05	JMS	FWK

NOTES

- 1. 100 TRAY PACK IN ACCORDANCE WITH AMP SPEC 107-3275
- 2. SINGLE PACK IN ACCORDANCE WITH AMP SPEC 107-3275
- 3. Au PLATING OVER Ni PLATING OVER Cu PLATING
- 4. Ni PLATING OVER Cu PLATING
- 5. CHARACTERISTICS
 FREQUENCY RANGE (50 OHMS): DC-4GHz
 FREQUENCY RANGE (75 OHMS): DC-2GHz
 INSULATION RESISTANCE: 5000 MOHMS
 WORKING VOLTAGE: 500V
 DIELECTRIC WITHSTAND VOLTAGE: 1500V RMS
 TEMPERATURE RATE: -55°C TO +85°C
 CONTACT RESISTANCE: 3 mOHMS
- 6. MECHANICAL CHARACTERISTICS
 DURABILITY: 50 CYCLES
- 7. FOR TECHNICAL DATA REFER TO YOUR LOCAL TYCO ELECTRONICS SALES OFFICE
- 8. ALL DIMENSIONS ARE NOMINAL FOR REFERENCE ONLY UNLESS OTHERWISE STATED



				1	1	1	1	BRASS	4	HEX NUT	7
				1	1	1	1	STEEL	4	LOCK WASHER	6
				1	1	1	1	BRASS	4	GROUND TAG	5
				1	1	1	1	PHOS BRONZE	3	CONTACT	4
				1	1	-	-	PBT POLYESTER		INSULATOR	3
				-	-	1	1	PBT POLYESTER		INSULATOR	2
				1	1	1	1	ZINC ALLOY	4	BODY	1
				5--3	5--2	5--1	5--0	MATERIAL		DESCRIPTION	ITEM
				4	4	4	4				
QUANTITY PER ASSY											PARTS LIST

THIS DRAWING IS A CONTROLLED DOCUMENT.		DWN J.SANDWELL 18AUG05	Tyco Electronics Corporation Bideford, UK, EX39 4HE	
DIMENSIONS: mm		CHK S.PARLOW 18AUG05		
TOLERANCES UNLESS OTHERWISE SPECIFIED:		APVD F.WHEELER-KING 18AUG05	NAME BNC INSULATED BULKHEAD SOCKET FRONT MOUNT	
0 PLC ± -		PRODUCT SPEC 108-3435	-	
1 PLC ± -		APPLICATION SPEC N/A	-	
2 PLC ± -		WEIGHT -	SIZE A3	CAGE CODE 00779
3 PLC ± -		CUSTOMER DRAWING	DRAWING NO C-1634504	RESTRICTED TO -
4 PLC ± -			SCALE NTS	SHEET 1 OF 1
ANGLES ± -				
FINISH SEE TABLE				