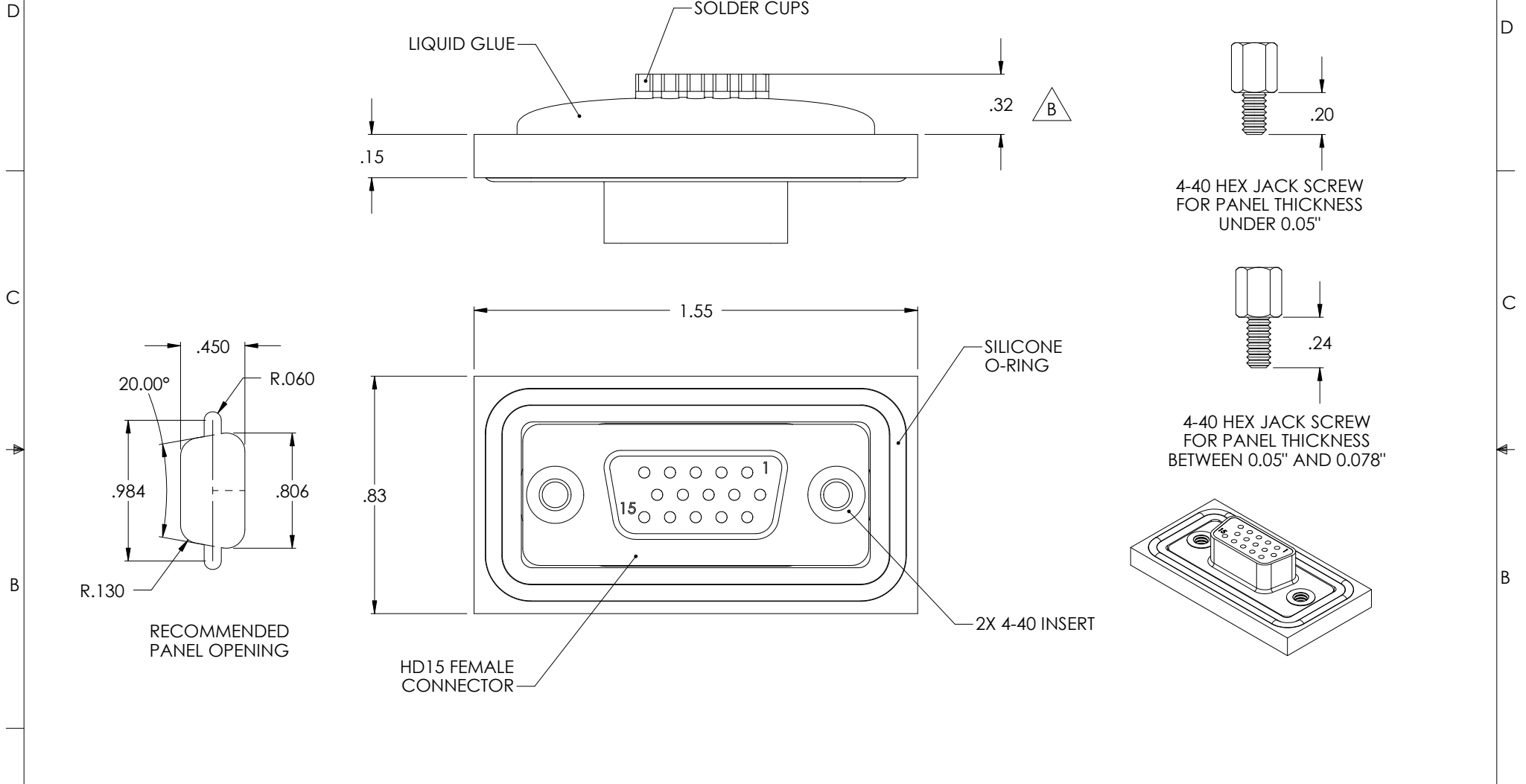


THE INFORMATION CONTAINED IN THIS DRAWING IS THE SOLE PROPERTY OF L-COM, INC. ANY REPRODUCTION IN PART OR WHOLE WITHOUT THE WRITTEN PERMISSION OF L-COM, INC. IS PROHIBITED.

REVISIONS			
REV	DESCRIPTION	DATE	APPROVED
A	INITIAL RELEASE	02/05/04	MCCORMICK
B	ECN #1817 REVISED: .32 WAS .26	08/10/04	MCCORMICK



NOTES:
1. IP (INGRESS PROTECTION) RATING: 67

UNLESS OTHERWISE SPECIFIED,
DIMENSIONS ARE IN INCHES
TOLERANCES ARE:
.X ±.1
.XX ±.05
.XXX ±.005
CABLE LENGTH TOLERANCE
<300" ±5% >300" ±2%

APPROVALS	DATE
DRAWN BY C.MCCORMICK	02/05/2004
CHECKED BY D.PARHAM	02/05/2004
APPROVED BY R.CARRICK	02/05/2004

CONFIGURATION DETAILS OF
UNDIMENSIONED FEATURES
MAY VARY

L-com CONNECTIVITY PRODUCTS		45 BEECHWOOD DRIVE NORTH ANDOVER, MA 01845	
PRODUCT DESCRIPTION HD15 FEMALE WATERPROOF SOLDER			
DRAWING TITLE OUTLINE DRAWING			
SIZE A	FSCM NO. 43321	DWG. NO. WPSDH15S-OD1	REV. B
SCALE: NONE		CAD FILE: WPSDH15S-OD1.SLDDRW	SHEET 1 OF 1