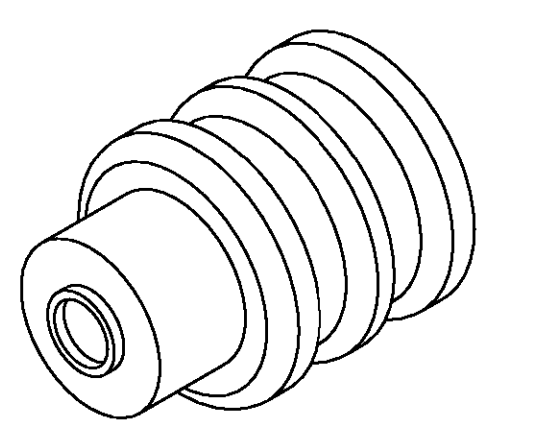
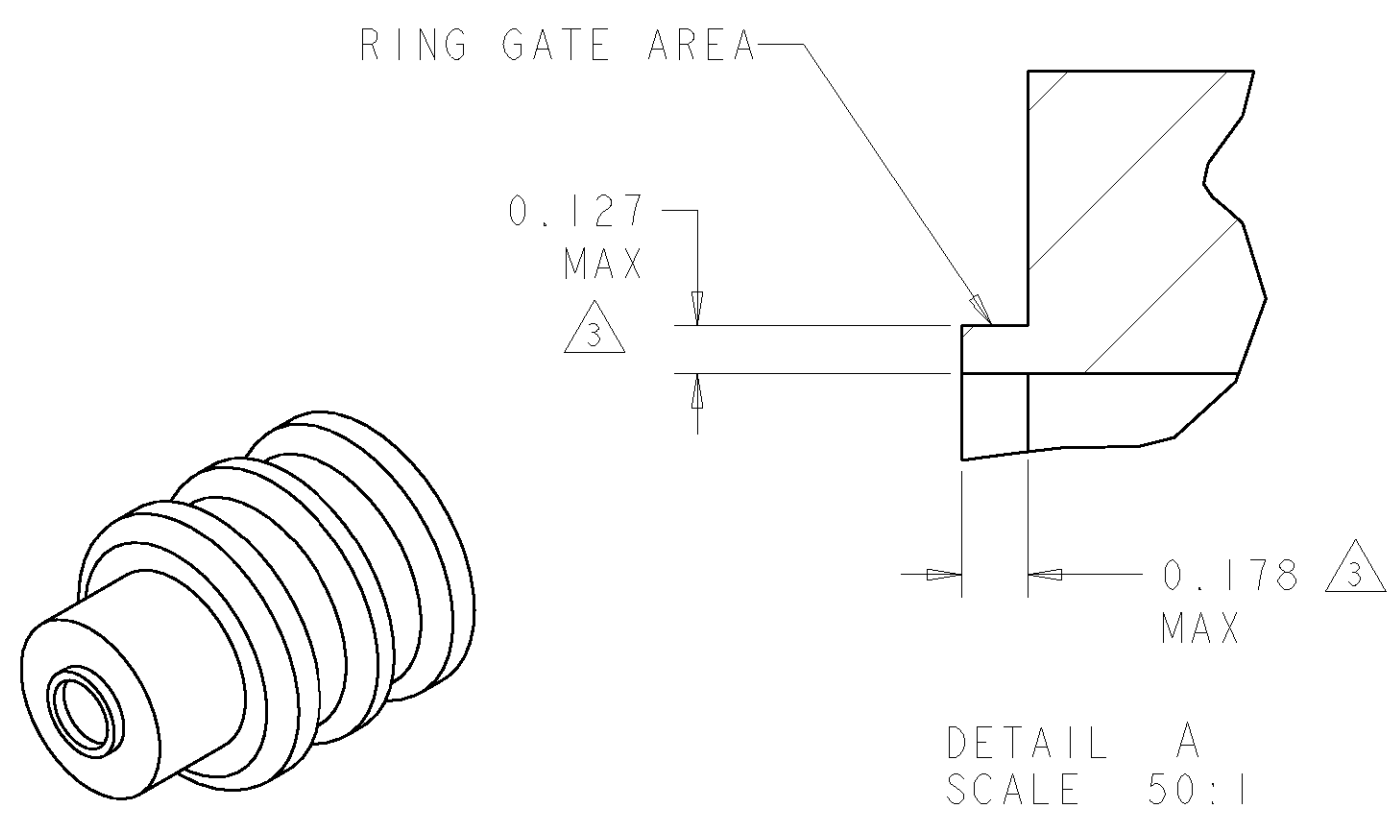
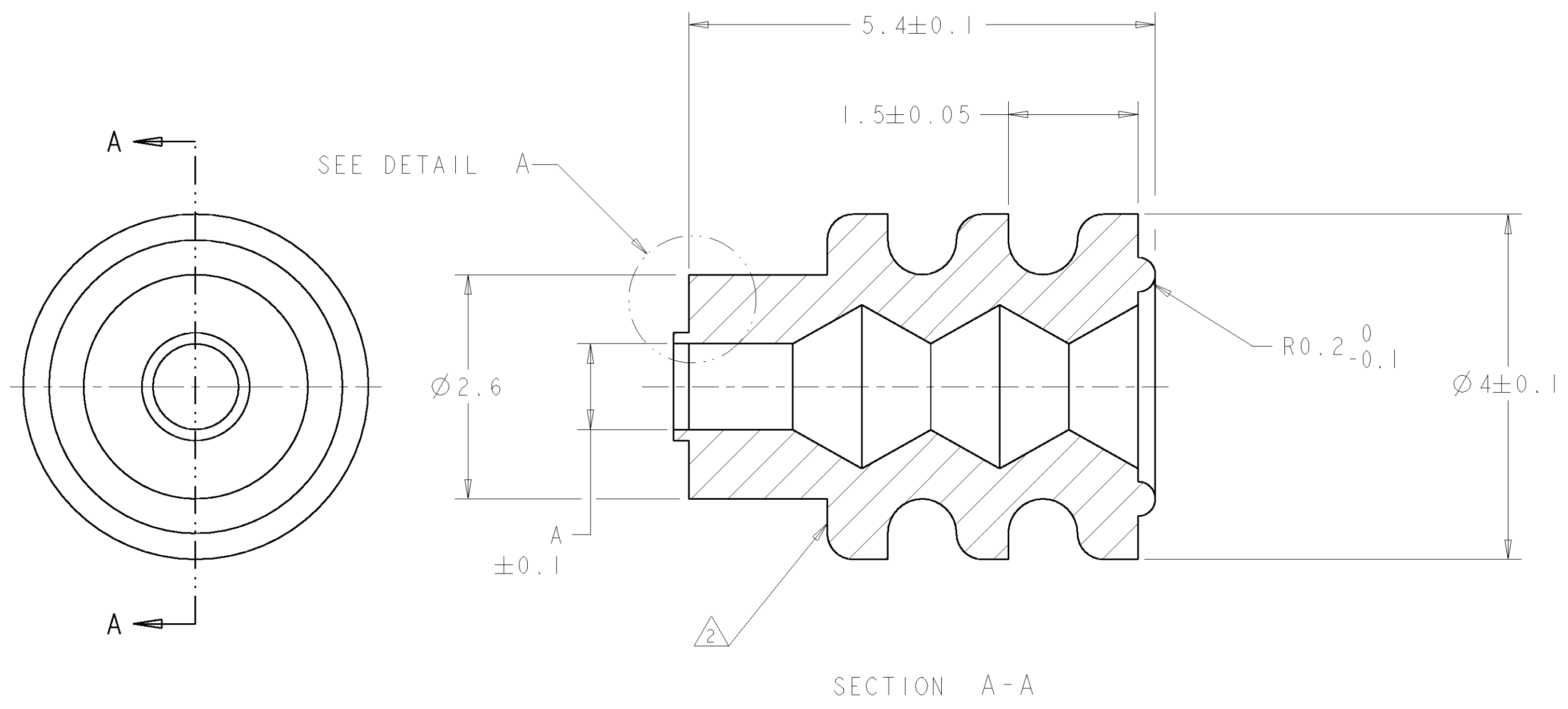


THIS DRAWING IS UNPUBLISHED. RELEASED FOR PUBLICATION 20  
 © COPYRIGHT 20 BY TYCO ELECTRONICS CORPORATION. ALL RIGHTS RESERVED.

LOC	DIST	REVISIONS					
CM	00	P	LTR	DESCRIPTION	DATE	DWN	APVD
			B	REVISED PER 063B-0330-02	18-JUN-02	KW	CJ

- FLASH ALLOWANCE TO BE 0.05 MAX HIGH x 0.03 MAX THICK.
- FLASH NOT PERMITTED IN THIS AREA.
- ALLOWABLE FLASH IN RING GATE AREA.
- INSULATION DIAMETER MUST BE MET REGARDLESS OF WHICH WIRE SIZE IS USED.
- THIS SEAL IS NOT COMPATIBLE WITH 26-30 AWG CONTACTS. 26 AWG WIRE MUST BE USED WITH 22-26 AWG CONTACTS.



3 DIMENSIONAL VIEW  
SCALE 10:1

DETAIL A  
SCALE 50:1

**METRIC**

BLUE	1.02-2.11	18-26 AWG	1.0	794758-1
COLOR	INSULATION DIAMETER 4	WIRE RANGE 4	DIM A	PART NUMBER

<small>THIS DRAWING IS A CONTROLLED DOCUMENT FOR TYCO ELECTRONICS CORPORATION. IT IS SUBJECT TO CHANGE AND THE CONTROLLING ENGINEERING ORGANIZATION SHOULD BE CONTACTED FOR THE LATEST REVISION.</small>		DWN K. WHITAKER	15FEB2001	Tyco Electronics Harrisburg, PA 17105-3608
DIMENSIONS: mm 		CHK C. JONES	15FEB2001	
TOLERANCES UNLESS OTHERWISE SPECIFIED: 0 PLC ±.2 1 PLC ±.2 2 PLC ±. 3 PLC ±. 4 PLC ±. ANGLES ±° FINISH -		APVD C. JONES	15FEB2001	NAME SINGLE WIRE SEAL, MINI UNIVERSAL MATE-N-LOKTM
MATERIAL SILICON RUBBER		PRODUCT SPEC -	APPLICATION SPEC -	WEIGHT -
		CUSTOMER DRAWING	SCALE 20:1	SHEET 1 OF 1