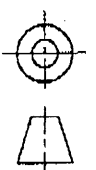


72 55615

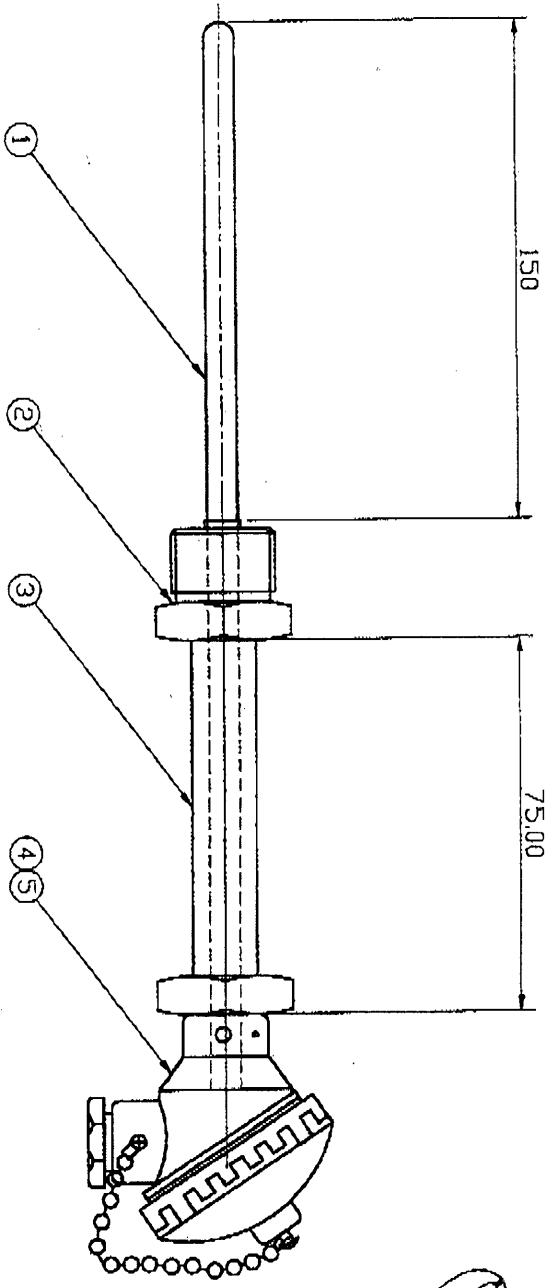
DRAWING No.  
010013TD

DO NOT SCALE



THIRD ANGLE PROJECTION

IF IN DOUBT ASK



COPY

COPY

CONTROLLED

ISSUE	REASON FOR CHANGE	DRAWN	APP.	DATE	MATERIAL:	FINISH	TITLE:	TOLERANCE:	DRAWN	CHECKED:	DATE:	SCALE:
A	REFER TO NDR 0010	J.S.C		23.11.98	N/A	N/A	MI PROCESS SENSOR (150mm LONG)	-0.25 UNLESS STATED OTHERWISE -0.25 DOES NOT APPLY TO ASSY. DWGS	J.S.C		23.11.98	1:1
B	REFER TO DCN 0003	J.S.C		07.12.98								
<p>LAB FACILITY LIMITED, 99 VALDEGRAVE ROAD, TEDDINGTON, MIDDLESEX, TW11 8LR. TEL: 0181 9435351 FAX: 0181 9438351</p> <p>THIS DRAWING REMAINS THE PROPERTY OF LAB FACILITY LIMITED AND MAY NOT BE REPRODUCED WITHOUT OUR PERMISSION.</p> <p>FARNELL 725-5616</p>												
					DRAWING No.			010013TD				
					SHEET 1 OF 2 SHEETS			SHEET SIZE: A3				