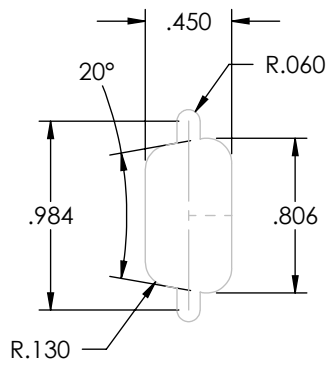
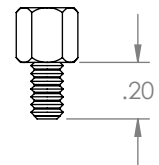
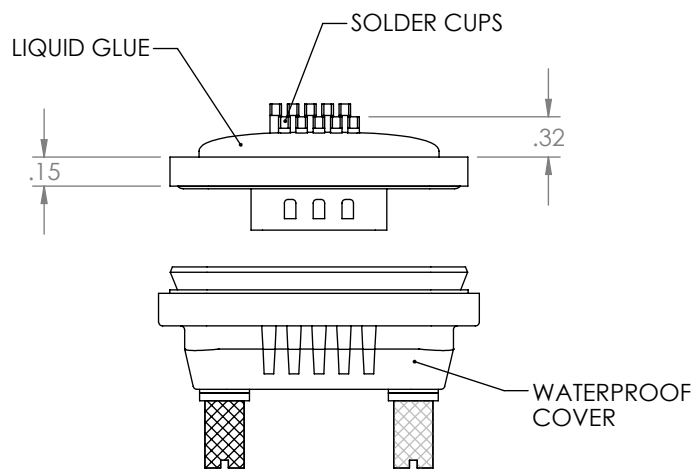


THE INFORMATION CONTAINED IN THIS DRAWING IS THE SOLE PROPERTY OF L-COM, INC. ANY REPRODUCTION IN PART OR WHOLE WITHOUT THE WRITTEN PERMISSION OF L-COM, INC. IS PROHIBITED.

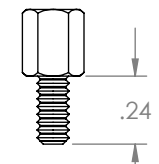
REVISIONS			
REV	DESCRIPTION	DATE	APPROVED
A	INITIAL RELEASE	11/24/08	D.GRIFFIN
-	-	-	-
-	-	-	-



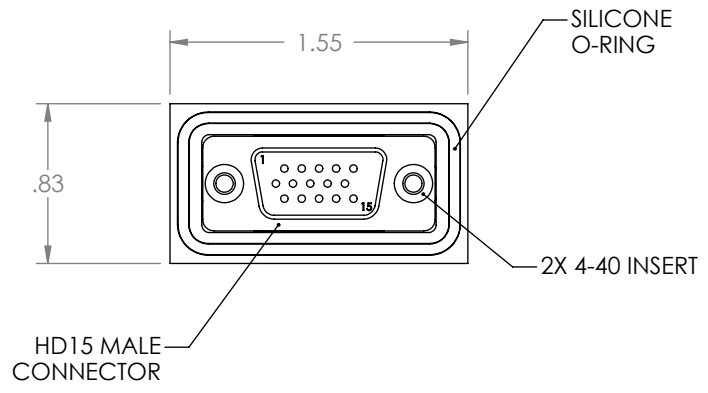
RECOMMENDED
PANEL OPENING



4-40 HEX JACK SCREW
FOR PANEL THICKNESS
UNDER 0.05"



4-40 HEX JACK SCREW
FOR PANEL THICKNESS
BETWEEN 0.05" AND 0.078"



- NOTES:
 1. IP (INGRESS PROTECTION) RATING: 67
 2. ASSEMBLY TO BE INDIVIDUALLY PACKAGED IN A POLYBAG.

UNLESS OTHERWISE SPECIFIED, DIMENSIONS ARE IN INCHES [mm] DIMENSIONAL TOLERANCES: .X = ±.1 .XX = ±.01 .XXX = ±.005 ANGULAR TOLERANCES: ALL = ± 1° PROJECTION 	APPROVALS	DATE	 45 BEECHWOOD DRIVE NORTH ANDOVER, MA 01845		
	DRAWN BY D.CASTRO	11/20/08		CATEGORY	
	CHECKED BY M.SEDLESKI	11/21/08		AUDIO/VIDEO	
	APPROVED BY G.PEPIN	11/21/08	PRODUCT DESCRIPTION	CONN KIT HD15M WTR PRF W/CVR	
	CONFIGURATION DETAILS OF UNDIMENSIONED FEATURES MAY VARY	SIZE A	FSCM NO. 43321	DWG. NO. WPSDH15P-KIT	REV. A
	COLOR VARIATIONS MAY OCCUR	SCALE: 1:1	CAD FILE: WPSDH15P-KIT.SLDDRW	SHEET 1 OF 1	