



GARDTEC

Part Number:

GHP75-36 ("45" Plug)

Wire: **SPT1 2 conductor 105°C, 300 volts**

Length: **36"**


Thermostat:


Designed to turn AC fan on as ambient temperature approaches 88°F (-3/+5), turns off fan as ambient temperature moves below 80°F, cycle life 6,000.

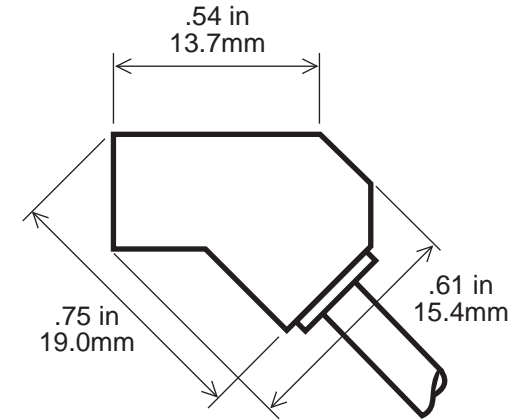
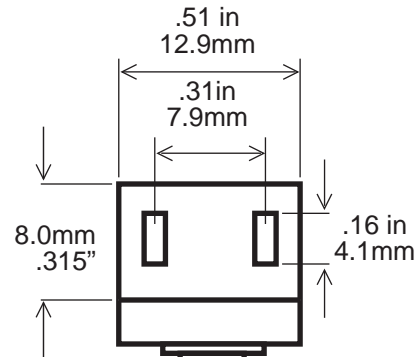
Other options:

- **custom lengths**
- **terminal connections (any)**
- **heat shrink**
- **labeling**
- **stripping**
- **tinning**
- **complete wire harness assemblies**
(rated at 105°C, 300 volts)

Listings:

 **UL listed E156798**
Rated 10 AMP/125 VAC

 **CSA listed (LR76679-1)**
Rated 7 AMP/125 VAC



Thermostat
6 in. from plug head