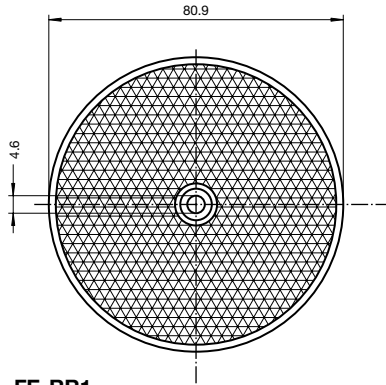


Dimensions in mm

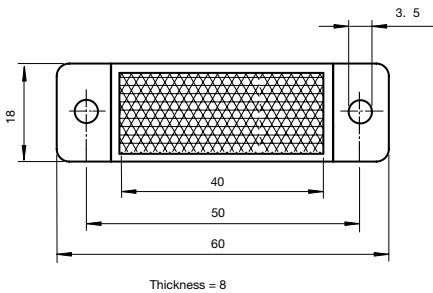
# Reflectors

- Polarized retro-reflective sensors must use corner-cube reflectors.
- Micro-structure, corner-cube reflectors are used with laser retro-reflective sensors with short sensing distances.

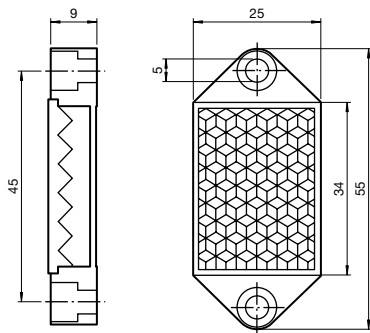
## Thru-hole



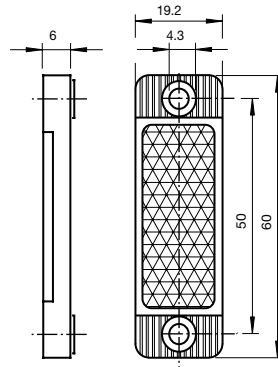
**FE-RR1**  
Round, corner-cube reflector  
Temperature range -4 °F to +150 °F



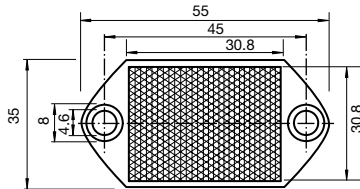
**Reflector H160**  
Rectangular, corner-cube reflector  
Temperature range -4 °F to +185 °F



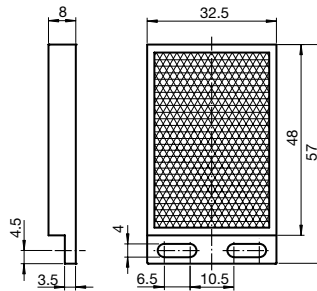
**Reflector H32**  
Rectangular, corner-cube reflector  
Temperature range -4 °F to +150 °F



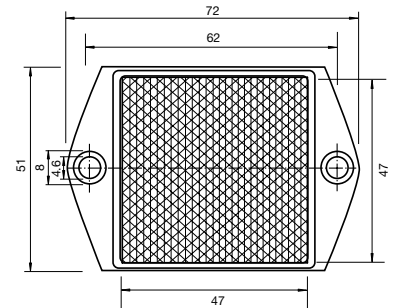
**Reflector VR10**  
Rectangular, corner-cube reflector  
Temperature range -4 °F to +140 °F



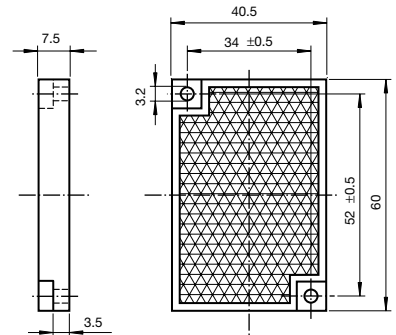
**FE-RR15**  
Rectangular, corner-cube reflector  
Temperature range -4 °F to +140 °F



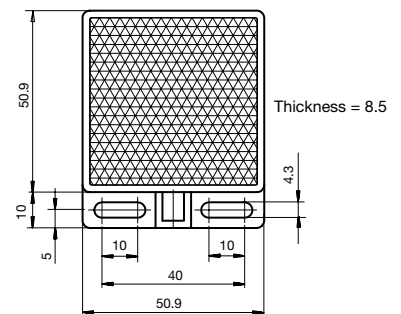
**Reflector H48**  
Rectangular, corner-cube reflector  
Temperature range -4 °F to +185 °F



**FE-RR8**  
Rectangular, corner-cube reflector  
Temperature range -4 °F to +140 °F



**Reflector H60**  
Rectangular, corner-cube reflector  
Temperature range -4 °F to +185 °F



**Reflector H50**  
Square, corner-cube reflector  
Temperature range -4 °F to +185 °F

Subject to modifications without notice

Pepperl+Fuchs Group USA: +1 330 486 0001  
www.pepperl-fuchs.com fa-info@us.pepperl-fuchs.com

Germany: +49 621 776 0  
fa-info@de.pepperl-fuchs.com

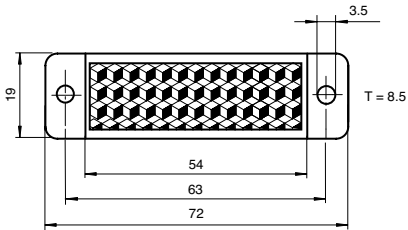
Copyright Pepperl+Fuchs  
Singapore: +65 6779 9091  
fa-info@sg.pepperl-fuchs.com

**PEPPERL+FUCHS** 797  
SENSING YOUR NEEDS

## Reflectors

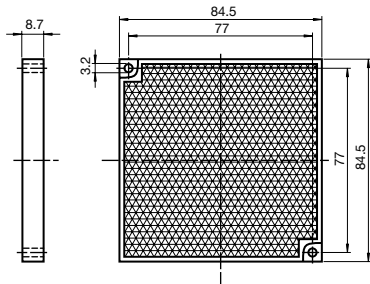
Dimensions in mm

### Thru-hole (cont.)



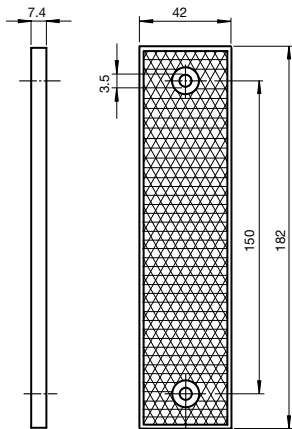
#### Reflector H72

Rectangular, corner-cube reflector  
Temperature range -4 °F to +185 °F



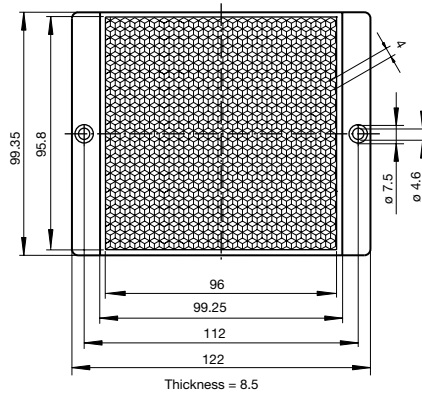
#### Reflector H85-2

Square, corner-cube reflector  
Temperature range -4 °F to +185 °F



#### Reflector H180

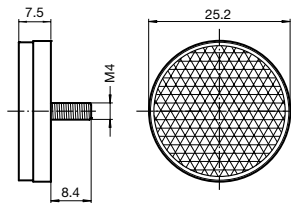
Rectangular, corner-cube reflector  
Temperature range -4 °F to +185 °F



#### Reflector H100

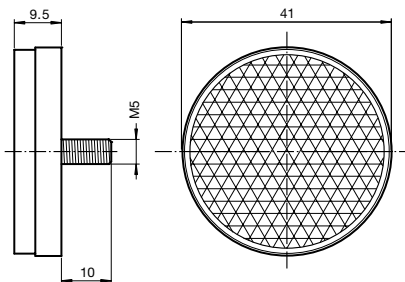
Square, corner-cube reflector  
Temperature range -4 °F to +158 °F

### Threaded Stud



#### Reflector S25

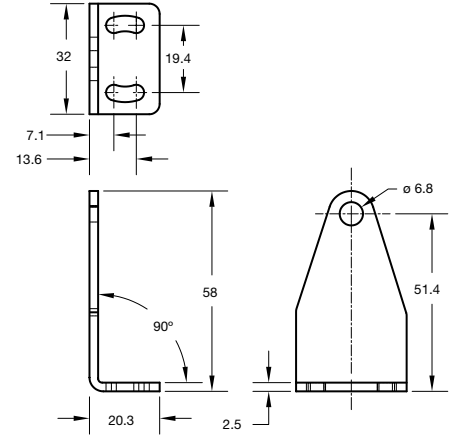
Round, corner-cube reflector  
Includes M4 washer and nut  
Temperature range -4 °F to +185 °F



#### Reflector S42

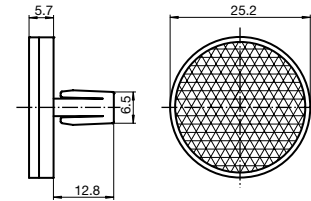
Round, corner-cube reflector  
Includes M5 washer and nut  
Temperature range -4 °F to +185 °F

### Snap-in



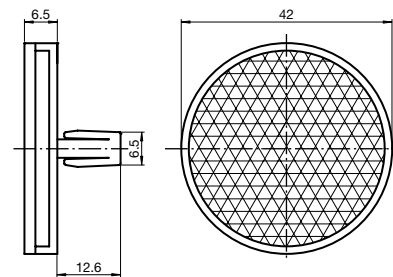
#### OMH-REFLECTOR-CLIP

Snap-in reflector mounting bracket  
for all clip reflectors.  
Made from 303 stainless steel



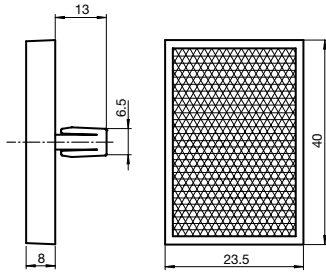
#### Reflector Clip25

Round, corner-cube reflector  
Temperature range -4 °F to +185 °F



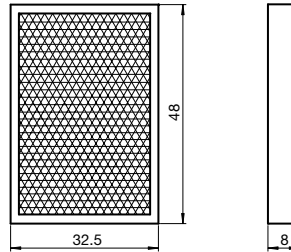
#### Reflector Clip42

Round, corner-cube reflector  
Temperature range -4 °F to +185 °F



### Reflector Clip40

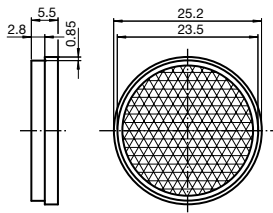
Rectangular, corner-cube reflector  
Temperature range -4 °F to +185 °F



### Reflector A48

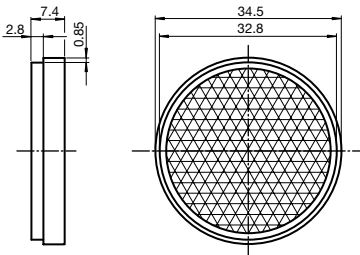
Rectangular, corner-cube reflector  
Temperature range -4 °F to +150 °F

## Self Adhesive



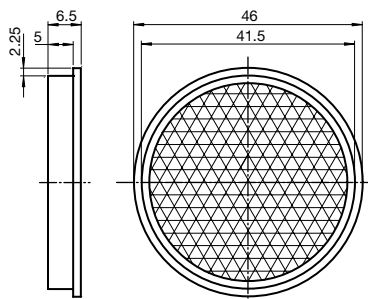
### Reflector A25

Round, corner-cube reflector  
Temperature range -4 °F to +150 °F



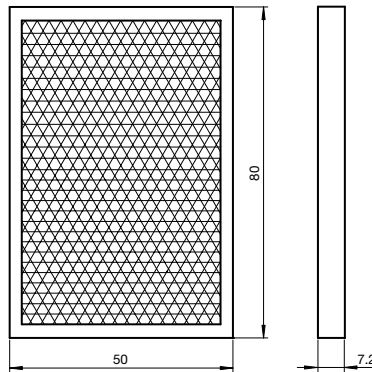
### Reflector A35

Round, corner-cube reflector  
Temperature range -4 °F to +150 °F



### Reflector A46

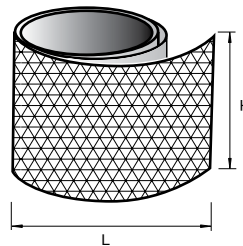
Round, corner-cube reflector  
Temperature range -4 °F to +150 °F



### Reflector A80

Rectangular, corner-cube reflector  
Temperature range -4 °F to +150 °F

## Reflective Tape

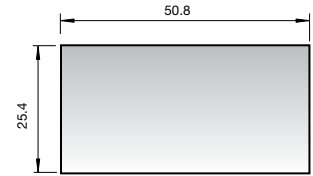


Pre-cut, corner-cube reflective tape.  
Reflective tapes can be cut.  
150' rolls are available. Contact P+F  
Temperature range -40 °F to 180 °F

MODEL	H	L
RT1 x 100	1.0"	100"
RT1 x 2	1.0"	2.0"
RT2 x 100	2.0"	100"
RT3 x 100	3.0"	100"

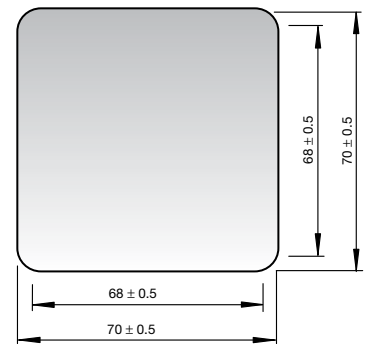
## Reflectors

Dimensions in mm



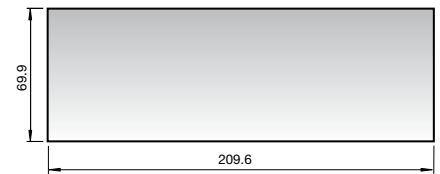
### FE-RR7-Sheet

Rectangular, reflective foil.  
Sheet of 18 reflective foils.  
Individual foils cannot be cut.  
Temperature range -40 °F to +176 °F



### OFR 70-2

Square, reflective foil.  
Sheet of 10 reflective foils.  
Individual foils cannot be cut.  
Temperature range -40 °F to +176 °F



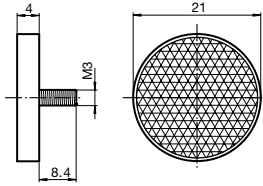
### FE-RR9

Rectangular, reflective foil.  
Foil cannot be cut.  
Temperature range -40 °F to +176 °F

## Reflectors

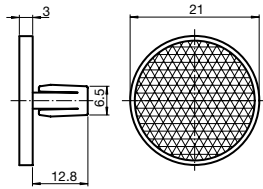
Dimensions in mm

### Microstructure



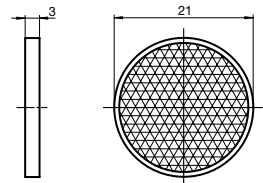
#### Reflector MS21

Round, microstructure corner-cube reflector. M3 mounting stud includes washer and nut.  
Temperature range -4 °F to +185 °F



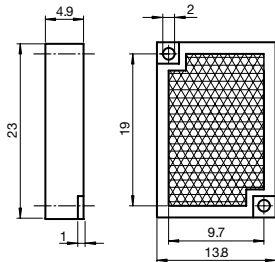
#### Reflector MClip21

Round, microstructure, corner-cube reflector. Snap-in mounting.  
Temperature range -4 °F to +185 °F



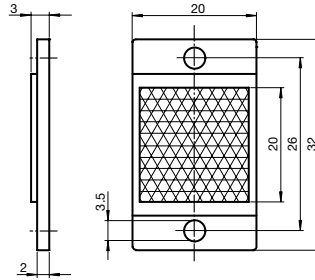
#### Reflector MA21

Round, microstructure, corner-cube reflector. Self-adhesive mounting.  
Temperature range -4 °F to +185 °F



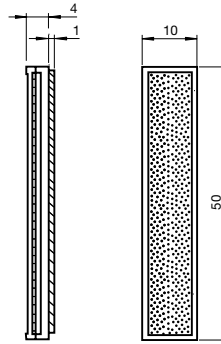
#### Reflector MH23

Rectangular, microstructure corner-cube reflector. Through-hole mounting.  
Temperature range -4 °F to +185 °F



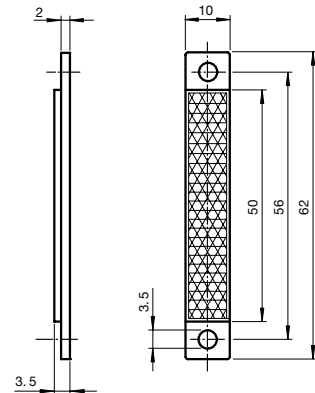
#### Reflector MH20

Square, microstructure corner-cube reflector. Through-hole mounting.  
Temperature range -4 °F to +185 °F



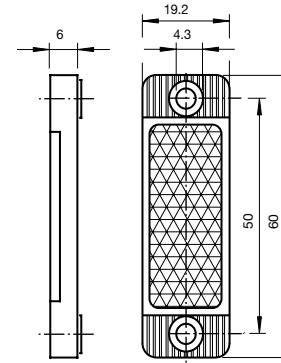
#### Reflector MA50

Rectangular, microstructure, corner-cube reflector. Self-adhesive mounting.  
Temperature range -4 °F to +185 °F



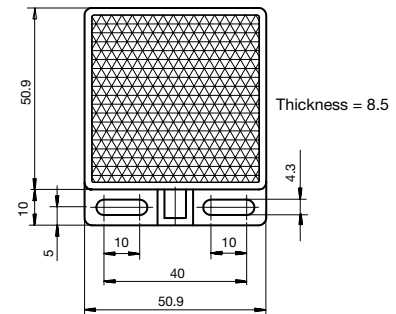
#### Reflector MH56

Rectangular, microstructure, corner-cube reflector. Through-hole mounting.  
Temperature range -4 °F to +185 °F



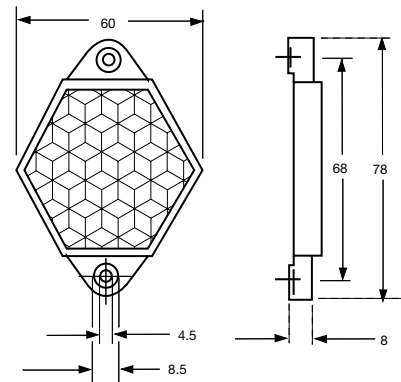
#### Reflector MVR10

Rectangular, microstructure, corner-cube reflector. Through-hole mounting.  
Temperature range -4 °F to +185 °F



#### Reflector MH50

Square, microstructure corner-cube reflector. Through-hole mounting.  
Temperature range -4 °F to +185 °F

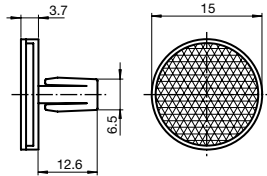


#### Reflector MH78

Rectangular, microstructure, corner-cube reflector. Through-hole mounting.  
Temperature range -4 °F to +185 °F

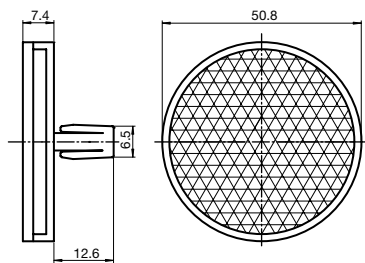
Dimensions in mm

### High/Low Temperature



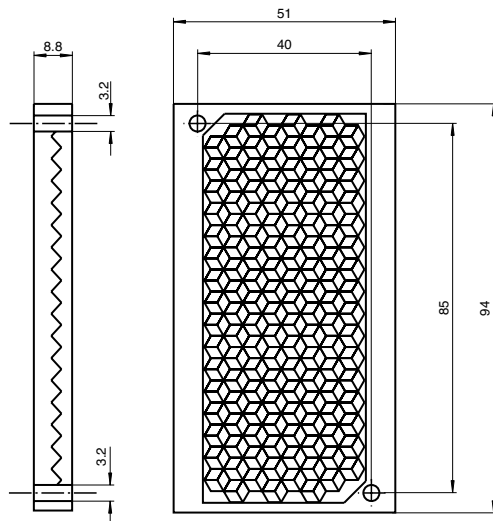
#### Reflector Mclip15HT

Round, microstructure, corner-cube reflector. Snap-in mounting.  
Temperature range -4 °F to +230 °F



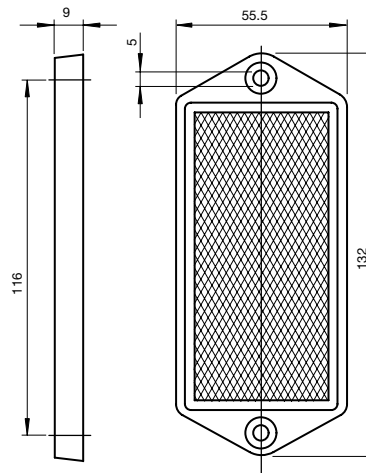
#### Reflector Clip50HT

Round, corner-cube reflector. Snap-in mounting.  
Temperature range -4 °F to +230 °F



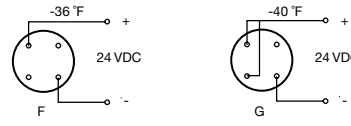
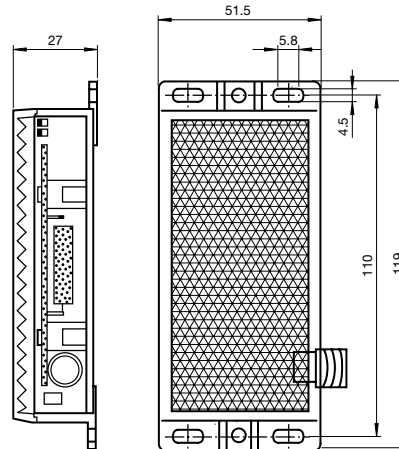
#### Reflector H85HT

Rectangular, corner-cube reflector. Through-hole mounting.  
Temperature range -58 °F to +932 °F



#### Reflector H116HT

Rectangular, corner-cube reflector. Through-hole mounting.  
Temperature range -4 °F to +230 °F



M12 x 1 (V1) 4-pin quick disconnect

#### Reflector Heater120

Rectangular, corner-cube reflector. Through-hole mounting.  
Temperature range -54 °F to +158 °F  
Connector type is 4-pin M12 (V1)



## Notes

