

NOTES:

1. ELECTRICAL:

- A. IMPEDENCE: 50Ω
- B. FREQUENCY RANGE: 0-6GHz (VSWR 1.3 MAX.)
- C. OPERATING VOLTAGE: 500 VRMS
- D. CONTACT RESISTANCE: CENTER CONTACT= 20 mΩ MAX.
OUTER CONTACT= 10mΩ MAX.
- E. DIELECTRIC WITHSTANDING VOLTAGE: 200VAC FOR 1 MINUTE,
CURRENT LEAKAGE 2mA MAX.
- F. INSULATION RESISTANCE: 500 MEGOHMS MIN.

2. PHYSICAL:

- A. TEMPERATURE RANGE: -40°C TO +90°C
- B. AMC INTERFACE IS FULLY COMPATIBLE WITH "U.FL" SERIES PRODUCT.
- C. SUITABLE FOR SOLDER REFLOW PROCESS.

3. MATERIALS AND FINISHES:

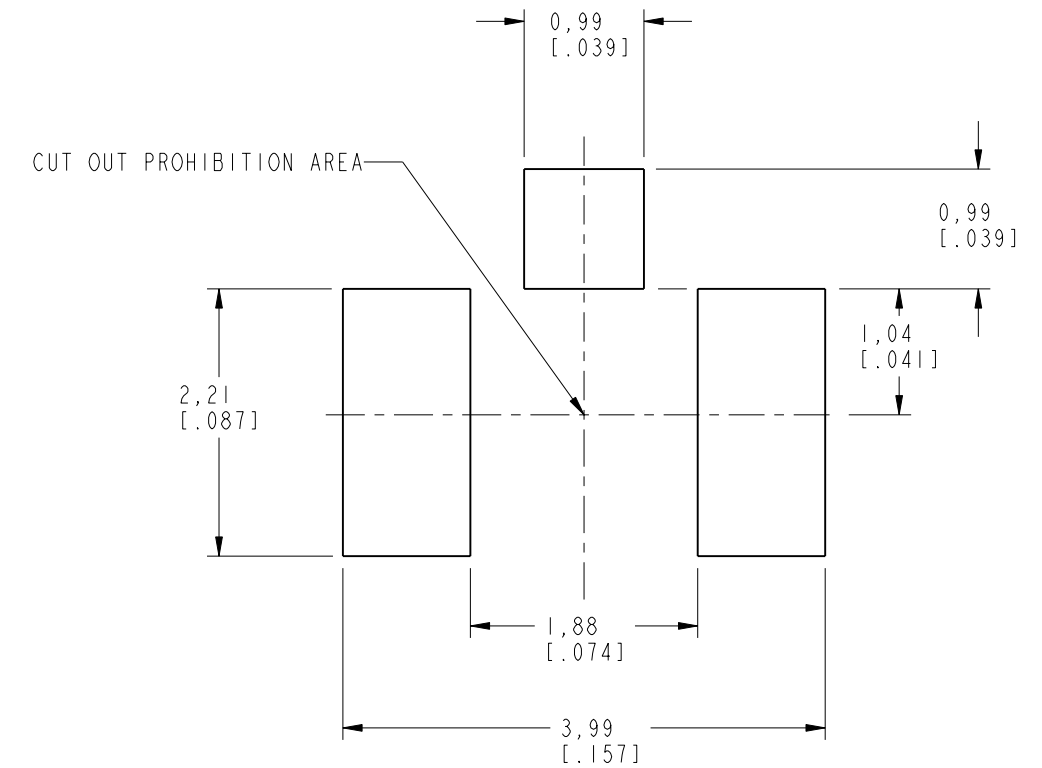
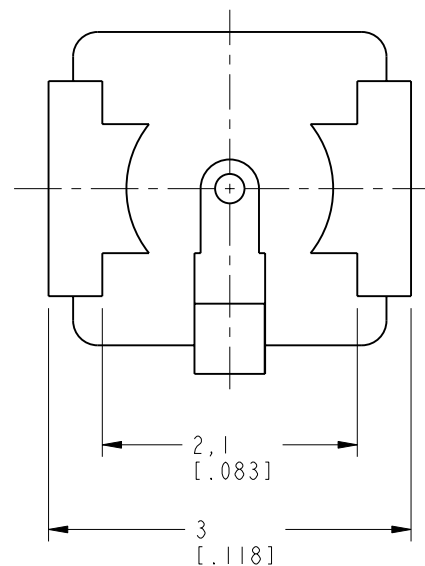
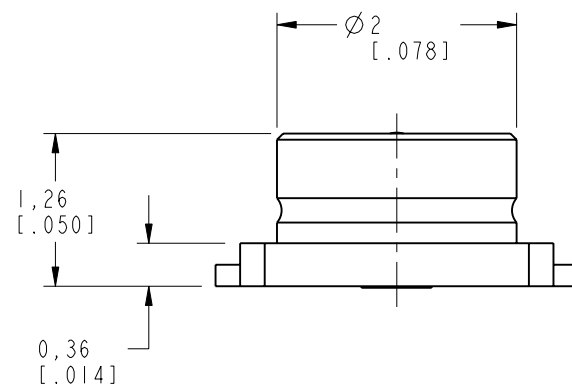
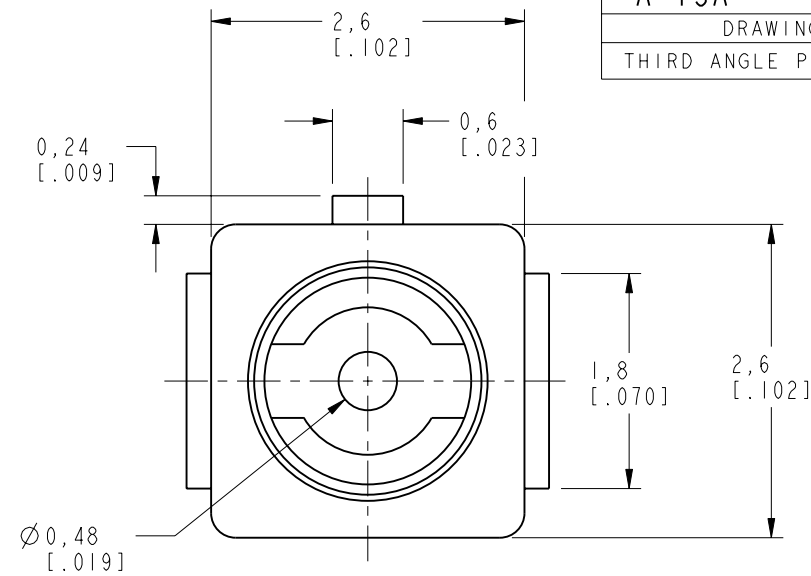
- HOUSING: LCP (UL94V-0)
- CENTER CONTACT: BRASS, GOLD PLATE
- GROUND CONTACT: BRASS, GOLD PLATE

4. SUPERCEDED BY A-1JB.

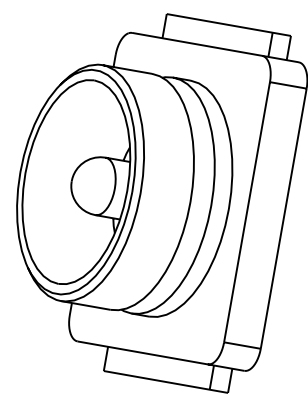
A-1JA

REVISIONS

DRAWING NO.	REV	DESCRIPTION	DATE	ECO	APPR
THIRD ANGLE PROJ.	B	RELEASE TO MFG.	5/1/06	46073	GSA



RECOMMENDED P.C.B. PATTERN



SCALE 16.000

UNLESS OTHERWISE SPECIFIED, DIMENSIONS ARE IN INCHES AND TOLERANCES ARE:
2 PLACE DECIMAL 3 PLACE DECIMAL ANGLES
±.015 (0,381 mm) ±.005 (0,127 mm) ± 1°

NOTICE - These drawings, specifications, or other data (1) are, and remain the property of Amphenol Corp. (2) must be returned upon request; and (3) are confidential and not to be disclosed to any person other than those to whom they are given by Amphenol Corp. The furnishing of these drawings, specifications, or other data by Amphenol Corp., or to any other person to anyone for any purpose is not to be regarded by implication or otherwise in any manner licensing, granting rights or permitting such holder or any other person to manufacture, use or sell any product, process or design, patented or otherwise, that may in any way be related to or disclosed by said drawings, specifications, or other data.

MATERIAL	DRAWN	DATE	TITLE
	G. ANTONINI	29-Jan-03	AMC PCB JACK
	ENGINEER	DATE	
	G. ANTONINI	29-Jan-03	
REFERENCE	APPROVED	DATE	
	O. BARTHELMES	5/1/06	
	CAD FILE		
	I:\AMC\A-1JA		

CODE ID	DWG SIZE	DRAWING NO.	REV
74868	B	A-1JA	B

SCALE: 16.0:1	SHEET	1 OF 1
---------------	-------	--------

Amphenol RF
Danbury, CT, USA
Tainan, Taiwan
Shenzhen, China
www.amphenolrf.com