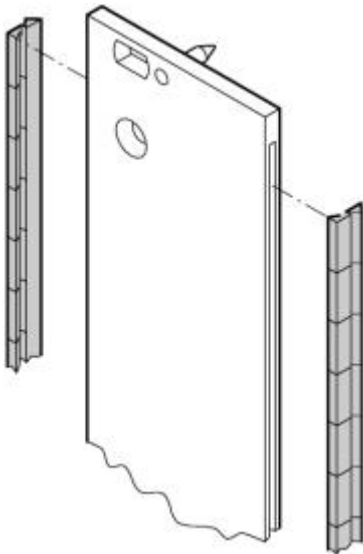


EMC contact strip



Article number: 21101-705

- The EMC contact strips are pushed into the lateral slots of the shielded partial width front panels
- EMC contact strips, stainless steel

Delivery quantity:

Item	Qty	Description
1	1 / 100	EMC-contact strips, stainless steel, corrosion-free

Technical data:

Height	height	Qty
3 U	97 mm	10

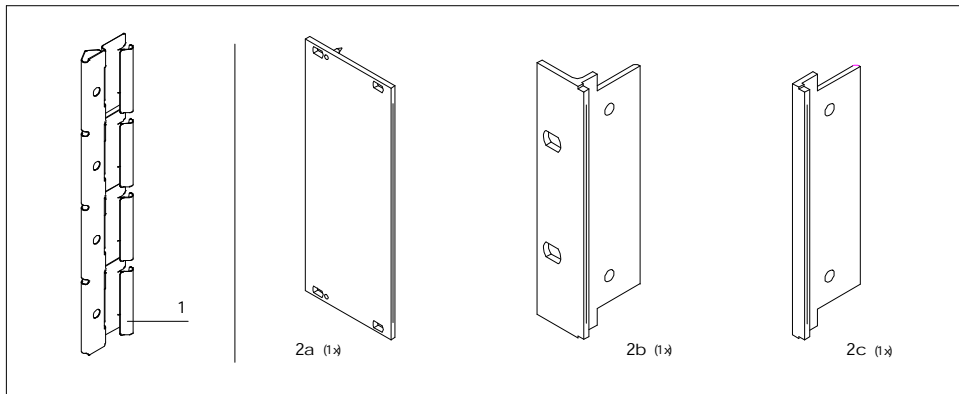
Notes:

- Please order assembly tool separately

**Montageanweisung
Schlitz-Kontaktstreifen**

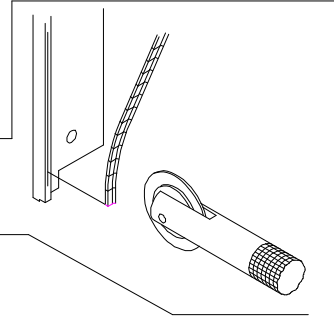
**Assembly instructions
Contact strip**

**Instructions de montage
Des joints HF en rainures**



Pos	Item	Rep.
1	2*	
2x	a	
1x	b	
	c	

* Pos 2 ist im Lieferumfang nicht enthalten.
* Item 2 is not supplied.
* Rep. 2 non compris dans la livraison.



* Montagewerkzeug Nr 24560-270 empfohlen.
* Assembly tool, OrderNo. 24560-270 is recommended.
* O util de fixation recommande 24560-270.

