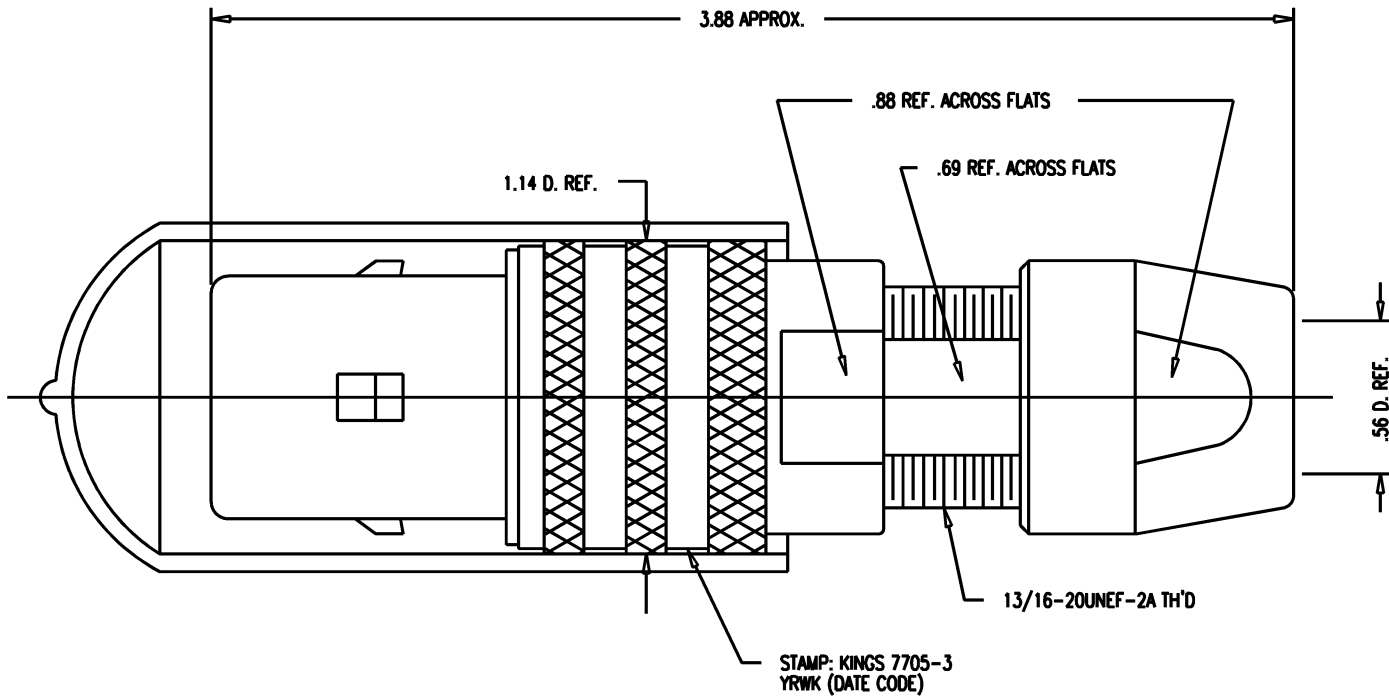


DASH NO.	M CODE	MADE FROM
----------	--------	-----------

GSD

7705-3

REVISIONS	
ISSUE	CHANGES
0	ER 35417 KH 05/06/95
1	CN 38123 C BDH 11/08/00



NOTES:

- FOR USE WITH 740 CABLE GROUP.
- FOR CABLING INSTRUCTIONS SEE KAI-8010.
- FOR CABLE TRIMMING USE KTJ-300 AND KTD-304
- FOR CRIMPING USE DIE KTH-1000 AND KTH-2041.
- MATERIALS:
 INSULATORS: TEFLON, ASTM-D-4894
 CONDUCTIVE GASKET: CONSIL C 87-10004
 GASKETS: SILICONE RUBBER, Z2-R-765
 K-GRIP SLEEVE: COM. BRONZE, ASTM-B-135
 OUTER CONTACT: PHOSPHOR BRONZE, QQ-B-750
 FINGER BODY: BER. COPPER, ASTM-B-196
 CENTER CONTACT TIP: DELRIN
 CAP: VINYL
 ALL OTHER METAL PARTS: BRASS, ASTM-B16

6. FINISHES:

- CENTER CONTACT: HARD GOLD PLATE, PER MIL-G-45204
 - NUT
 - COLLET
 - OUTER BODIES
 - ALL OTHER METAL PARTS: SILVER PLATE, PER QQ-S-365
- } KINGS TARNISH RESISTANT NICKEL FINISH (TR-5)

7. ELECTRICAL CHARACTERISTICS:

- NOMINAL IMPEDANCE: 75 OHMS
- FREQUENCY RANGE: DC-500 MHZ
- VOLTAGE BREAKDOWN: CENTER CONDUCTOR/INNER GROUND: 1500 VRMS
- INNER GROUND/OUTER GROUND: 500 VRMS

KAM5508

SCALE 2:1	
APPROX SURFACE AREA	
USED ON	
REF: KP-8010-740-400	
PLUG, TRI-LOC (SERIAL DIGITAL)	
DRAWN KH	04/06/95
DESIGN DW	04/07/95
APPR.	DATE
KINGS ELECTRONICS CO., INC. ROCK HILL, SOUTH CAROLINA 29730	
7705-3	

GSD