

# Optical Liquid Level Sensors D105 Series



- Features:
- \* 10mm Push fit Body
  - \* Low cost
  - \* Compact size
  - \* Wide range of commercial and industrial applications.

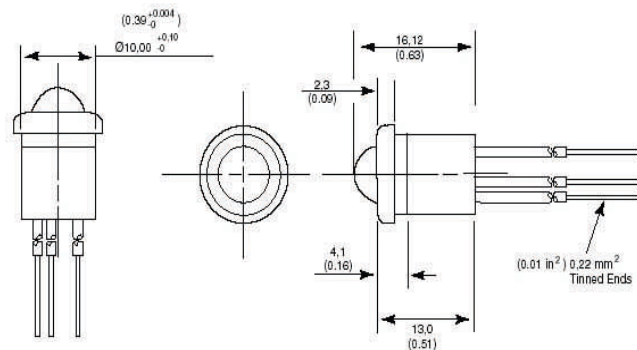
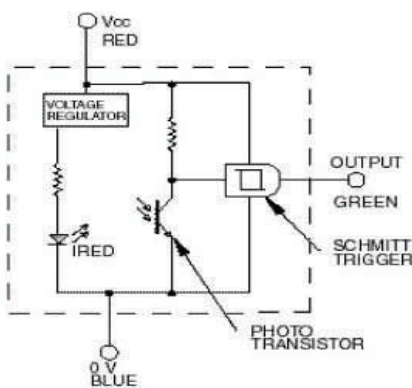


	Standard Temperature	High Temperature
Housing	D105 M10 Push Fit Probe	
Output Function	Digital - High in Air	
Repeatability	± 1 mm	
Hysteresis	2mm (depending on liquid)	
Response Time: Rising Liquid	50 µS	
Response Time: Falling Liquid (Ethanol)	< 1 second	
Supply Voltage	+5V to 12VDC	
Supply Current	15 mA	
Temperature Range: Operating / (Storage)	-25°C to +80°C (-30°C to +85°)	-40°C to +125°C (-40°C to +125°C)
Housing Material	Polysulphone	
Output Current (@25°C & 5VDC)	Sinks 10 mA	Sinks 40 mA
Lead wire Length	250mm PTFE	

## Order Codes:

Drawing dimensions in millimetres

- D105000 Standard Temperature Range  
D105100 Extended Temperature Range



Contact factory for custom terminations and other lead lengths available to special order.



© American Electronic Components Inc 2008

American Electronic Components Inc.,  
1101 Lafayette Street, Elkhart, Indiana, USA  
Tel: +1-574-295-6330 Fax: +1-574-293-8013  
Email: [sales@aecensors.com](mailto:sales@aecensors.com)  
<http://www.aecensors.com>