

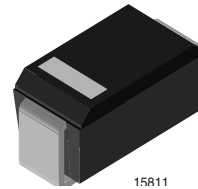
## Silicon Zener Diodes

### Features

- Glass passivated junction
- High reliability
- Voltage range 10 V to 270 V
- Fits onto 5 mm SMD footpads
- Wave and reflow solderable

### Applications

Voltage stabilization



### Mechanical Data

**Case:** DO214AC

**Weight:** 76 mg

**Packaging Codes/Options:**

TR / 1.5k 7 " reel

TR3 / 6k 13 " reel 6k/box

### Absolute Maximum Ratings

$T_{amb} = 25\text{ }^{\circ}\text{C}$ , unless otherwise specified

Parameter	Test condition	Symbol	Value	Unit
Power dissipation	$R_{thJA} < 25\text{ K/W}$ , $T_{amb} = 100\text{ }^{\circ}\text{C}$	$P_{diss}$	3	W
	$R_{thJA} < 100\text{ K/W}$ , $T_{amb} = 50\text{ }^{\circ}\text{C}$	$P_{diss}$	1.25	W
Non repetitive peak surge power dissipation	$t_p = 100\text{ }\mu\text{s}$ sq.pulse, $T_j = 25\text{ }^{\circ}\text{C}$ prior to surge	$P_{ZSM}$	600	W
Junction temperature		$T_j$	150	$^{\circ}\text{C}$
Storage temperature range		$T_{stg}$	- 65 to + 150	$^{\circ}\text{C}$

### Thermal Characteristics

$T_{amb} = 25\text{ }^{\circ}\text{C}$ , unless otherwise specified

Parameter	Test condition	Symbol	Value	Unit
Junction lead		$R_{thJL}$	25	K/W
Junction ambient	mounted on epoxy-glass hard tissue, Fig. 1a	$R_{thJA}$	150	K/W
	mounted on epoxy-glass hard tissue, Fig. 1b	$R_{thJA}$	125	K/W
	mounted on Al-oxid-ceramic ( $\text{Al}_2\text{O}_3$ ), Fig. 1b	$R_{thJA}$	100	K/W

### Electrical Characteristics

$T_{amb} = 25\text{ }^{\circ}\text{C}$ , unless otherwise specified

Parameter	Test condition	Symbol	Min	Typ.	Max	Unit
Forward voltage	$I_F = 0.5\text{ A}$	$V_F$			1.2	V

## Electrical Characteristics

BZG03C...

Partnumber	Zener Voltage Range			Dynamic Resistance		Test Current	Temperature Coefficient of Zener Voltage		Reverse Leakage Current	
	V			$\Omega$		mA	%K		$\mu A$	V
	min	typ	max	typ	max		min	max	max	
BZG03C10	9.4	10	10.6	2	4	50	0.05	0.09	10	7.5
BZG03C11	10.4	11	11.6	4	7	50	0.05	0.1	4	8.2
BZG03C12	11.4	12	12.7	4	7	50	0.05	0.1	3	9.1
BZG03C13	12.4	13	14.1	5	10	50	0.05	0.1	2	10
BZG03C15	13.8	15	15.6	5	10	50	0.05	0.1	1	11
BZG03C16	15.3	16	17.1	6	15	25	0.06	0.11	1	12
BZG03C18	16.8	18	19.1	6	15	25	0.06	0.11	1	13
BZG03C20	18.8	20	21.2	6	15	25	0.06	0.11	1	15
BZG03C22	20.8	22	23.3	6	15	25	0.06	0.11	1	16
BZG03C24	22.8	24	25.6	7	15	25	0.06	0.11	1	18
BZG03C27	25.1	27	28.9	7	15	25	0.06	0.11	1	20
BZG03C30	28	30	32	8	15	25	0.06	0.11	1	22
BZG03C33	31	33	35	8	15	25	0.06	0.11	1	24
BZG03C36	34	36	38	21	40	10	0.06	0.11	1	27
BZG03C39	37	39	41	21	40	10	0.06	0.11	1	30
BZG03C43	40	43	46	24	45	10	0.07	0.12	1	33
BZG03C47	44	47	50	24	45	10	0.07	0.12	1	36
BZG03C51	48	51	54	25	60	10	0.07	0.12	1	39
BZG03C56	52	56	60	25	60	10	0.07	0.12	1	43
BZG03C62	58	62	66	25	80	10	0.08	0.13	1	47
BZG03C68	64	68	72	25	80	10	0.08	0.13	1	51
BZG03C75	70	75	79	30	100	10	0.08	0.13	1	56
BZG03C82	77	82	87	30	100	10	0.08	0.13	1	62
BZG03C91	85	91	96	60	200	5	0.09	0.13	1	68
BZG03C100	94	100	106	60	200	5	0.09	0.13	1	75
BZG03C110	104	110	116	80	250	5	0.09	0.13	1	82
BZG03C120	114	120	127	80	250	5	0.09	0.13	1	91
BZG03C130	124	130	141	110	300	5	0.09	0.13	1	100
BZG03C150	138	150	156	130	300	5	0.09	0.13	1	110
BZG03C160	158	160	171	150	350	5	0.09	0.13	1	120
BZG03C180	168	180	191	180	400	5	0.09	0.13	1	130
BZG03C200	188	200	212	200	500	5	0.09	0.13	1	150
BZG03C220	208	220	233	350	750	2	0.09	0.13	1	160
BZG03C240	228	240	256	400	850	2	0.09	0.13	1	180
BZG03C270	251	270	289	450	1000	2	0.09	0.13	1	200

### Typical Characteristics ( $T_{amb} = 25\text{ }^{\circ}\text{C}$ unless otherwise specified)

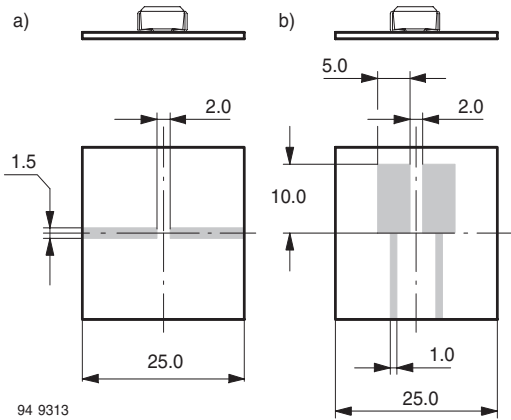


Figure 1. Boards for  $R_{thJA}$  definition (copper overlay  $35\mu$ )

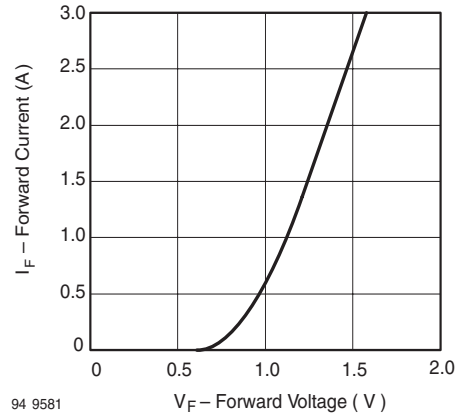


Figure 3. Forward Current vs. Forward Voltage

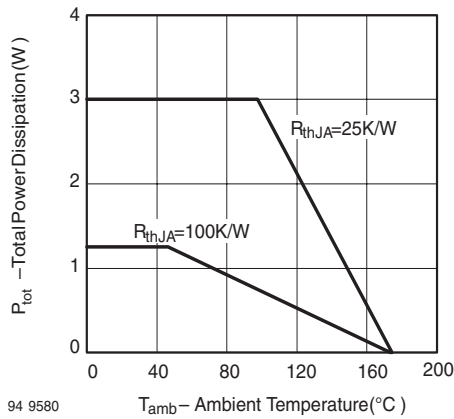


Figure 2. Total Power Dissipation vs. Ambient Temperature

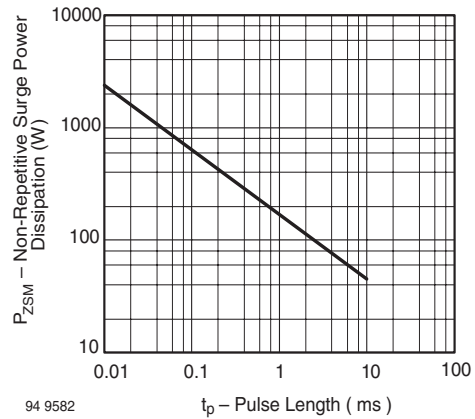


Figure 4. Non Repetitive Surge Power Dissipation vs. Pulse Length

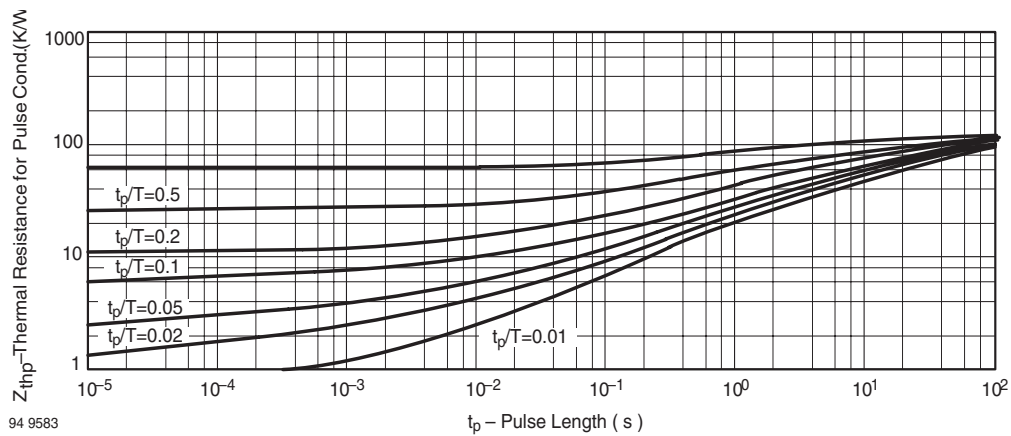
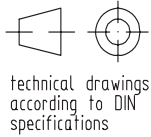


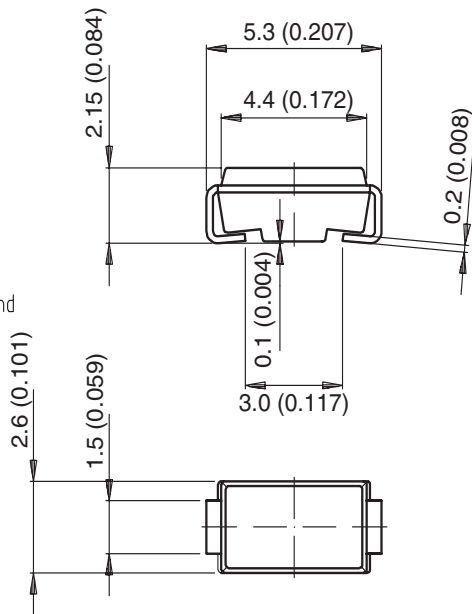
Figure 5. Thermal Response

### Package Dimensions in mm (Inches)

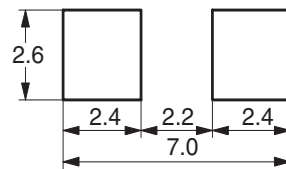


technical drawings according to DIN specifications

Plastic case JEDEC DO 214 similar to SMA  
Cathode indicated by a band



Mounting Pad Layout



14275

## **Ozone Depleting Substances Policy Statement**

It is the policy of **Vishay Semiconductor GmbH** to

1. Meet all present and future national and international statutory requirements.
2. Regularly and continuously improve the performance of our products, processes, distribution and operating systems with respect to their impact on the health and safety of our employees and the public, as well as their impact on the environment.

It is particular concern to control or eliminate releases of those substances into the atmosphere which are known as ozone depleting substances (ODSs).

The Montreal Protocol (1987) and its London Amendments (1990) intend to severely restrict the use of ODSs and forbid their use within the next ten years. Various national and international initiatives are pressing for an earlier ban on these substances.

**Vishay Semiconductor GmbH** has been able to use its policy of continuous improvements to eliminate the use of ODSs listed in the following documents.

1. Annex A, B and list of transitional substances of the Montreal Protocol and the London Amendments respectively
2. Class I and II ozone depleting substances in the Clean Air Act Amendments of 1990 by the Environmental Protection Agency (EPA) in the USA
3. Council Decision 88/540/EEC and 91/690/EEC Annex A, B and C (transitional substances) respectively.

**Vishay Semiconductor GmbH** can certify that our semiconductors are not manufactured with ozone depleting substances and do not contain such substances.

**We reserve the right to make changes to improve technical design  
and may do so without further notice.**

Parameters can vary in different applications. All operating parameters must be validated for each customer application by the customer. Should the buyer use Vishay Semiconductors products for any unintended or unauthorized application, the buyer shall indemnify Vishay Semiconductors against all claims, costs, damages, and expenses, arising out of, directly or indirectly, any claim of personal damage, injury or death associated with such unintended or unauthorized use.

Vishay Semiconductor GmbH, P.O.B. 3535, D-74025 Heilbronn, Germany  
Telephone: 49 (0)7131 67 2831, Fax number: 49 (0)7131 67 2423