

4

3

2

1

THIS DRAWING IS UNPUBLISHED.
VERTRAULICHE UNVERÖFFENTLICHTE ZEICHNUNG

RELEASED FOR PUBLICATION
FREI FUER VERÖFFENTLICHUNG

MATED WITH:
PASSEND ZU:
HMX8/24

LOC
AI

DIST

REVISIONS
ÄNDERUNGEN

© COPYRIGHT 2000

BY AMP INCORPORATED.

ALL RIGHTS RESERVED.
ALLE RECHTE VORBEHALTEN

PROJEKT NR.:

P
A2

LTR

DESCRIPTION

BESCHREIBUNG

PRINTING CHANGED

ECR-06-024448

DATE

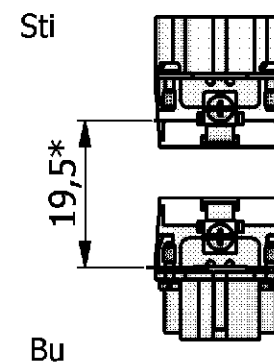
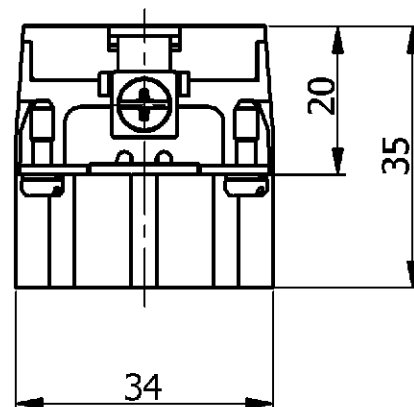
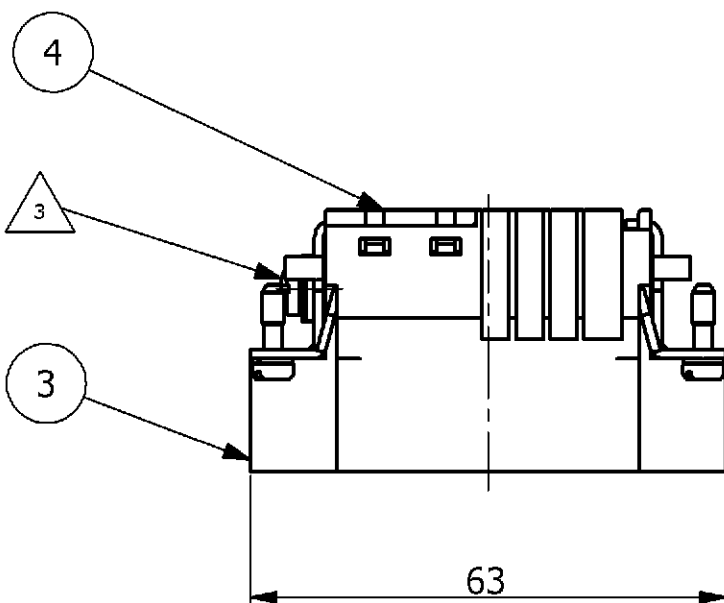
19.11.2004

DWN

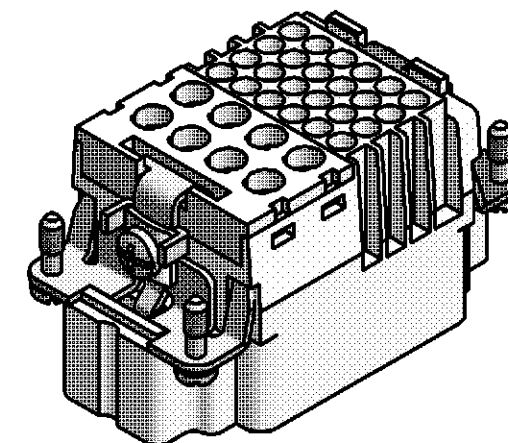
SR

APVD

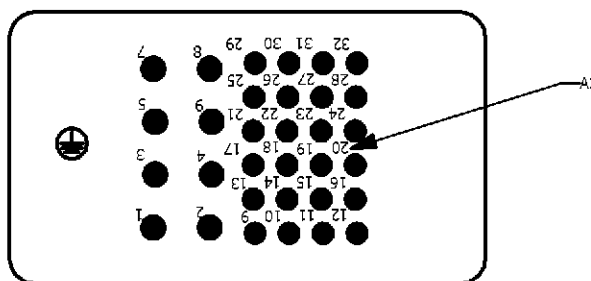
ST



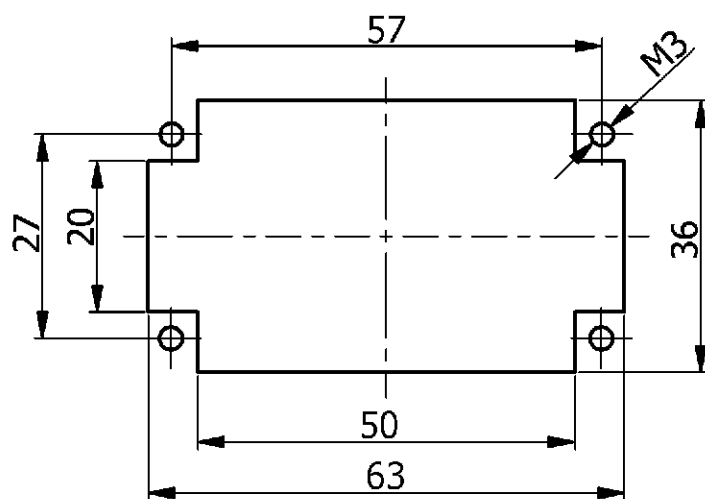
* distance for guaranteed contact 21 mm max.



Contact arrangement
view from termination side



Panel cut-out for contact insert
when used without housing



0-1 as shown
ORDERING TEXT: HMX.8/24.Sti.C

QTY.	DESCRIPTION	MATERIAL	SURFACE	COLOR	NOTE	ITEM
1	COVER HMX.8/24	PBT-GF15		LIGHT-GREY		4
1	MALE INSERT HMX.8/24	PBT-GF30	-	LIGHT-GREY	-	3
1	Protection wire contact pin with mounting		zink plated	blue		6
1	Protection wire contact pin		zink plated	blue		7

PARTS LIST

<small>THIS DRAWING IS A CONTROLLED DOCUMENT FOR AMP INCORPORATED. IT IS SUBJECT TO CHANGE AND THE CONTROLLING ENGINEERING ORGANIZATION SHOULD BE CONTACTED FOR THE LATEST REVISION. DIESES ZEICHNUNGS-DOKUMENT WIRD DURCH AMP INCORPORATED KONTROLLIERT. ÄNDERUNGEN, DIE DEM TECHNISCHEN FORTSCHRITT DIENEN, SIND VORBEHALTEN. DEN JEWELIGEN LETZTLIEFENDEN ÄNDERUNGSSTAND ERFAHREN SIE AUF ANFRAGE.</small>		DWN 24.01.2005			Tyco / Electronics AMP GmbH D - 53819 Neunkirchen	
DIMENSIONS: DIMENSIONEN: mm		SCHNEIDER 24.01.2005 R.SCHNEIDER	NAME MALE INSERT HMX.8/24			
TOLERANCES UNLESS OTHERWISE SPECIFIED: ALLGEMEINTOLERANZEN n. ISO 8015 n. ISO 2768 - mH -E n. DIN 16901 - 140		APVD 24.01.2005 T.SCHNURPFEIL	PRODUCT SPEC PRODUKTSPEZ.			
MATERIAL		APPLICATION SPEC VERARBEITUNGSSPEZ.	SIZE A3	CAGE CODE 00779	DRAWING NO ZEICHNUNGS-NR. 1103089	RESTRICTED TO NUR FUER
CUSTOMER DRAWING / KUNDENZEICHNUNG			SCALE MASSSTAB 1:1	SHEET BLATT 1	OF VON 1	REV A2

NOTES

- POWER CONTACT: 1 TO 8
OUTER DIMENSIONS OF INSULATION: MAX. Ø4,9 MM
- SIGNAL CONTACT: 11 AND 32
OUTER DIMENSIONS OF INSULATION: MAX. Ø3,8 MM
- GROUNDING CONTACT
- SUITABLE HOOD SIZE 4: SERIES HB; HD; EMV AND HIP
- STANDARDS:
DIN EN 61984; DIN EN 60664-1
- PACKAGING:
10 PIECES IN A CARTON