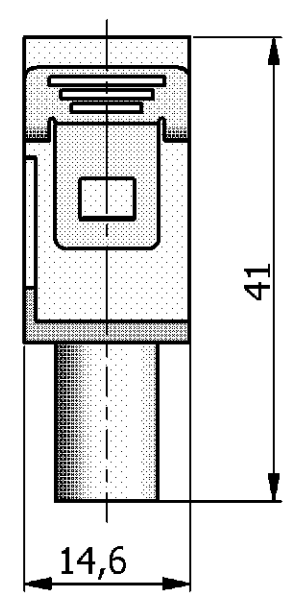
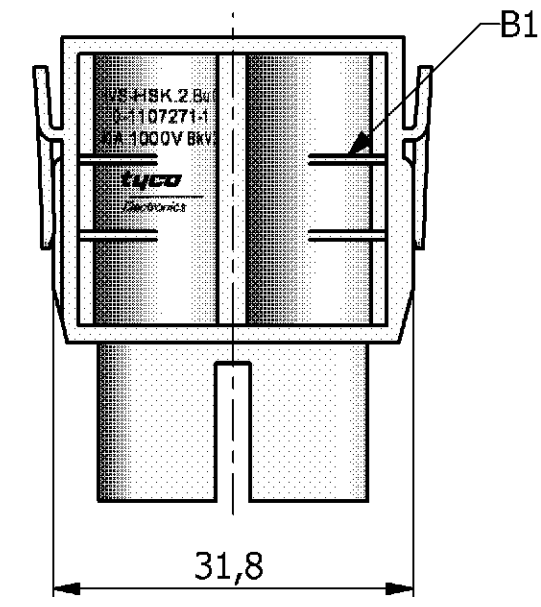
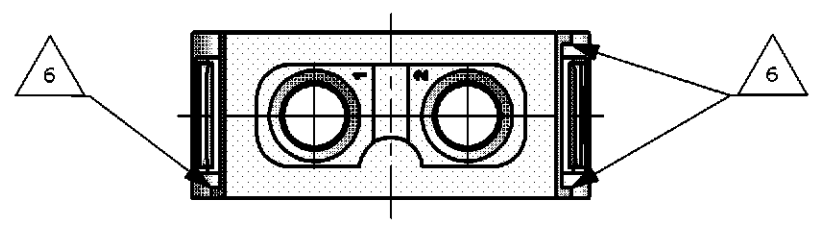
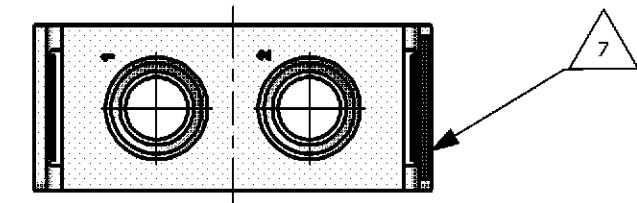


CONTACT ARRANGEMENT:  
VIEW FROM CONNECTING SIDE

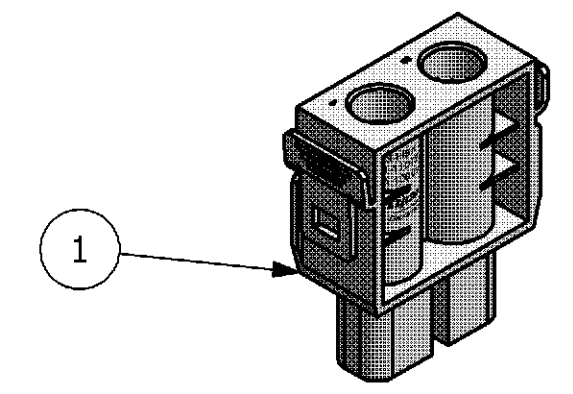


CONTACT ARRANGEMENT:  
VIEW FROM TERMINATION SIDE



## NOTES

- 1 SUITABLE CRIMP CONTACTS: SERIES HSK  
CUSTOMERDRAWINGS: 1108756  
OUTER DIMENSIONS OF INSULATION: MAX. Ø8 MM
- 2 SUITABLE MODULE FIXING FRAME: SERIES HVS SIZE 3 TO 8  
CUSTOMER DRAWING: 1103250
- 3 SUITABLE INSERTION TOOL:  
CUSTOMER DRAWING: 1102855
- 4 SUITABLE EXTRACTION TOOL:  
CUSTOMER DRAWING: 1102855
- 5 STANDARDS:  
DIN EN 61984; DIN EN 60664-1
- 6 POLARIZATION RIPS
- 7 MARKING OF POLARIZATION ACCORDING MARKING OF  
MODULE FRAME
- 8 PACKAGING:  
10 PIECES IN A CARTON



1	FEMALE INSERT	PBT-GF10	-	LEGHT GREY	-	1
QTY.	DESCRIPTION	MATERIAL	SURFACE	COLOR	NOTE	ITEM

<b>0-1 HVS-HSK.2.BU.C PARTS LIST</b>						
DWN	SCHNEIDER	20.02.2006	 Tyco / Electronics AMP GmbH D - 53819 Neunkirchen			
CHK	A.GAST	20.02.2006				
APVD	T.SCHNURPFEIL	20.02.2006	NAME			
PRODUCT SPEC.	108-74081	FEMALE INSERT				
APPLICATION SPEC.	114-74083	HVS-HSK.2.BU.C				
WEIGHT	0,008 KG	SIZE	CAGE CODE	DRAWING NO	RESTRICTED TO	
		A3	00779	ZEICHNUNGS-NR.	NUR FUER	
CUSTOMER DRAWING / KUNDENZEICHNUNG			SCALE	SHEET	OF	REV.
			MASSSTAB	BLATT	VON	B1
			1:1	1	1	

THIS DRAWING IS A CONTROLLED DOCUMENT FOR AMP INCORPORATED. IT IS SUBJECT TO CHANGE AND THE CONTROLLING ENGINEERING ORGANIZATION SHOULD BE CONTACTED FOR THE LATEST REVISION. DIESES ZEICHNUNGSDOKUMENT WIRD DURCH AMP INCORPORATED KONTROLLIERT. ÄNDERUNGEN, DIE DEM TECHNISCHEN FORTSCHRITT DIENEN, SIND VORBEHALTEN. DEN JEWELIGEN LETZTGÜLTIGEN ÄNDERUNGSSTAND ERFAHREN SIE AUF ANFRAGE.	
<b>DIMENSIONS:</b> DIMENSIONEN: mm	<b>TOLERANCES UNLESS</b> OTHERWISE SPECIFIED: ALLGEMEINTOLERANZEN
	n. ISO 8015 - # n. ISO 2768 - mH-E # n. DIN 16901- # 0 PLC # 1 PLC # 2 PLC # 3 PLC # ANGLES / WINKEL #
MATERIAL	FINISH / OBERFLAECHEN / FARBE

\\p02\p02\data\Prod\Eng\3D\Bibich\HVS\Ernaeh\HVK\_2\C110271.Ldw