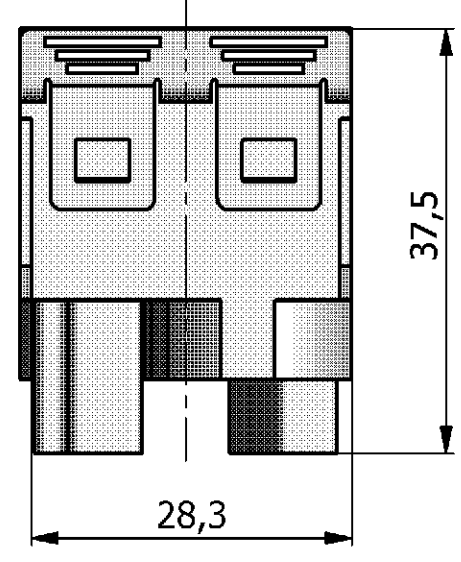
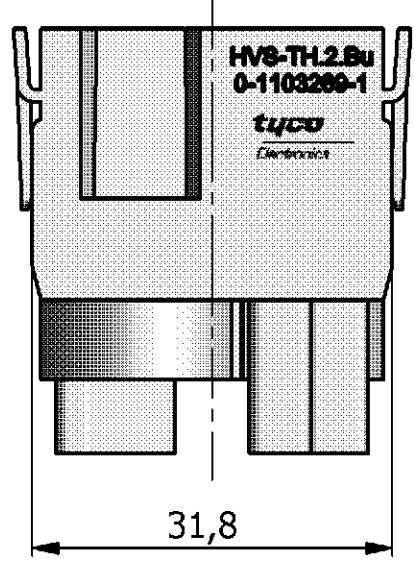
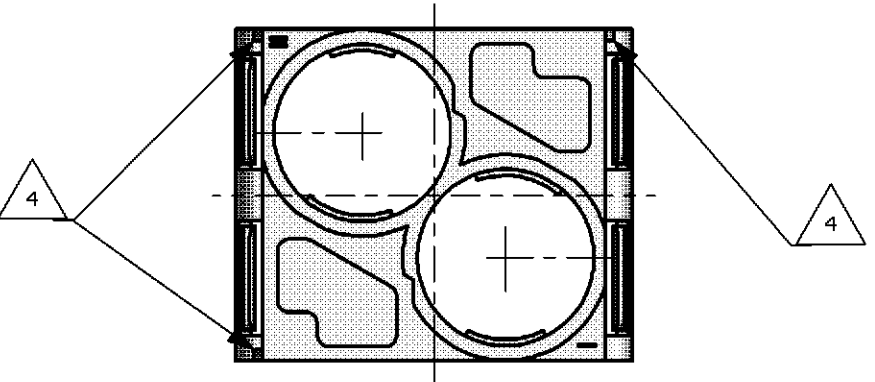
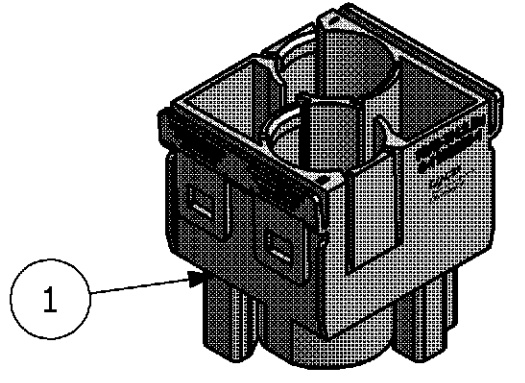


CONTACT ARRANGEMENT:
VIEW FROM CONNECTING SIDE

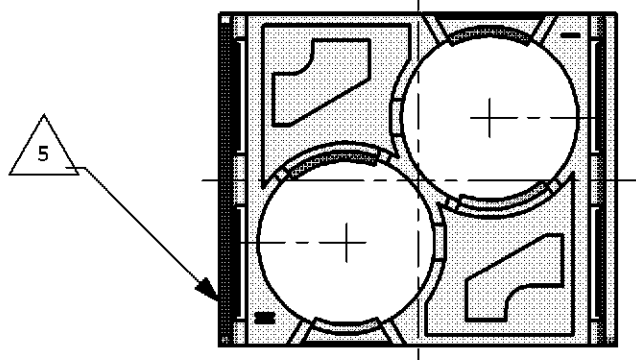


NOTES

- 1 SUITABLE CONTACTS: SERIES TX
CATALOG: 889745
- 2 SUITABLE MODULE FIXING FRAME: SERIES HVS SIZE 3 TO 8
CUSTOMER DRAWING: 1103250
- 3 STANDARDS:
DIN EN 61984; DIN EN 60664-1
- 4 POLARIZATION RIPS
- 5 MARKING OF POLARIZATION ACCORDING MARKING OF
MODULE FRAME
- 6 PACKAGING:
10 PIECES IN A CARTON



CONTACT ARRANGEMENT:
VIEW FROM TERMINATION SIDE



0-1 as shown
HVS-TX.2.Bu

1	FEMALE INSERT	PBT-GF10	-	LIGHT GREY	-	1
QTY	DESCRIPTION	MATERIAL	SURFACE	COLOR	NOTE	ITEM

PARTS LIST						
	DWN	SCHNEIDER	20.02.2006			
	CHK	A.GAST	20.02.2006			
	APVD	T.SCHNURPFEIL	20.02.2006			
	PRODUCT SPEC.	108-74080				
	APPLICATION SPEC.	114-74082				
	WEIGHT	0,001 KG				
CUSTOMER DRAWING / KUNDENZEICHNUNG		SCALE	1:1	SHEET	1	OF
		MASSSTAB	1:1	BLATT	1	VON
		REV.	A1			

THIS DRAWING IS A CONTROLLED DOCUMENT FOR AMP INCORPORATED. IT IS SUBJECT TO CHANGE AND THE CONTROLLING ENGINEERING ORGANIZATION SHOULD BE CONTACTED FOR THE LATEST REVISION. DIESSES ZEICHNUNGSDOKUMENT WIRD DURCH AMP INCORPORATED KONTROLLIERT. ÄNDERUNGEN, DIE DEM TECHNISCHEN FORTSCHRITT DIENEN, SIND VORBEHALTEN. DEN JEWELIS LETZTIGUELTIGEN ÄNDERUNGSSTAND ERFAHREN SIE AUF ANFRAGE.	
DIMENSIONS: DIMENSIONEN: mm	TOLERANCES UNLESS OTHERWISE SPECIFIED: ALLGEMEINTOLERANZEN
	n. ISO 8015 - n. ISO 2768 - mH-E n. DIN 16901- 140
MATERIAL	FINISH / OBERFLAECH / FARBE

tyco Electronics		Tyco / Electronics AMP GmbH D - 53819 Neunkirchen	
NAME		FEMALE INSERT HVS-TX.2.BU	
SIZE	CAGE CODE	DRAWING NO ZEICHNUNGS-NR.	RESTRICTED TO NUR FUER
A3	00779	1103269	