

Ledex® Magnetic Latching Box Frame Size B22-L

Part Number: B22 - L - X XX - M- 36

Coil Selection
(from performance chart below)

Pole Configuration

- 1 Flat Face
- 2 60° Conical

All catalog products manufactured after April 1, 2006 are RoHS Compliant

Specifications

Operation	Pull
Dielectric Strength	1500 VRMS for one second
Unlatch Voltage	See schematic and coil data below
Magnet Hold Force*	
Flat Face:	5.0 lb (with return spring)
60° Conical:	1.0 lb (with return spring)
Coil Insulation	Class " B": 130°C max. (standard); other temperature classes available
Coil Termination	(1) 3/16" QC; (1) 1/4" QC
Spring Force	2.4 lb/in; 1.08 lb latched position
Plunger Pole Face	Flat face with return spring 60° with return spring (other options available)
Plunger Weight	1.24 oz. (35.2 g)
Total Weight	7.5 oz. (212.8 g)
Dimensions	See page I 14

*In no power, latched position.

Performance

Maximum Duty Cycle	Unlatched			
	Voltage	50%	25%	10%
Maximum ON Time (sec)	n/a	485	167	47
Watts (@ 20°C)	9.9	19.8	39.6	99
Ampere Turns (@ 20°C)	1046	1482	2093	3314

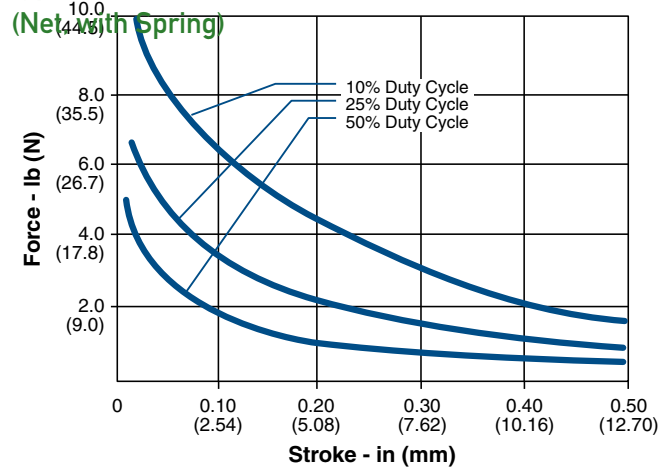
Coil Data						
Part Number	Resistance (@20°C)	Ref # Turns	Unlatch VDC	VDC (Nom)	VDC (Nom)	VDC (Nom)
B22-L-X55-M-36	3.64	635	6	8.5	12	19
B22-L-X54-M-36	14.55	1300	12	17	24	38
B22-L-X53-M-36	58.18	2578	24	34	48	76
B22-L-X52-M-36	232.73	5103	48	68	96	152
B22-L-X51-M-36	1493.00	12744	120	172	240	385

NOTES:

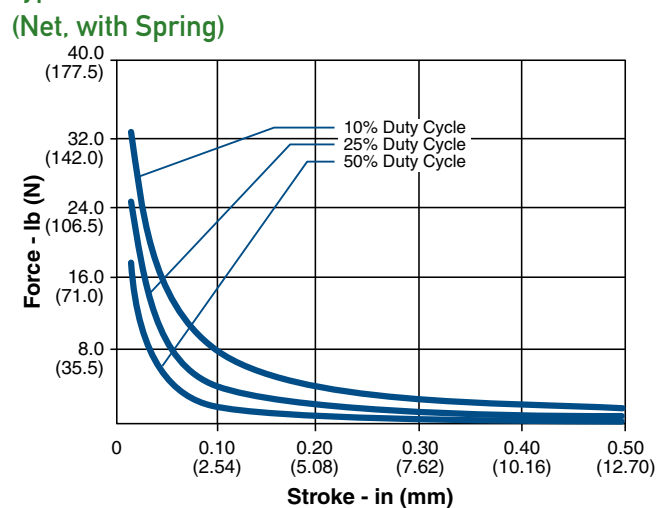
- All data is typical.
- Force testing is done with the solenoid in the horizontal position.
- All data reflects operation with no heatsink.
- Other coil terminations available.

Force values for reference only.

Typical Force @ 20°C – 60° Armature

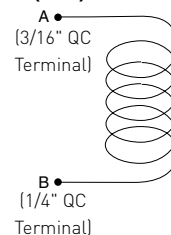


Typical Force @ 20°C – Flat Face Armature



Coil Polarity

Latch: A+ B-
Unlatch: A- B+



How to Order

Select the part number from the table provided. (For example, to order a 25% duty cycle flat face unit rated at 48 VDC, specify B22-L-153-M-36.

Please see www.ledex.com (click on Stock Products tab) for our list of stock products available through our North American distributors.

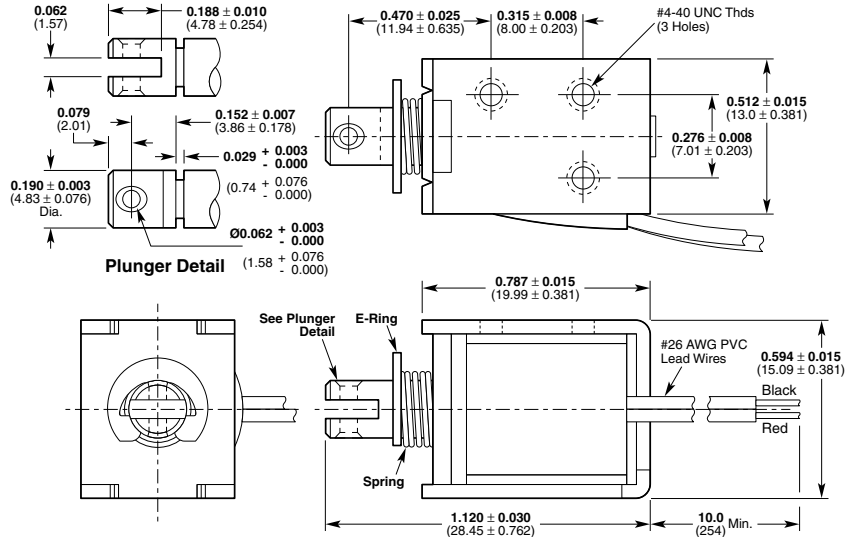
All specifications subject to change without notice.

LINEAR Magnet Latch

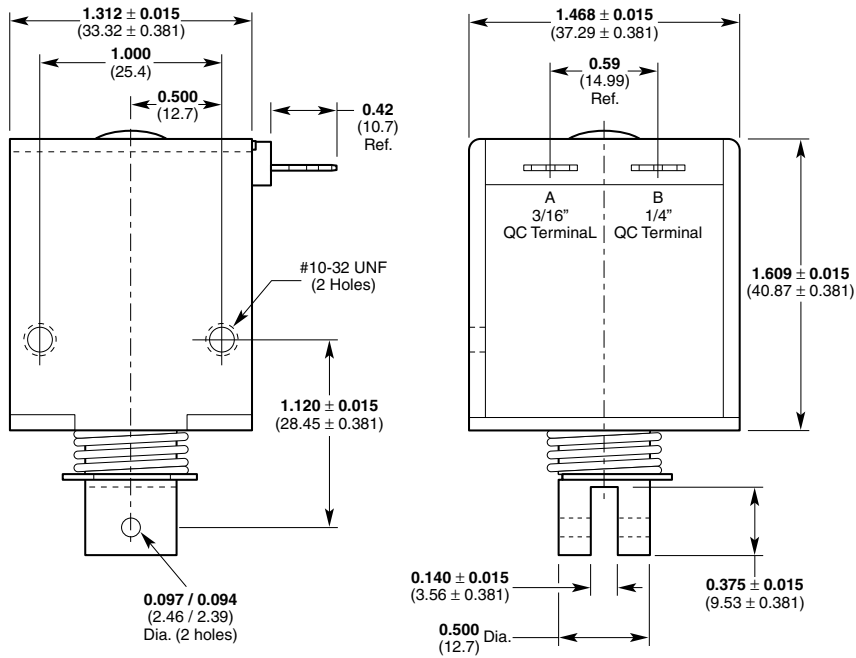
Ledex® Box Frame Magnetic Latching Dimensions

Inches (mm)

B17-L



B22-L



LINEAR Magnet Latch

All solenoids are illustrated in energized state

All specifications subject to change without notice.