

### FEATURES

#### DAC1138

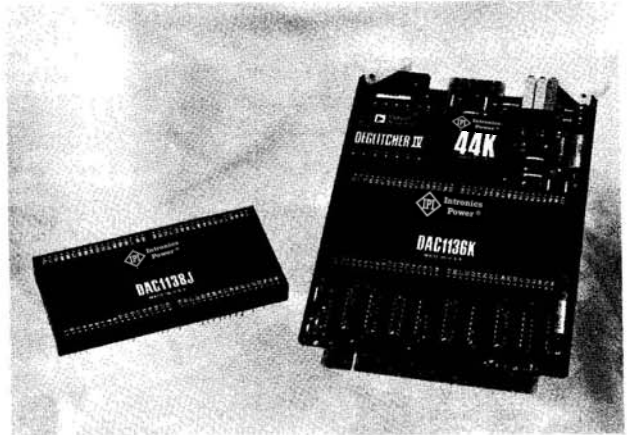
18-Bit Resolution and Accuracy ( $38\mu\text{V}$ , 1 Part in 262,144)  
 Nonlinearity 1/2LSB max (DAC1138K)  
 Excellent Stability  
 Settling to 1/2LSB (0.0002%) in  $10\mu\text{s}$   
 Hermetically-Sealed Semiconductors

#### DAC1136

16-Bit Resolution and Accuracy ( $152\mu\text{V}$ , 1 Part in 65,536)  
 Low Cost  
 Nonlinearity 1/2LSB max (DAC1136K, L)  
 Settling to 1/2LSB max (0.0008%) in  $6\mu\text{s}$

#### DEGLITCHER IV

Eliminates DAC Glitches  
 Available on DAC1136/1138 Card-Mounted Assembly



### GENERAL DESCRIPTION

The DAC1136/1138 are complete self-contained current or voltage output modular digital-to-analog converters with resolutions and accuracies of 16 and 18 bits.

The DAC1136/1138 combine precision current sources with state-of-the-art steering switches to produce a very linear output. Inputs to these converters are compatible with TTL levels. The converters have a current output of  $\sim 2\text{mA}$  full scale. A voltage output can be obtained by connecting the internal amplifier to the current output by means of jumpers. By using additional jumpers, the user can select any one of the following output ranges: 0 to  $+5\text{V}$ , 0 to  $+10\text{V}$ ,  $\pm 5\text{V}$ , or  $\pm 10\text{V}$ .

The DAC1136/1138 are available on Card-Mounted Assemblies. In this configuration, selectable options include: input codes, output amplifiers, and a high speed transient-suppressing Deglitcher Module, Deglitcher IV.

### WHERE TO USE HIGH RESOLUTION DACS

The DAC1136/1138 deliver exceptional accuracy for a broad range of display, test and instrumentation applications. The DAC1136, with a resolution of 16 bits or 1 part in 65,536, and the DAC1138 with a resolution of 18 bits or 1 part in 262,144 are ideally suited for applications requiring wide dynamic range measurement and control. Applications include data acquisition systems, high resolution CRT displays, automatic semiconductor testing, photo-typesetting, frequency synthesis and nuclear reactor control.

### CERTIFICATE OF CALIBRATION

Each DAC1138 has been calibrated with equipment and methods that are traceable to the National Bureau of Standards (NBS). A Certificate of Performance is sent with each unit, which includes linearity test data.

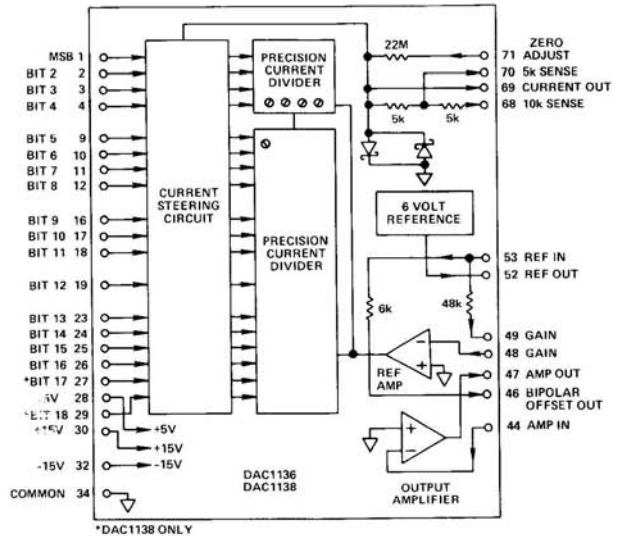


Figure 1. Block Diagram and Pin Designations

# SPECIFICATIONS (typical @ +25°C, rated power supplies unless otherwise noted; specifications for mounting card with amplifier/deglitcher options same as module unless otherwise noted)

	DAC1136 Module			DAC1136 on Mounting Card with Amplifier/Deglitcher Options.		
	J	K	L	Deglitcher IV (Internal AD542K)	Low Drift 234L w/wo Deglitcher	High Speed 44K w/wo Deglitcher
RESOLUTION, BITS	16					
ACCURACY Integral Nonlinearity Differential Nonlinearity Gain and Offset Error (Externally Adjustable)	± 1LSB max	± 1/2LSB max	± 1/2LSB max	Gain, offset and glitch-nulling adjustments provided on the mounting card.		
ANALOG OUTPUT Unipolar Mode Bipolar Mode Voltage Output Range (Pin Selectable)	-2mA to 0mA -1mA to +1mA 0 to +5V, 0 to +10V, ±5V, ±10V					
DIGITAL INPUTS	TTL/CMOS; See Figure 2					
INPUT CODES Unipolar Mode Bipolar Mode	Complementary Binary (COMP BIN) Complementary Offset Binary (COMP OBIN)			BIN, COMP BIN, 2's COMP, COMP 2's COMP OBIN, COMP OBIN SIGN PLUS MAG BIN, COMP SIGN PLUS MAG BIN		
STROBE INPUT	None			One standard series 74LS load, leading-edge triggered, pulse width 100ns minimum.		
DYNAMIC CHARACTERISTICS Settling Time to 1/2LSB Current Full Scale Step LSB Step Voltage Unipolar (10V Step) Bipolar (20V Step) LSB Step Slew Rate	8µs 6µs 90µs 250µs 8µs 1V/µs			Voltage Output, Only Voltage Output, Only 80µs   45µs   25µs 90µs   60µs   30µs 8µs   8µs   8µs 2V/µs   6V/µs   20V/µs		
TEMPERATURE COEFFICIENTS (ppm of FSR/°C) <sup>1</sup> Integral Nonlinearity Differential Nonlinearity Gain (Excluding V <sub>REF</sub> ) Offset Unipolar Mode Bipolar Mode	± 1 ± 1 ± 5	± 1 ± 1 ± 5	± 1.5 max ± 1.5 max ± 8 max	± 0.5	± 0.1	± 2
STABILITY, LONG TERM (ppm of FSR/1,000 hrs.) <sup>2</sup> Gain (Excluding V <sub>REF</sub> ) Offset	± 5 ± 6			± 1	± 0.5	± 25
NOISE (Include V <sub>REF</sub> ; Double for Bipolar Mode) Output Current (BW = 100kHz) Output Voltage (BW = 0.1-10Hz) or 0V (A11 1's Code; "ZERO") or 5V (MSB = 0 Code; "Half Scale") or 10V (A11 0's Code; "Full Scale") Output Voltage (BW = 100kHz)	0.5nA rms 4µV pk-pk 6µV pk-pk 9µV pk-pk 30µV rms			Voltage Output, Only 20µV rms   40µV rms   35µV rms		
VOLTAGE COMPLIANCE (Amplifier Offset, E <sub>OS</sub> ) Max E <sub>OS</sub> Allowed for Rated Accuracy Initial E <sub>OS</sub> (Factory Adj.) E <sub>OS</sub> Drift Current Output (pin 69) Voltage Protection Source Resistance Unipolar Mode Bipolar Mode Source Capacitance	± 2mV max ± 100µV ± 10µV/°C via Internal Schottky Diodes >33kΩ >5kΩ 150pF			± 50µV ± 5µV/°C	± 20µV ± 0.1µV/°C	± 100µV ± 15µV/°C
REFERENCE VOLTAGE (V <sub>REF</sub> ) Voltage (Z <sub>OUT</sub> = 200Ω) Noise, BW = 0.1-10Hz) Tempco	+ 6.000V (Maximum Error, ± 0.024V) 3µV pk-pk 5ppm/°C					
POWER SUPPLY REQUIREMENTS <sup>3</sup> - 5V dc, ± 5% ± 15V dc, ± 5%	9mA ± 30mA			± 38mA	95mA ± 37mA	± 40mA
POWER SUPPLY REJECTION (± 15V dc) Gain or Offset vs. FSR Differential Nonlinearity	80dB ± 1/4LSB per Volt ΔV <sub>S</sub>			100dB	100dB	75dB
ENVIRONMENTAL Operating Temperature Storage Temperature Humidity	0 to +70°C -55°C to +85°C 5% to 95%, Noncondensing			-55°C to +85°C	-55°C to +85°C	-55°C to +85°C

## NOTES

<sup>1</sup>Maximum temperature coefficients guaranteed from 15°C to 35°C, typical from 0 to +70°C.

<sup>2</sup>Recommended DNL calibration check: 6 months.

<sup>3</sup>Recommended Power Supply: Analog Devices Model 923.

Specifications subject to change without notice.

# SPECIFICATIONS (typical @ +25°C, rated power supplies unless otherwise noted; specifications for mounting card with amplifier/deglitcher options same as module unless otherwise noted)

	DAC1138 Module		DAC1138 on Mounting Card with Amplifier/Deglitcher Options.	
	J	K	Deglitcher IV (Internal ADS42K)	Low Drift 234L w/wo Deglitcher
RESOLUTION, BITS	18			
ACCURACY Integral Nonlinearity Differential Nonlinearity Gain and Offset Error (Externally Adjustable)	± 1LSB max ± 1LSB max	± 1/2LSB max ± 1/2LSB max	Gain, offset and glitch-nulling adjustments provided on the mounting card.	
ANALOG OUTPUT Unipolar Mode Bipolar Mode Voltage Output Range (Pin Selectable)	-2mA to 0mA -1mA to +1mA 0 to +5V, 0 to +10V, ±5V, ±10V			
DIGITAL INPUTS	TTL/CMOS; See Figure 2			
INPUT CODES Unipolar Mode Bipolar Mode	Complementary Binary (COMP BIN) Complementary Offset Binary (COMPOBIN)		BIN, COMP BIN, 2's COMP, COMP 2's COMP OBIN, COMP OBIN SIGN PLUS MAG BIN, COMP SIGN PLUS MAG BIN	
STROBE INPUT	None		One standard series 74LS load, leading-edge triggered, pulse width 100ns minimum.	
DYNAMIC CHARACTERISTICS Settling Time to 1/2LSB Current Full Scale Step LSB Step Voltage Unipolar (10V Step) Bipolar (20V Step) LSB Step Slew Rate	10µs 8µs 175µs 140µs 18µs 2V/µs		Voltage Output, Only Voltage Output, Only 80µs 90µs 18µs 2V/µs	
TEMPERATURE COEFFICIENTS (ppm of FSR/°C) Integral Nonlinearity Differential Nonlinearity Gain (Excluding V <sub>REF</sub> ) Offset Unipolar Mode Bipolar Mode	± 0.3 ± 0.4 ± 0.8 ± 0.5 ± 1		± 0.5 ± 0.1	
STABILITY, LONG TERM (ppm of FSR/1,000 hrs.) <sup>1</sup> Gain (Excluding V <sub>REF</sub> ) Offset	± 2 ± 2		± 1 ± 0.5	
NOISE (Include V <sub>REF</sub> ; Double for Bipolar Mode) Output Current (BW = 100kHz) Output Voltage (BW = 0.1-10Hz) (@ 0V (A111's Code; "ZERO")) (@ 5V (MSB = 0 Code; "Half Scale")) (@ 10V (A110's Code; "Full Scale")) Output Voltage (BW = 100kHz)	0.5nA rms 4µV pk-pk 6µV pk-pk 9µV pk-pk 30µV rms		Voltage Output, Only 20µV rms 40µV rms	
VOLTAGE COMPLIANCE (Amplifier Offset, E <sub>OS</sub> ) Max E <sub>OS</sub> Allowed for Rated Accuracy Initial E <sub>OS</sub> (Factory Adj.) E <sub>OS</sub> Drift Current Output (pin 69) Voltage Protection Source Resistance Unipolar Mode Bipolar Mode Source Capacitance	± 200µV max ± 100µV ± 10µV/°C via Internal Schottky Diodes >33kΩ >5kΩ 150pF		± 50µV ± 5µV/°C ± 20µV ± 0.1µV/°C	
REFERENCE VOLTAGE (V <sub>REF</sub> ) Voltage (Z <sub>OUT</sub> ≈ 200Ω) Noise (BW = 0.1-10Hz) Tempco	+ 6.000V (Maximum Error, ± 0.024V) 3µV pk-pk 5ppm/°C			
POWER SUPPLY REQUIREMENTS <sup>2</sup> +5V dc, ± 5% ± 15V dc, ± 5%	9mA ± 30mA		± 38µA ± 37mA	
POWER SUPPLY REJECTION (± 15V dc) Gain or Offset vs. FSR Differential Nonlinearity	80dB ± 1/4LSB per Volt ΔV <sub>S</sub>		100dB 75dB	
ENVIRONMENTAL Operating Temperature Storage Temperature Humidity	0 to +70°C -55°C to +85°C 5% to 95%, Noncondensing		-55°C to +85°C -55°C to +85°C	

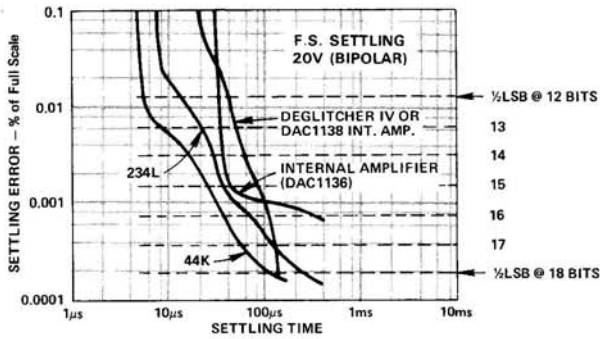
## NOTES:

<sup>1</sup>Recommended DNL calibration check: 6 months.

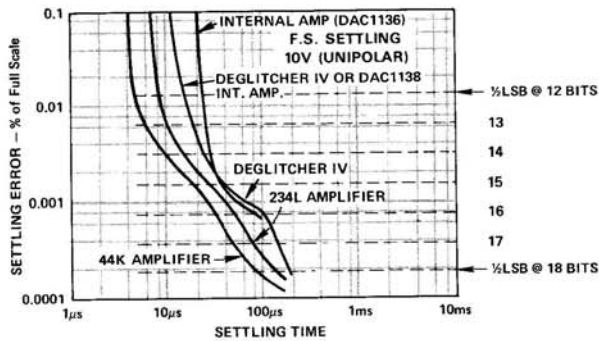
<sup>2</sup>Recommended Power Supply Analog Devices: Model 923.

Specifications subject to change without notice.

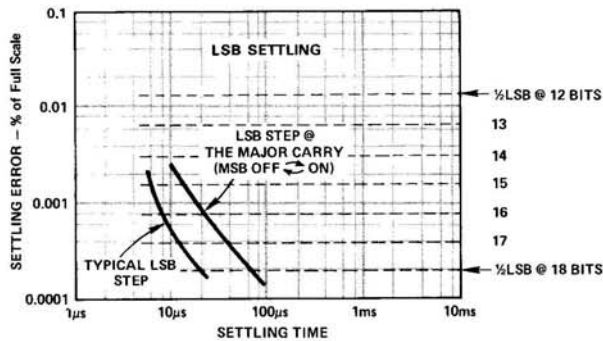
# Characteristic Curves\*



Settling Time (Voltage Output) vs. %-of-Full-Scale Error for 20V Output Step (+10V ↔ -10V)



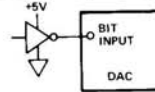
Settling Time (Voltage Output) vs. %-of-Full-Scale Error for 10V Output Step (0V ↔ +10V)



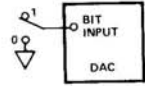
Settling Time (Voltage Output) vs. %-of-Full-Scale Error for LSB Steps (Essentially Independent of Amplifier Used). With Deglitcher IV, the LSB Step at the Major Carry Settles as Fast as the Typical LSB Step, Following the 11µs Hold Period.

## INPUT CONSIDERATIONS

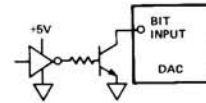
The DAC1136/1138 may be driven by TTL or CMOS as shown in Figure 2. Note that the TTL input is shown with inputs for both a direct "totem pole" TTL gate and open collector (or "pull-up") configurations.



2a. TTL Totem Pole<sup>1</sup>



2b. Switch or Relay Input<sup>2</sup>



2c. CMOS Input

1. FOR TTL WITH OPEN COLLECTOR, DO NOT USE EXTERNAL PULL-UP. CONVERTERS HAVE INTERNAL 10kΩ PULL-UP ON EACH INPUT TO 3.8V.
2. USE SPST SWITCH OR RELAY TO GROUND. WHEN SWITCH IS OPEN, THE INTERNAL 10kΩ WILL PULL INPUT UP TO 3.8V.

Figure 2. Input Connections

## OUTPUT CONNECTIONS AND GUARDING

The DAC1136/1138 output connections for various voltage ranges are shown in Figure 3.

Since an LSB is only 38µV (at 10 volts full scale for the DAC1138), care must be exercised to properly guard the current output of the converter from leakage current. Any connection made to the DAC's current output (pin 69) should be guarded. Suggested printed circuit board guarding is shown in Figure 3. The optional Card-Mounted Assemblies of the DAC1136/1138 have been carefully designed for optimum guarding and performance.

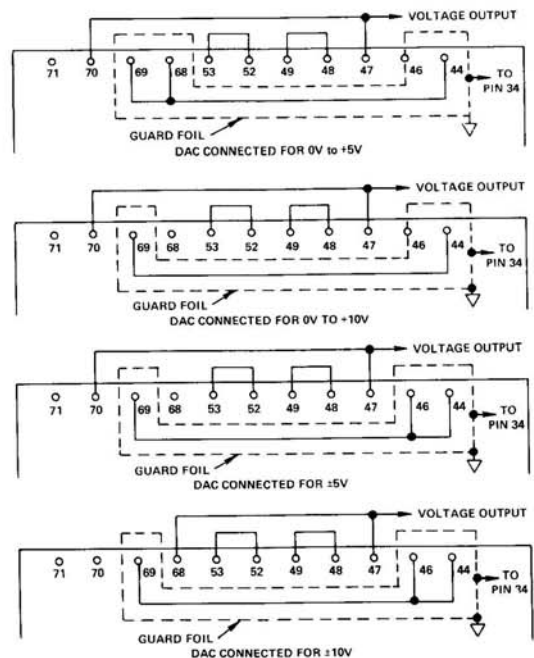


Figure 3. Output Voltage Connections and Suggested PCB Guarding (Unipolar and Bipolar)

\*NOTE: All curves typical at rated supply voltage.  
F.S. = Full Scale

## GAIN AND OFFSET ADJUSTMENTS

The gain and offset adjustments are made with external potentiometers which the user supplies. With the appropriate digital inputs applied, these potentiometers are adjusted until the desired output voltage is obtained. The proper connections for offset and gain are shown in Figure 4. The voltmeter used to measure the output should be capable of stable resolution of 1/4LSB in the region of zero and full scale. Because of the interaction between offset and gain adjustments, the adjustment procedure described below should be carefully followed. Offset adjustment affects gain, but gain adjustment does not affect offset.

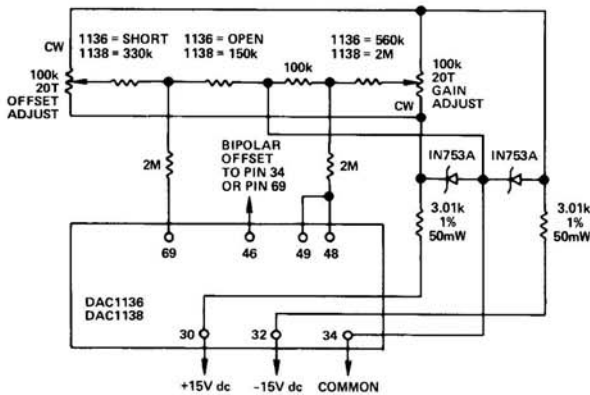


Figure 4. Gain and Offset Adjustments

For unipolar mode, apply a digital input of all "1's" (complementary binary code for zero output) and adjust the offset potentiometer until a 0.00000V output is obtained (see Table 1). Once the appropriate offset adjustment has been made, apply a digital input of all "0's". Adjust the gain potentiometer until the plus full scale output is obtained (see Table 1).

For bipolar mode, apply a digital input of all "1's" (complementary offset binary code for minus full scale) and adjust the offset potentiometer for the proper minus full scale output voltage (see Table 1). Once the appropriate minus full scale adjustment has been made, apply a digital input of all "0's". Adjust the gain potentiometer until the plus full scale output shown below is obtained.

RANGE	IDEAL OUTPUT	DAC1138		DAC1136	
		All 00...0			
Unipolar:	All 11...1	All 00...0			
0V → +10V	0.00000V	+9.999962V	+9.999848V		
0V → +5V	0.00000V	+4.999981V	+4.999924V		
Bipolar:					
-10V → +10V	-10.00000V	+9.999934V	+9.999695V		
-5V → +5V	-5.00000V	+4.999962V	+4.999848V		
To adjust:	Adjust ZERO pot	Adjust GAIN pot			

Table 1. Full Scale Output

## DIFFERENTIAL LINEARITY ADJUSTMENT

Each DAC1136/1138 has been factory calibrated and tested to achieve the performance indicated in the electrical specifications. Before attempting recalibration, it is imperative that the circuit be checked to confirm that all previously described precautions have been taken to insure proper application at the 16- or 18-bit level. Basically, the DAC is trimmed by comparing a bit to the sum of all lower bits, and adjusting, if necessary, for a one LSB positive difference. The top 4 major carries, i.e., MSB minus the sum of bits 2-through-the-LSB, down through bit 4 minus the sum of bits 5-through-the-LSB, can be trimmed using the procedure outlined below. A differential voltmeter capable of 100 $\mu$ V Full Scale should be connected to  $V_{OUT}$  of the DAC. This will resolve an LSB which at 18 bits is 38 $\mu$ V (10V range). A Fluke 895A or equivalent is recommended.

### 1. Bit 4 Trim

- Set bit inputs to 11110 . . . . 0.
- Read the output voltage by nulling the voltmeter.
- Set bit inputs to 11101 . . . . 1.
- Read voltage by nulling voltmeter. This reading should be equal to that of step 1b plus 1LSB. Adjust bit 4 if required (see B4, Figure 6).

### 2. Bit 3 Trim

- Set bit inputs to 1110 . . . . 0.
- Read output voltage by nulling the voltmeter.
- Set inputs to 1101 . . . . 1.
- Read voltage by nulling the voltmeter. This reading should be equal to that of step 2b plus 1LSB. Adjust bit 3 if required (see B3, Figure 6).

### 3. Bit 2 Trim

- Set bit inputs to 110 . . . . 0.
- Read output voltage by nulling the voltmeter.
- Set bit inputs to 101 . . . . 1.
- Read voltage by nulling voltmeter. This reading should be equal to that of step 3b plus 1LSB. Adjust bit 2 if required (see B2, Figure 6).

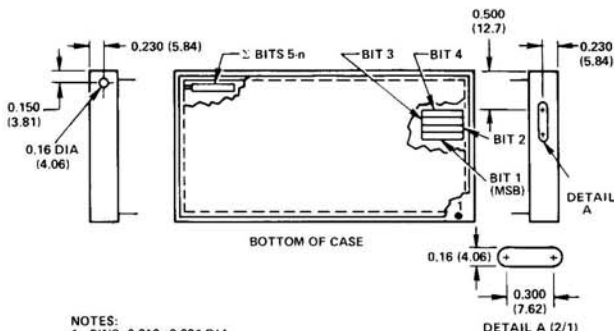
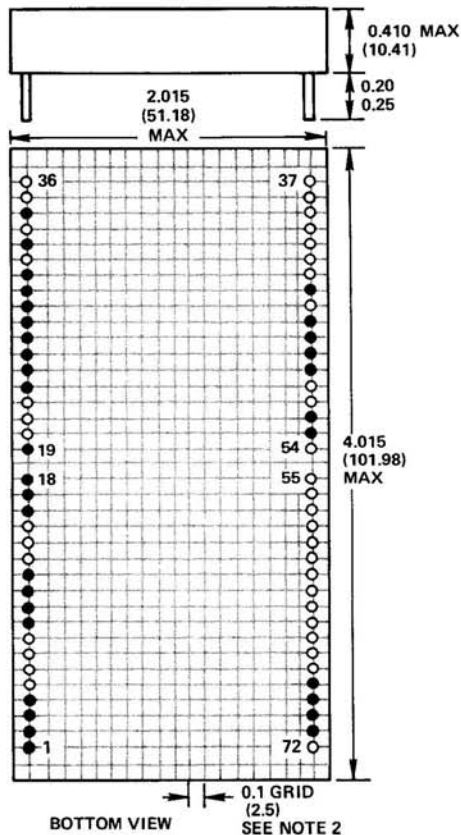
### 4. Bit 1 (MSB) Trim

- Set bit switches to 100 . . . . 0.
- Read output voltage by nulling the voltmeter.
- Set bit switches to 011 . . . . 1.
- Read voltage by nulling voltmeter. This reading should be equal to that of step 4b plus 1LSB. Adjust bit 1 (MSB) if required (see MSB, Figure 6).

If insufficient range exists on any adjustment, then a separate adjustment for the weight of bits 5-through-the-LSB (see Sum B5 → LSB, Figure 6) should be performed. This condition will probably not occur on bit 2, 3 and 4 but might occur on the MSB. If adjustment of the sum of bits 5-through-the-LSB is made, the trim procedure for all bits should be repeated. Obviously, since the procedure affects the weight of individual bits, it affects the overall gain of the DAC. The final step should be adjustment of gain (user supplied adjustment external to module, or pot at edge of mounting card).

## OUTLINE DIMENSIONS AND PIN DESIGNATIONS

Dimensions shown in inches and (mm).



- NOTES:
1. PINS: 0.019 ± 0.001 DIA.
  2. GRID AND MARKINGS NEXT TO PINS ARE FOR REFERENCE ONLY AND DO NOT APPEAR ON UNIT.
  3. PINS 27 AND 29 ARE NOT PRESENT ON DAC1136.

### ASSEMBLY INSTRUCTIONS

**CAUTION:** This module is not an embedded assembly and is not hermetically sealed. Do not subject to a solvent or water-wash process that would allow direct contact with free liquids or vapors. Entrapment of contaminants may occur, causing performance degradation and permanent damage. Install after any clean/wash process and then only spot clean by hand.

### USING AN EXTERNAL 6V REFERENCE

The DAC1136/1138 can be operated with an external reference connected to pin 53 of the module. The current drain on the external reference will be 1.125mA in bipolar mode or 0.125mA in unipolar mode (pin 46 should be left open and not grounded when using an external reference in the unipolar mode). When an external reference is used, pin 52, (the output of the internal reference) is left open.

Codi Semiconductor manufactures a reference module called Certavolt<sup>1</sup> with a 10 volt output accurate to 0.001%. This output is temperature compensated to within 1ppm/°C from +15°C to +55°C. The Certavolt requires a power supply of +28V dc @ 20mA. To convert the +10 volt output of the Certavolt to the +6 volt required by the DAC, the circuit shown in Figure 5 is recommended.

<sup>1</sup> Certavolt is a registered trade name by Codi Semiconductor.

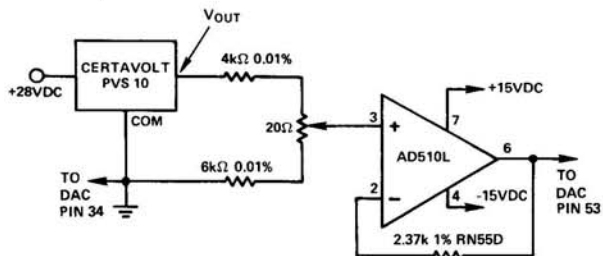
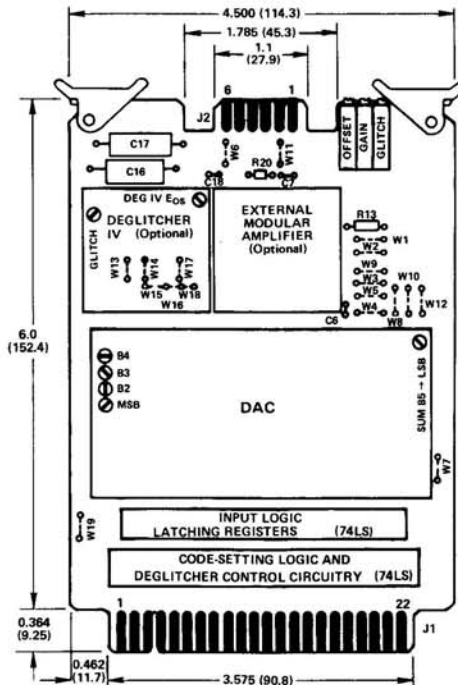


Figure 5. DAC1136/1138 with External Precision Reference

### OPTIONAL CARD-MOUNTED ASSEMBLY

Analog Devices offers an optional Card-Mounted Assembly designed to provide optimum performance at the 18-bit level. As shown in Figure 6, this 4 1/2" X 6" printed circuit card includes the appropriate DAC GAIN and OFFSET adjustment potentiometers, power supply bypass capacitors and input registers. The Card-Mounted Assembly can be ordered with custom code-setting logic, external output amplifiers, and a Deglitcher IV.



- W'S INDICATE JUMPER POSITIONS.  
TO ISOLATE ANALOG AND DIGITAL GROUND W7 IS OMITTED.  
W6 AND W11 ARE NOT INSTALLED WHEN USER DESIRES 4-WIRE CONNECTION TO J2 WHEN EITHER A 44K OR 234L AMPLIFIER IS USED.

Figure 6. Card-Mounted Assembly. Dimensions shown in inches and (mm).

## CARD-MOUNTED ASSEMBLY JUMPER DESIGNATIONS

The output voltage range, reference source, amplifier and deglitcher configurations are programmed at the factory by means of jumpers, resistors, and capacitors (see ordering guide for details). The mounting card can be programmed by the user, if necessary, as shown below.

<u>Output Voltage Range</u>	<u>Install Jumpers</u>
±10V	W10, W5
±5V	W12, W5
+10V	W12, W3
<u>Reference</u>	<u>Install Jumpers</u>
Internal	W2
External	W1
<u>Amplifier</u>	<u>Install Jumpers</u>
Internal	W4, W9
External <sup>1</sup>	W8, W13
Deglitcher IV <sup>2</sup>	W8, W15, W17, W18
Deg. IV with Ext Amp <sup>3</sup>	W8, W14, W16

### NOTES:

- <sup>1</sup> With a 234L amplifier install C7 (0.01μF, 10%, ceramic capacitor). With a 44K amplifier use a variable resistor (typ value ≈ 499Ω, 0.1W, 1%) to adjust the output voltage for a ±100μV reading as measured between pins 69 and 34 of the DAC (this step sets voltage compliance); install this value resistor (R13 position).
- <sup>2</sup> With Deglitcher IV remove R20 (100Ω) and replace the resistor with a jumper.
- <sup>3</sup> With Deglitcher IV and a 234L amplifier remove C6 (6.8pF Capacitor) and install: C7 (0.01μF, 10%, ceramic capacitor), C18 (100pF, 10%, ceramic capacitor), C17 (1000pF, 10%, polystyrene capacitor) and replace R20 (100Ω) with a jumper. With Deglitcher IV and a 44K amplifier perform the operation described in Note 1, remove C6 (6.8pF capacitor) and install: C18 (100pF, 10%, ceramic capacitor), C17 (1000pF, 10% polystyrene capacitor) and replace R20 (100Ω) with a jumper.

CONNECTOR J1			
PIN	FUNCTION	PIN	FUNCTION
A	BIT 1	U	STROBE
B	BIT 2	V	BIT 18 <sup>1</sup>
C	BIT 3	W	+5V
D	BIT 4	X	+15V
E	BIT 5	Y	-15V
F	BIT 6	Z	DIGITAL GND
H	BIT 7	1-4	NC
J	BIT 8	5	INTERLOCK
K	BIT 9	6	INTERLOCK
L	BIT 10	7-16	NC
M	BIT 11	17	BIT 17 <sup>1</sup>
N	BIT 12	18	
P	BIT 13	19	
R	BIT 14	20	
S	BIT 15	21	
T	BIT 16	22	

J1 MATES WITH CINCH P.N. 251-22-30-160 (SUPPLIED).

<sup>1</sup> DAC1138 ONLY

CONNECTOR J2	
PIN	FUNCTION
1	ANALOG SENSE LOW
2	ANALOG SOURCE LOW
3	NC
4	ANALOG SOURCE HIGH
5	ANALOG SENSE HIGH
6	ANALOG REF. IN/OUT
A	ANALOG REF. IN/OUT
B	ANALOG SENSE HIGH
C	ANALOG SOURCE HIGH
D	NC
E	ANALOG SOURCE LOW
F	ANALOG SENSE LOW

J2 MATES WITH CINCH P.N. 251-06-30-160 (SUPPLIED).

### Mounting Card Connector Designations

## DEGLITCHER IV

The Deglitcher IV is a precision high-speed, high-isolation sample-and-hold circuit which eliminates the glitches that occur whenever a DAC is dithered through a major carry. Such momentary transients can be of concern in applications such as high-resolution CRT beam positioning, where glitch-free code transitions are often required for optimum display quality and legibility. Oscilloscope photographs in Figures 7a and 7b below show the output of a DAC1136 being dithered up and down through the major carry, between codes 1000000000000000 and 0111111111111111. In Figure 7b, the Deglitcher IV is turned on virtually eliminating the glitches and allowing the 152μV LSB step to be clearly seen.

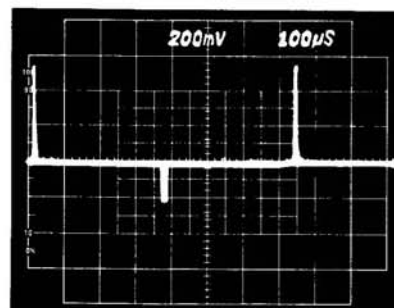


Figure 7a. DAC1136; Major-Carry Dither without Deglitcher IV (BW = 1MHz), Vertical Scale 0.2V/Division

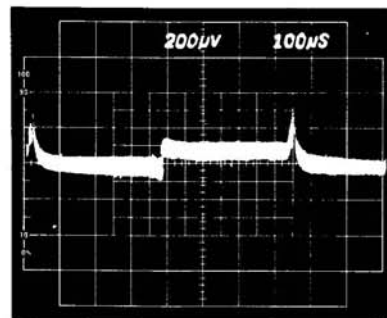


Figure 7b. Same Major-Carry Dither with Deglitcher IV (BW = 1MHz), Vertical Scale, 200μV/Division

The Deglitcher IV utilizes a proprietary sampling technique which isolates the output amplifier during the critical 10μs period immediately following a code change. The only discernible difference in DAC performance when used with Deglitcher IV is a delay of approximately 11μs after the strobe goes HI before the (deglitched) DAC output voltage starts slewing toward the new value.


## GLITCH ADJUSTMENT

There are two "Glitch" adjustment potentiometers, accessible on the Card-Mounted Assembly. The adjustment on the card permits nulling of any Track-to-Hold offset, whereas the adjustment internal to the Deglitcher IV allows for precise nulling of the Hold-to-Track transient. Because of the near-infinite attenuation of the actual DAC current glitches, no current-glitch transient is visible on the output. For this reason, it is easiest to null the 2 Deglitcher adjustments while strobing the Card with a static digital input.

### INPUT OPTIONS

The Card-Mounted Assembly contains input registers. The input code ordered by the user is set at the factory by means of various jumpers in the logic circuitry. See ordering guide for details.

Since the Card-Mounted Assembly contains input registers, the card requires a strobe pulse circuit. Strobe characteristics of input registers are:

1.  Strobe Pulse: One Std. series 74LS load, Leading-Edge-Triggered. Positive pulse should remain HI for > 100ns.
2. The digital input code can be changed at any time up to and including that instant when the strobe command goes HI.
3. The actual transfer of the input code to the DAC will occur  $\approx 3\mu\text{s}$  after the strobe command; during this  $3\mu\text{s}$  the digital input code to the card assembly should not be changed, in order to prevent the possible coupling of logic noise into the DAC output. At  $\tau_0 + 3\mu\text{s}$ , the deglitcher is automatically enabled for the following  $\approx 8\mu\text{s}$ . Thus there will be a delay of  $\approx 11\mu\text{s}$  before the deglitched output starts slewing to the new value. Actual data transfer to the DAC automatically occurs at  $\tau_0 + 3.1\mu\text{s}$ .

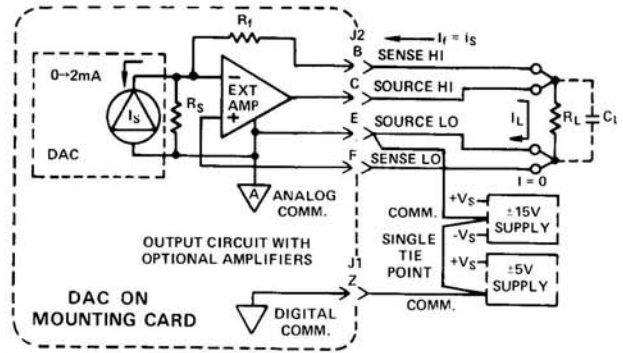
### OUTPUT OPTIONS

The Card-Mounted Assembly for the DAC1136/1138 allows for several user-selectable output configurations:

1. Internal Output Amplifier inside the DAC Module.
2. Analog Devices model 234L; for low noise, low drift applications ( $2\mu\text{V}$ ,  $\pm 0.1\mu\text{V}/^\circ\text{C}$ ).

3. Analog Devices model 44K; available only with DAC1136 recommended only for high speed or high current applications.
4. Deglitcher IV with self-contained precision BI-FET output amplifier (AD542K).
5. Deglitcher IV with model 234L output amplifier.
6. Deglitcher IV with model 44K output amplifier (recommen with DAC1136 only).

When using an external amplifier, a four terminal output connection can be utilized on the Card-Mounted Assembly in order to allow for compensation of connector contact resistance.



NOTE:

1. VOLTAGE DROP BETWEEN SOURCE LO AND SENSE LO MUST OBSERVE CURRENT MODE COMPLIANCE LIMITS FOR RATED ACCURACY.
2. THIS CONNECTION SCHEME CANNOT BE USED WITH INTERNAL AMPLIFIER OF THE DAC OR WITH THE AMPLIFIER INTERNAL TO THE DEGLITCHER IV.

Figure 8. Four-Terminal Output Connections

### ORDERING GUIDE

WHEN ORDERING THE DAC1136 OR DAC1138, ORDER EITHER:

- |                 |                                  |                      |
|-----------------|----------------------------------|----------------------|
| 1. Module only: | DAC1136J<br>DAC1136K<br>DAC1136L | DAC1138J<br>DAC1138K |
|-----------------|----------------------------------|----------------------|

2. DAC1136/1138 as a Card-Mounted Assembly:

DAC113			
CODE	CODE	RESOLUTION	LINEARITY
6	J	16 BITS	15 BITS
6	K	16 BITS	16 BITS
6	L	16 BITS	16 BITS
8	J	18 BITS	17 BITS
8	K	18 BITS	18 BITS

CODE	OUTPUT AMPLIFIER
1	INTERNAL
2	44K <sup>1</sup>
3	234L
4	DEGLITCHER IV
5	DEGLITCHER IV <sup>1</sup> AND 44K
6	DEGLITCHER IV AND 234L

CODE	INPUT LOGIC CODE
1	BIN/OBIN
2	COMP BIN/COMP OBIN
3	2'S COMP
4	COMP 2'S COMP
5	SIGN PLUS MAG BIN
6	COMP SIGN MAG BIN

CODE	OUTPUT VOLTAGE RANGE
1	+10V
2	$\pm 5\text{V}$
3	$\pm 10\text{V}$

CODE	DAC VOLTAGE REFERENCE
1	INTERNAL
2	EXTERNAL

NOTE 1: NOT AVAILABLE FOR DAC1136L, DAC1138J AND DAC1138K.