

FEATURES AND SPECIFICATIONS

Features and Benefits

- Sizes 2 to 15 circuits
- Low profile of 3.5mm
- Locking window secures terminal to housing

Reference Information

Packaging: Bag
 Use With: [50061/50080](#)
 Designed In: Millimeters

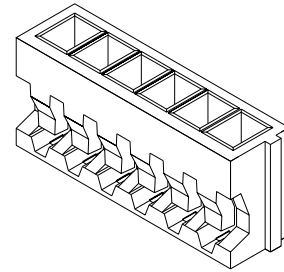
Physical

Housing: PBTP, UL 94V-0
 Operating Temperature: -40 to +85°C



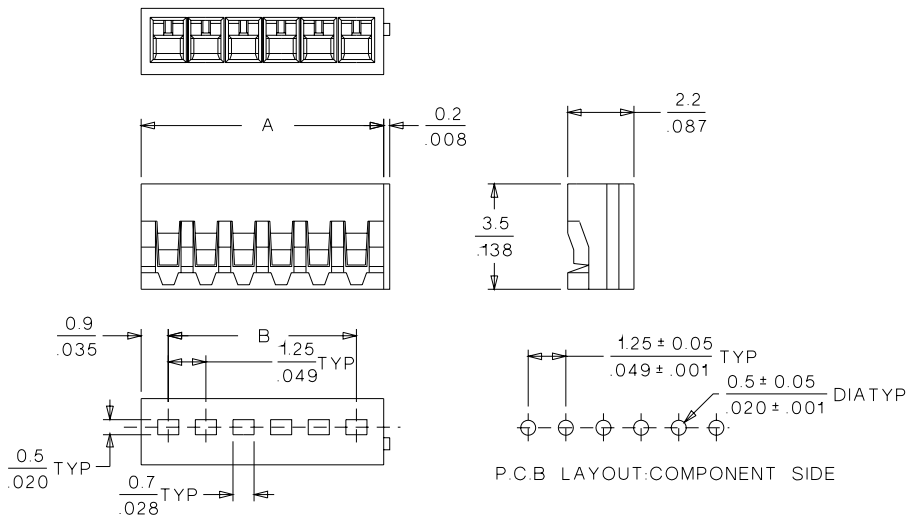
1.25mm (.049") Pitch Board-In Connector Housing

51022



0.40 to 1.60mm (.016 to .063") Pitch

CATALOG DRAWING (FOR REFERENCE ONLY)



ORDERING INFORMATION AND DIMENSIONS

Circuits	Order No.	Dimension	
		A	B
2	51022-0200	3.05 (.120)	1.25 (.049)
3	51022-0300	4.30 (.169)	2.50 (.098)
4	51022-0400	5.55 (.219)	3.75 (.147)
5	51022-0500	6.80 (.268)	5.00 (.196)
6	51022-0600	8.05 (.317)	6.25 (.246)
7	51022-0700	9.30 (.366)	7.50 (.295)
8	51022-0800	10.55 (.415)	8.75 (.344)
9	51022-0900	11.80 (.465)	10.00 (.393)
10	51022-1000	13.05 (.514)	11.25 (.442)
11	51022-1100	14.30 (.563)	12.50 (.492)
12	51022-1200	15.55 (.612)	13.75 (.541)
13	51022-1300	16.80 (.661)	15.00 (.590)
14	51022-1400	18.05 (.711)	16.25 (.639)
15	51022-1500	19.30 (.760)	17.50 (.688)