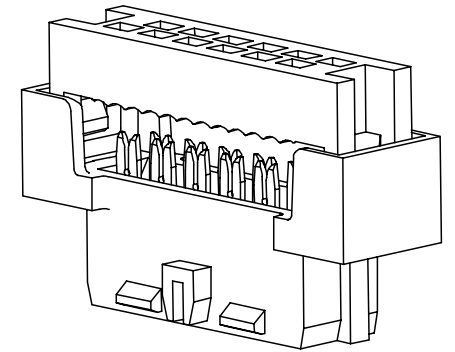
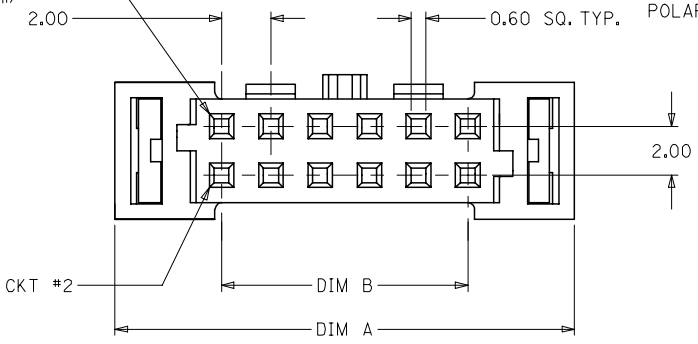
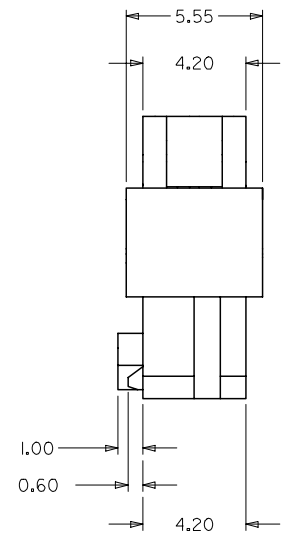
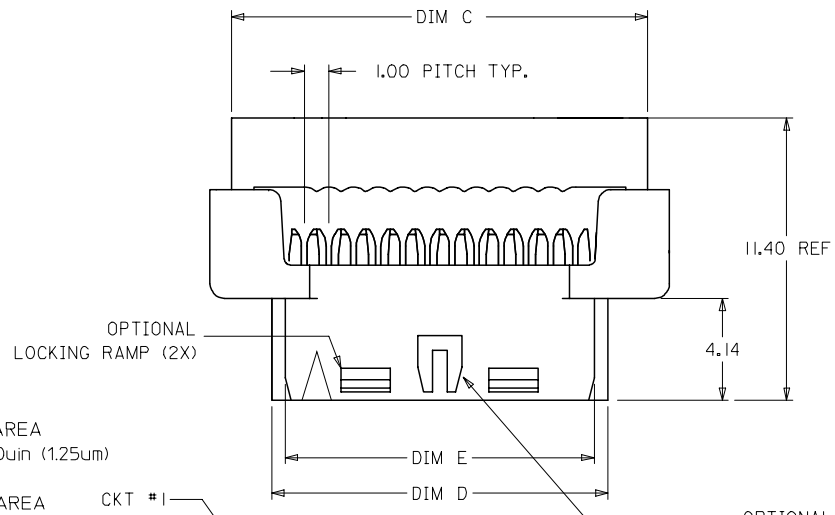


10 9 8 7 6 5 4 3 2 1

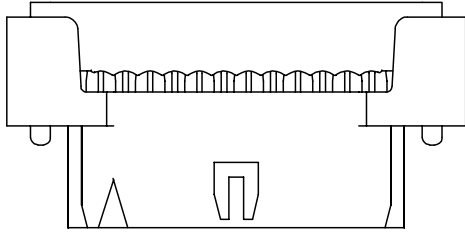
1. MATERIALS:
 HOUSING - PBT, GLASS FILLED UL94V-0 BLACK
 TERMINAL - COPPER ALLOY
2. FINISHES
 PLATING 3 - 15µin (0.38µm) SELECTIVE GOLD IN CONTACT AREA
 AND 75µin (1.88µm) TIN IN IDT AREA OVER 50µin (1.25µm)
 NICKEL OVERALL.
 PLATING 4 - 30µin (0.76µm) SELECTIVE GOLD IN CONTACT AREA
 AND 75µin (1.88µm) TIN IN IDT AREA OVER 50µin (1.25µm)
 NICKEL OVERALL.
3. PRODUCT SPEC PS-87568-004 APPLIES
4. FOR ILLUSTRATION PURPOSES, I2 CKT IS SHOWN
5. PART MATES WITH ALL MILLIGRID HEADERS WITH MATING LENGTH
 BETWEEN 2.50mm AND 4.20mm
6. PART IS DESIGNED FOR 1.00mm PITCH FLAT CABLE, 7 STRANDS,
 AWG #28, UL2651 AND UL2678
7. ALL OTHER CIRCUIT SIZES, CONTACT FACTORY.
8. STRAIN RELIEF TO BE PURCHASED SEPERATELY,
 REFER TO SD-87569-008



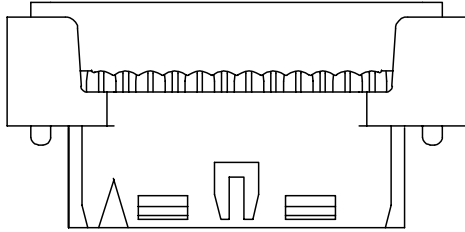
| OBS TIN/LEAD P/N EC NO: S2006-0732 DRWN:MLONG CHKD:NAGESHKN APPR:PTLIM | REV DESCRIPTION | QUALITY SYMBOLS | GENERAL TOLERANCES (UNLESS SPECIFIED) | DIMENSION STYLE | SCALE | DESIGN UNITS | THIRD ANGLE PROJECTION | | | | | | | | | | | | | | | |
|--|--|--------------------------------|--|--|--|---------------------|------------------------|-------|-------|----------|-------|-------|----------|--------|-------|---------|-------|-------|---------|-----|--------|--|
| | | $\nabla = 0$ $\nabla C = 0$ | <table border="1"> <thead> <tr> <th></th> <th>mm</th> <th>INCH</th> </tr> </thead> <tbody> <tr> <td>4 PLACES</td> <td>± ---</td> <td>± ---</td> </tr> <tr> <td>3 PLACES</td> <td>± ---</td> <td>± ---</td> </tr> <tr> <td>2 PLACES</td> <td>± 0.15</td> <td>± ---</td> </tr> <tr> <td>1 PLACE</td> <td>± ---</td> <td>± ---</td> </tr> </tbody> </table> | | mm | INCH | 4 PLACES | ± --- | ± --- | 3 PLACES | ± --- | ± --- | 2 PLACES | ± 0.15 | ± --- | 1 PLACE | ± --- | ± --- | MM ONLY | NTS | METRIC | |
| | | | mm | INCH | | | | | | | | | | | | | | | | | | |
| | | 4 PLACES | ± --- | ± --- | | | | | | | | | | | | | | | | | | |
| 3 PLACES | ± --- | ± --- | | | | | | | | | | | | | | | | | | | | |
| 2 PLACES | ± 0.15 | ± --- | | | | | | | | | | | | | | | | | | | | |
| 1 PLACE | ± --- | ± --- | | | | | | | | | | | | | | | | | | | | |
| | DRAFT WHERE APPLICABLE MUST REMAIN WITHIN DIMENSIONS | SEE TABLE | MOLEX INCORPORATED SD-87568-003 | | MGRID 2MM DUAL ROW IDT RECEPTACLE | | | | | | | | | | | | | | | | | |
| | | | | DRAWN BY: AGARWAL CHECKED BY: SQUEK APPROVED BY: JAMES DATE: 1997/08/05 DATE: 1997/09/03 DATE: 1997/09/03 | TITLE: MGRID 2MM DUAL ROW IDT RECEPTACLE MOLEX INCORPORATED | SHEET NO. 1 OF 3 | | | | | | | | | | | | | | | | |

9 8 7 6 5 4 3 2 1

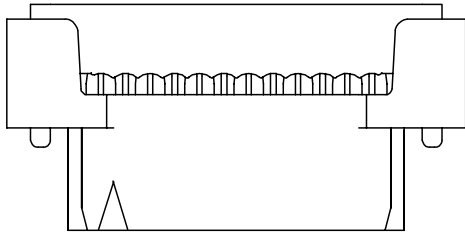
10 9 8 7 6 5 4 3 2 1



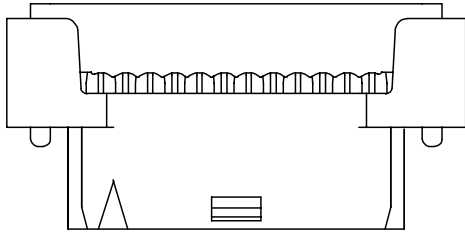
87568-***4*
POLARIZATION ONLY
(APPLICABLE FOR 14 TO 50 CKT)



87568-***9*
POLARIZATION AND RAMP LOCKING
(APPLICABLE FOR 14 TO 50 CKT)

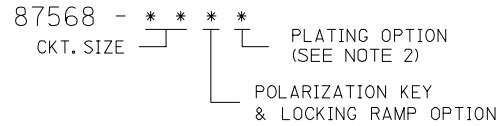


87568-***6*
NO POLARIZATION/RAMP FEATURE
(APPLICABLE FOR 10 TO 50 CKT)



87568-***7*
SINGLE RAMP LOCKING ONLY
(APPLICABLE FOR 10 TO 12 CKT)

| ENGINEERING NUMBER | CKT. SIZE | A | B | C | D | E |
|--------------------|-----------|-------|-------|-------|-------|-------|
| 87568-10** | 10 | 16.65 | 8.00 | 14.90 | 11.65 | 10.55 |
| 87568-12** | 12 | 18.65 | 10.00 | 16.90 | 13.65 | 12.55 |
| 87568-14** | 14 | 20.65 | 12.00 | 18.90 | 15.65 | 14.55 |
| 87568-16** | 16 | 22.65 | 14.00 | 20.90 | 17.65 | 16.55 |
| 87568-20** | 20 | 26.65 | 18.00 | 24.90 | 21.65 | 20.55 |
| 87568-22** | 22 | 28.65 | 20.00 | 26.90 | 23.65 | 22.55 |
| 87568-24** | 24 | 30.65 | 22.00 | 28.90 | 25.65 | 24.55 |
| 87568-26** | 26 | 32.65 | 24.00 | 30.90 | 27.65 | 26.55 |
| 87568-30** | 30 | 36.65 | 28.00 | 34.90 | 31.65 | 30.55 |
| 87568-34** | 34 | 40.65 | 32.00 | 38.90 | 35.65 | 34.55 |
| 87568-36** | 36 | 42.65 | 34.00 | 40.90 | 37.65 | 36.55 |
| 87568-40** | 40 | 46.65 | 38.00 | 44.90 | 41.65 | 40.55 |
| 87568-44** | 44 | 50.65 | 42.00 | 48.90 | 45.65 | 44.55 |
| 87568-50** | 50 | 56.65 | 48.00 | 54.90 | 51.65 | 50.55 |



- 4 - WITH POLARIZATION ONLY FOR 14 - 50 CKT
- 6 - WITHOUT POLARIZATION AND RAMP LOCKING
- 7 - WITH SINGLE RAMP LOCKING ONLY FOR 10 & 12 CKT
- 9 - WITH POLARIZATION AND RAMP LOCKING FOR 14 - 50 CKT

10-12 CIRCUIT SIZE HAS ONLY ONE RAMP FOR LOCKING (OPTIONAL)

14-50 CIRCUIT SIZE HAS BOTH POLARIZATION AND RAMP LOCKING (OPTIONAL)

| OBS TIN/LEAD P/N EC NO: S2006-0732 DRWN:MLONG CHKD:NAGESHKN APPR:PTLIM | 2006/04/03 2006/04/04 2006/04/06 | DESCRIPTION REV | QUALITY SYMBOLS ▽=0 ▽C=0 | GENERAL TOLERANCES (UNLESS SPECIFIED) | DIMENSION STYLE MM ONLY | SCALE NTS | DESIGN UNITS METRIC | THIRD ANGLE PROJECTION | | | | | | | | | | | | | | | | |
|--|--|----------------------|--------------------------------|--|---|---------------------|------------------------|------------------------|-------|-------|----------|-------|-------|----------|--------|-------|---------|-------|-------|---------------------|--------------------|--|--|--|
| | | | | <table border="1"> <thead> <tr> <th></th> <th>mm</th> <th>INCH</th> </tr> </thead> <tbody> <tr><td>4 PLACES</td><td>± ---</td><td>± ---</td></tr> <tr><td>3 PLACES</td><td>± ---</td><td>± ---</td></tr> <tr><td>2 PLACES</td><td>± 0.15</td><td>± ---</td></tr> <tr><td>1 PLACE</td><td>± ---</td><td>± ---</td></tr> </tbody> </table> | | mm | INCH | 4 PLACES | ± --- | ± --- | 3 PLACES | ± --- | ± --- | 2 PLACES | ± 0.15 | ± --- | 1 PLACE | ± --- | ± --- | DRAWN BY AGARWAL | DATE 1997/08/05 | TITLE MGRID 2MM DUAL ROW IDT RECEPTACLE | | |
| | | | | mm | INCH | | | | | | | | | | | | | | | | | | | |
| | | | 4 PLACES | ± --- | ± --- | | | | | | | | | | | | | | | | | | | |
| 3 PLACES | ± --- | ± --- | | | | | | | | | | | | | | | | | | | | | | |
| 2 PLACES | ± 0.15 | ± --- | | | | | | | | | | | | | | | | | | | | | | |
| 1 PLACE | ± --- | ± --- | | | | | | | | | | | | | | | | | | | | | | |
| | DRAFT WHERE APPLICABLE MUST REMAIN WITHIN DIMENSIONS | APPROVED BY JAMES | DATE 1997/09/03 | MATERIAL NO. | DOCUMENT NO. SD-87568-003 | SHEET NO. 2 OF 3 | | | | | | | | | | | | | | | | | | |
| | | | | SIZE A3 | THIS DRAWING CONTAINS INFORMATION THAT IS PROPRIETARY TO MOLEX INCORPORATED AND SHOULD NOT BE USED WITHOUT WRITTEN PERMISSION | | | | | | | | | | | | | | | | | | | |

9 8 7 6 5 4 3 2 1

10 9 8 7 6 5 4 3 2 1

F

E

D

C

B

A

F

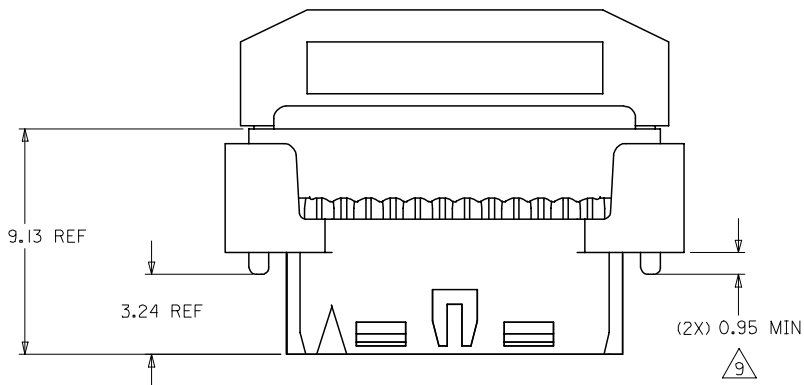
E

D

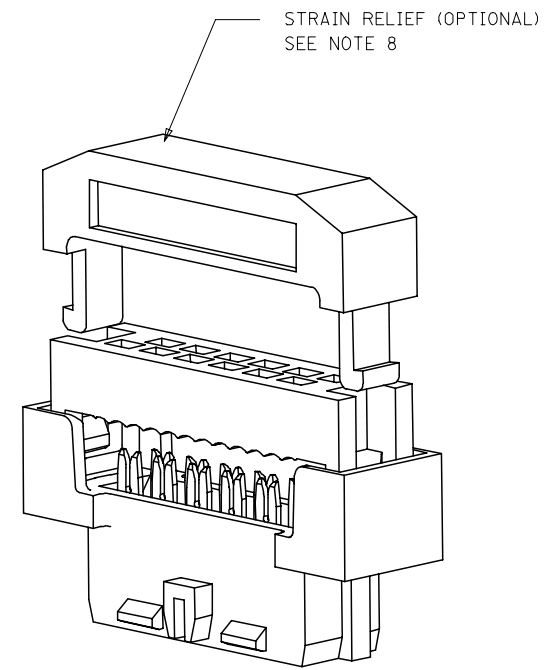
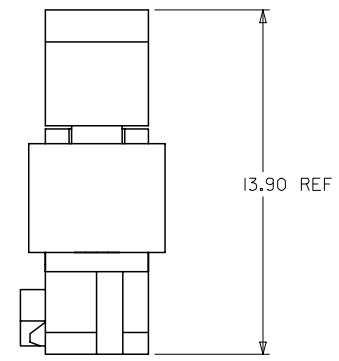
C

B

A



CABLE LOADED ASSEMBLY WITH STRAIN RELIEF



3D VIEW
(12 CKT SHOWN FOR ILLUSTRATION ONLY)

NOTES

9 THIS DIMENSION IS TO ENSURE GOOD CABLE TERMINATION.

| | | | | | | | | | | | |
|---|--------------------|-----------------------------|--|---------------------------|----------------------------|--------------------|--------------|------------------------|---|------------------------------|---------------------|
| OBS TIN/LEAD P/N EC NO: S2006-0732 DRWN:MLONG 2006/04/03 CHKD:NAGESHKN 2006/04/04 APPR:PTLIM 2006/04/06 | DESCRIPTION REV | QUALITY SYMBOLS | GENERAL TOLERANCES (UNLESS SPECIFIED) | | DIMENSION STYLE MM ONLY | | SCALE NTS | DESIGN UNITS METRIC | THIRD ANGLE PROJECTION | | |
| | | $\nabla=0$ $\triangle=0$ | 4 PLACES ± --- ± --- 3 PLACES ± --- ± --- 2 PLACES ± 0.15 ± --- 1 PLACE ± --- ± --- | mm INCH | DRAWN BY AGARWAL | DATE 1997/08/05 | TITLE | | MGRID 2MM DUAL ROW IDT RECEPTACLE MOLEX INCORPORATED | DOCUMENT NO. SD-87568-003 | SHEET NO. 3 OF 3 |
| | | | ANGULAR ± 3 ° | APPROVED BY SQUEK | DATE 1997/09/03 | | | | | | |
| | | | DRAFT WHERE APPLICABLE MUST REMAIN WITHIN DIMENSIONS | MATERIAL NO. SEE TABLE | | | | | | | |
| | | SIZE A3 | THIS DRAWING CONTAINS INFORMATION THAT IS PROPRIETARY TO MOLEX INCORPORATED AND SHOULD NOT BE USED WITHOUT WRITTEN PERMISSION | | | | | | | | |

9 8 7 6 5 4 3 2 1