

# Ledex® Box Frame Size B16 — DC Operation

Part Number: B16 - **XXX** - B- 1

All catalog products manufactured after April 1, 2006 are RoHS Compliant

Select from performance chart below

## Specifications

Operation	Pull
Dielectric Strength	500 VRMS for one second
Continuous Duty Cycle	100% at 20°C ambient temperature
Intermittent Duty Cycle	See below
Holding Force	14.37 oz. (3.99 N) at 20°C
Coil Insulation	Class "B": 130°C max.
Coil Termination	10" PVC lead wires
Plunger Weight	0.09 oz. (2.6 g)
Total Weight	0.44 oz. (12.5 g)
Dimensions	See page H37

● Well-suited for battery operation.



See the "Battery Operated Solenoids" section for complete information.

## Performance

Maximum Duty Cycle	100%	50%	25%	10%
Maximum ON Time (sec) when pulsed continuously	∞	40	15	5
Maximum ON Time (sec) for single pulse	∞	253	78	19
Watts (@ 20°C)	1.43	2.86	5.72	14.3
Ampere Turns (@ 20°C)	270	383	575	855

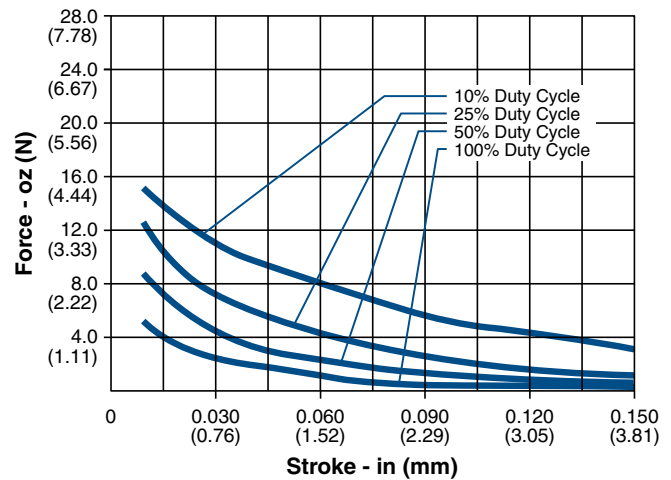
### Coil Data

Part Number	Resistance (@20°C)	Ref # Turns	VDC (Nom)	VDC (Nom)	VDC (Nom)	VDC (Nom)
B16-258-B-1	6.35	618	3	4.3	6	9.5
B16-255-B-1	22.3	1100	6	8.5	12	19
B16-256-B-1	54.2	1644	9	12.5	17.6	27.8
B16-254-B-1	98.8	2034	12	17	24	38
B16-253-B-1	386.9	3944	24	34	48	76
B16-252-B-1	1630	9827	48	68	96	153

### NOTES:

1. All data is typical.
2. Force testing is done with the solenoid in the horizontal position.
3. All data reflects operation with no heatsink.
4. Pull versions standard; push versions available.

## Typical Force @ 20°C



## How to Order

Select the part number from the table provided. (For example, to order a 25% duty cycle unit rated at 48 VDC, specify B16-253-B-1.

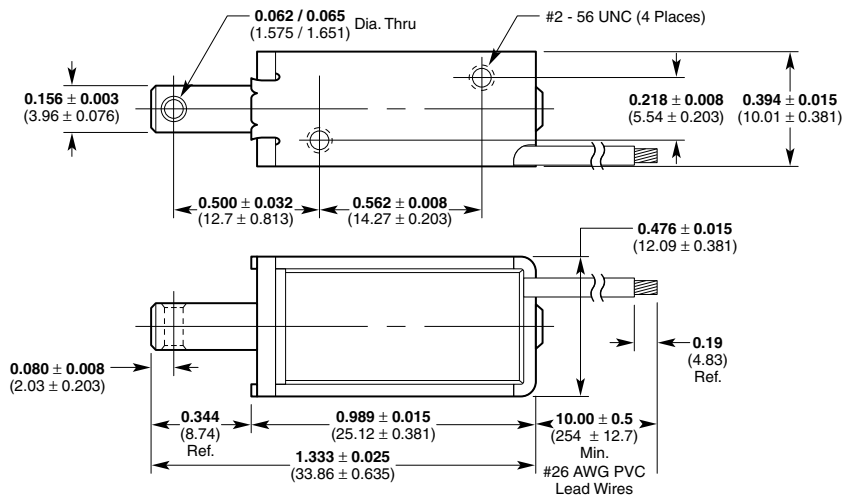
Please see [www.ledex.com](http://www.ledex.com) (click on Stock Products tab) for our list of stock products available through our North American distributors.

# Ledex® Box Frame Dimensions

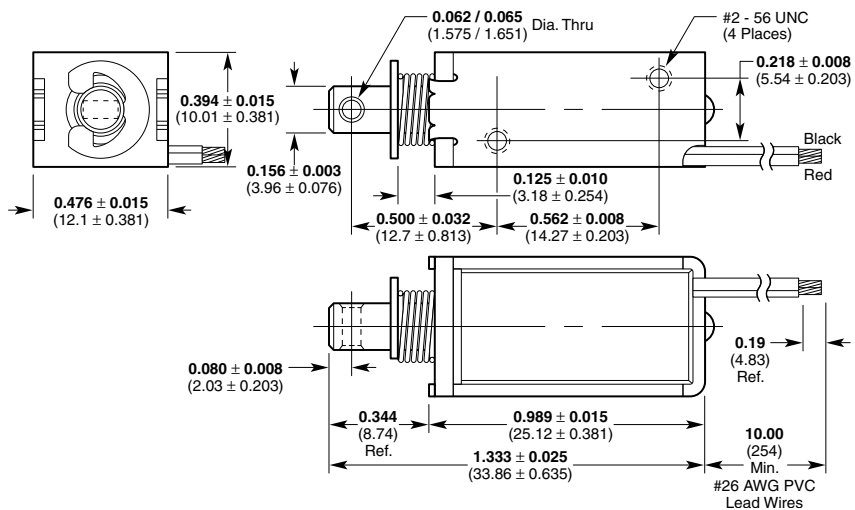
Inches (mm)

All solenoids are illustrated in energized state

## B16



## B16-L



LINEAR Open Frame

All specifications subject to change without notice.