

26

26 Snipe Nose Side Cutting Pliers, Stork Beak Pliers

DIN ISO 5745

- ▶ high loadable, elastic precision points
- ▶ half-round, long jaws
- ▶ serrated gripping surfaces
- ▶ with cutting edges for medium hard wire max. dia. 3.2 mm and hard wire max. dia. 2.2 mm
- ▶ cutting edges additionally induction hardened, cutting edge hardness approx. 61 HRC
- ▶ Vanadium steel, oil-hardened and tempered

26 12 200



Style 1: straight jaws



26 15 200



Style 1: straight jaws



26 22 200



Style 2: 40° bent jaws



26 26 200



Style 2: 40° bent jaws

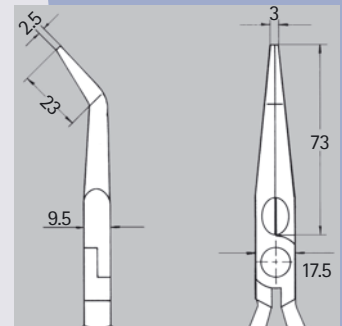


KNIPEX special

KNIPEX Snipe Nose Side Cutting Pliers (Stork Beak Pliers) are forged from Vanadium steel and carefully hardened. The slim precision tips withstand high demands, particularly bending loads.



High loadable elastic precision tips



Article-No.	EAN-Code	Style	Head	Handles	g
	Length mm				
	Code 4003773-				
26 11 200	013105	1	polished	plastic coated	170
26 12 200	023142		polished	with two-colour dual component handles	200
26 13 200	016038		chrome plated	plastic coated	170
26 15 200	035022		chrome plated	with two-colour dual component handles	200
26 16 200	022831		chrome plated	insulated with two-colour dual component handles	205
26 17 200	016069		chrome plated	plastic dipped insulated	225
				▲ 1000 V ▲ VDE-tested	
26 21 200	013112	2	polished	plastic coated	170
26 22 200	023135		polished	with two-colour dual component handles	200
26 23 200	016076		chrome plated	plastic coated	170
26 25 200	035039		chrome plated	with two-colour dual component handles	200
26 26 200	022855		chrome plated	insulated with two-colour dual componentsleeves	205
				▲ 1000 V ▲ VDE-tested	
26 27 200	016090	∠ 40°	chrome plated	plastic dipped insulated	225
				▲ 1000 V ▲ VDE-tested	