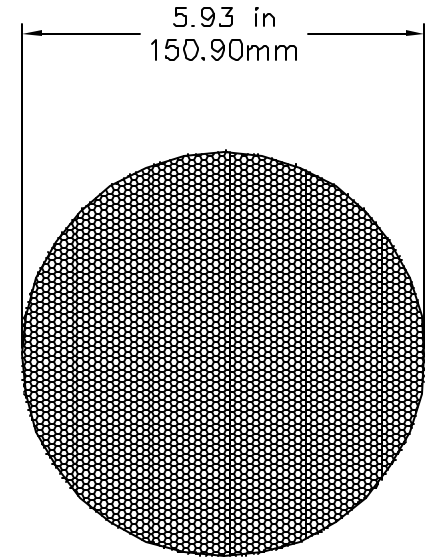
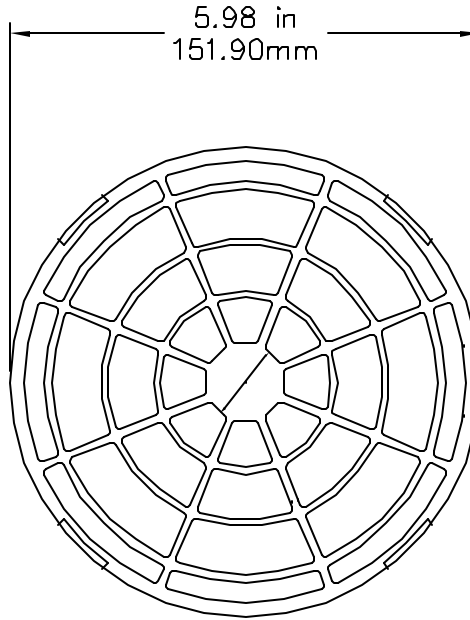
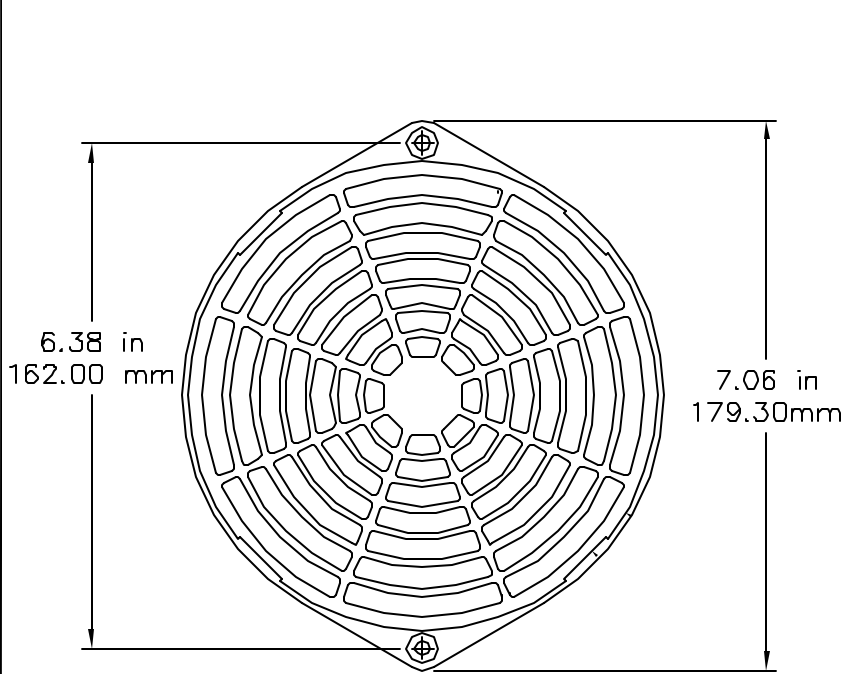


REVISIONS

DCP #	REV	DESCRIPTION	DRAWN	DATE	CHECKD	DATE	APPRVD	DATE
2033	A	RELEASED	JN	03/31/09	JWM	03/31/09	JWM	03/31/09



NOTES;

- Material: Plastic UL94V-O
- Media: Polyurethane Foam UL94HF-1

SPC Type No.	Pores Per Inch
MC32676	45
MC32677	60



DISCLAIMER:  
ALL STATEMENTS AND TECHNICAL INFORMATION CONTAINED HEREIN ARE BASED UPON INFORMATION AND/OR TESTS WE BELIEVE TO BE ACCURATE AND RELIABLE. SINCE CONDITIONS OF USE ARE BEYOND OUR CONTROL, THE USER SHALL DETERMINE THE SUITABILITY OF THE PRODUCT FOR THE INTENDED USE AND ASSUME ALL RISK AND LIABILITY WHATSOEVER IN CONNECTION THEREWITH.

TOLERANCES:  
UNLESS OTHERWISE SPECIFIED, DIMENSIONS ARE FOR REFERENCE PURPOSES ONLY.

DRAWN BY:	DATE:
Jason Nash	03/31/09
CHECKED BY:	DATE:
Jeff McVicker	03/31/09
APPROVED BY:	DATE:
Jeff McVicker	03/31/09

DRAWING TITLE: <b>Plastic Fan Filter Assembly</b>			
SIZE <b>A</b>	DWG. NO. <b>TA-1089</b>	ELECTRONIC FILE <b>TA-1089.dwg</b>	REV <b>A</b>
SCALE: NTS	U.O.M.: Millimeters	SHEET: 1 OF 1	