

San Ace 40 GA type

Low power consumption fan

Features

Energy-saving

Power consumption is reduced by approx. 30 % compared with our conventional fan*.

Low noise

Sound pressure level is reduced by 6dB(A) compared with our conventional fan*.



Low power consumption fan 40mm

* Our conventional product is the DC cooling fan :
40 x 40 x 28 mm fan "San Ace 40" (9GV0412P3K03)

40×40×28mm

Specifications

Model No.	Rated Voltage [V]	Operating Voltage Range [V]	PWM duty cycle*[%]	Rated Current [A]	Rated Input [W]	Rated Speed [min ⁻¹]	Air Flow [m ³ /min] [CFM]		Static Pressure [Pa] [inchH ₂ O]		SPL [dB(A)]	Operating Temperature [°C]	Life Expectancy [h]
9GA0412P3J01	12	10.8 to 13.2	100	0.49	5.88	18,000	0.67	23.7	535	2.15	54	-10 to +70	40,000
			0	0.05	0.6	4,500	0.16	5.7	33	0.13	22		
9GA0412P3G01			100	0.39	4.68	16,500	0.61	21.5	450	1.81	53		
			0	0.05	0.6	4,500	0.16	5.7	33	0.13	22		
9GA0412P3H01			100	0.28	3.36	14,500	0.54	19.1	347	1.39	50		
			0	0.04	0.48	3,500	0.13	4.6	20	0.08	17		
9GA0412P3M01			100	0.21	2.52	12,500	0.46	16.2	258	1.04	47		
			0	0.04	0.48	3,500	0.13	4.6	20	0.08	17		

※PWM Frequency:25kHz

Common Specifications

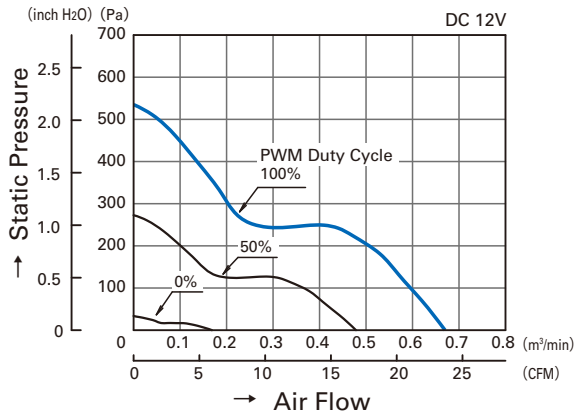
- Material Frame, Impeller: Plastics (Flammability: UL94V-0)
- Life Expectancy Varies for each model
(L10: Survival rate: 90% at 60°C, rated voltage, and continuously run in a free air state)
- Motor Protection System Current blocking function and Reverse polarity protection
- Dielectric Strength 50/60 Hz, 500VAC, 1 minute (between lead conductor and frame)
- Sound Pressure Level (SPL) Expressed as the value at 1m from air inlet side
- Operating Temperature Varies for each model (Non-condensing)
- Storage Temperature -30°C to +70°C (Non-Condensing)
- Lead Wire ⊕red ⊖black Sensor: yellow Control: brown
- Mass Approx. 53 g

40mm

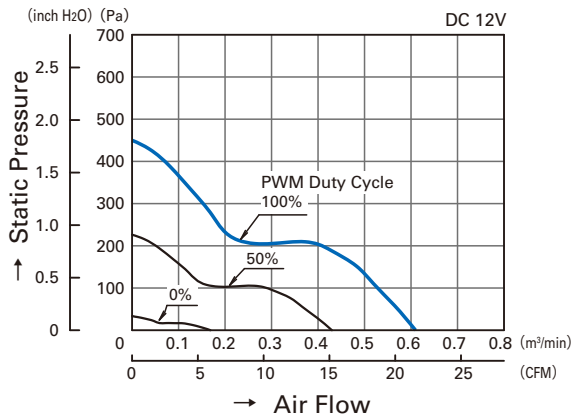
San Ace 40 GA type

Air Flow and Static Pressure Characteristics

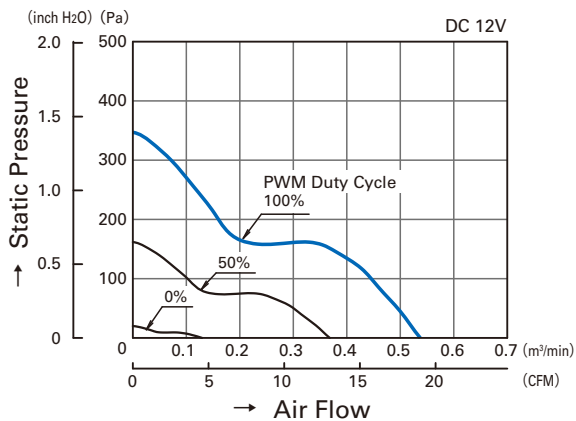
PWM Duty Cycle



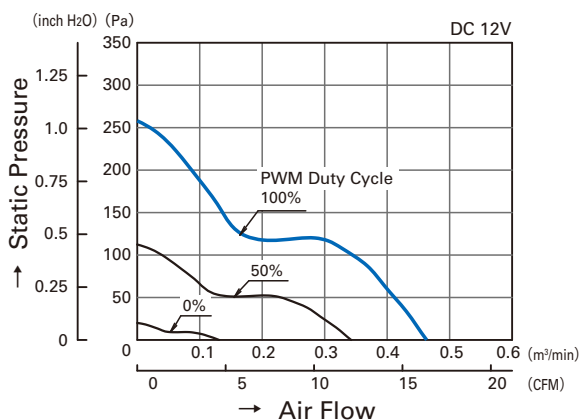
9GA0412P3J01



9GA0412P3G01

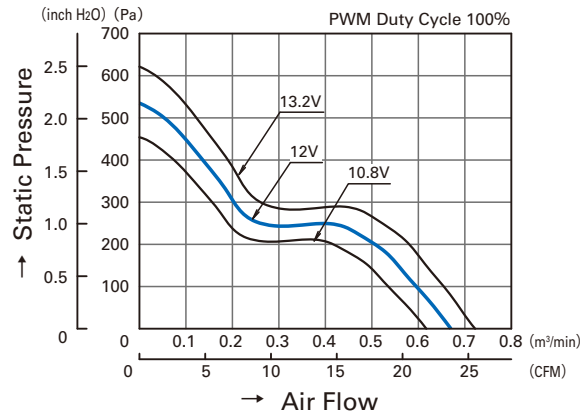


9GA0412P3H01

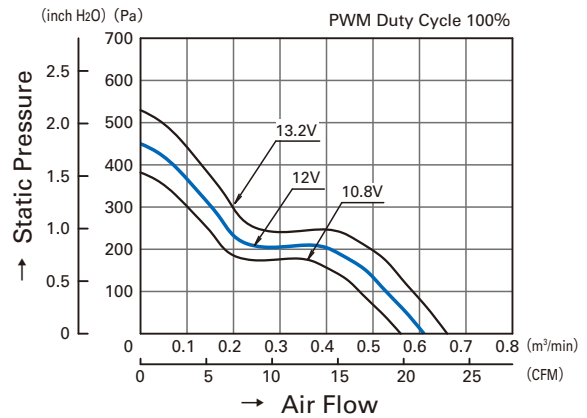


9GA0412P3M01

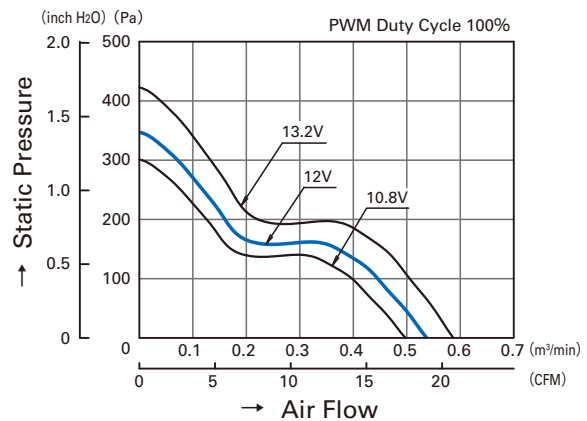
Operating Voltage Range



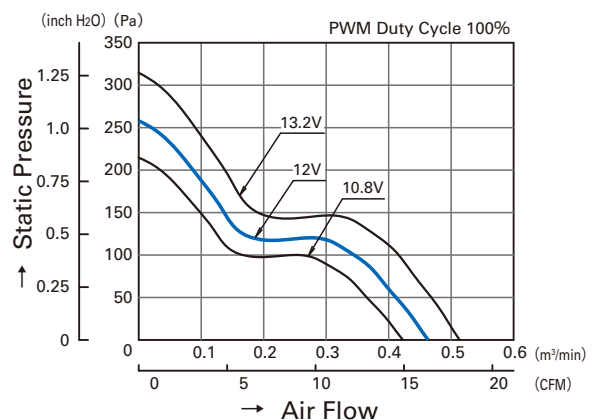
9GA0412P3J01



9GA0412P3G01

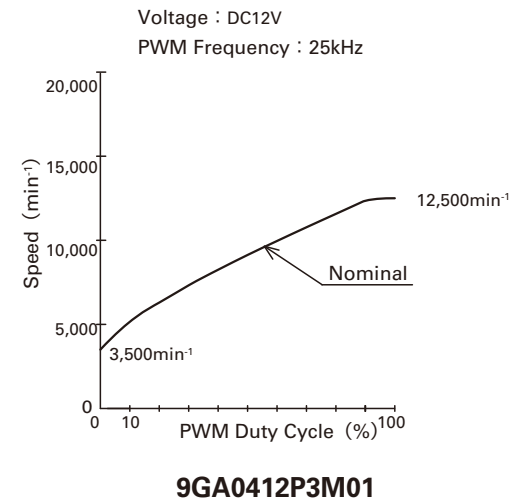
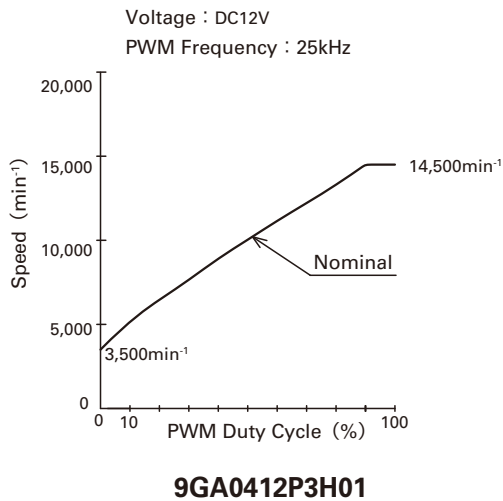
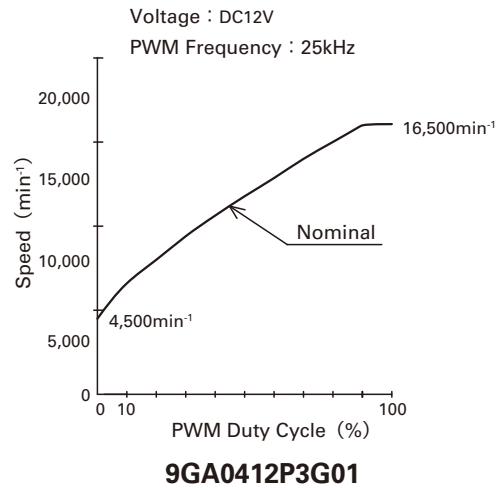
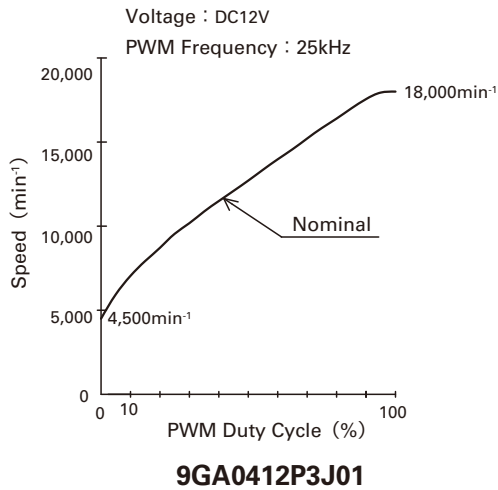


9GA0412P3H01

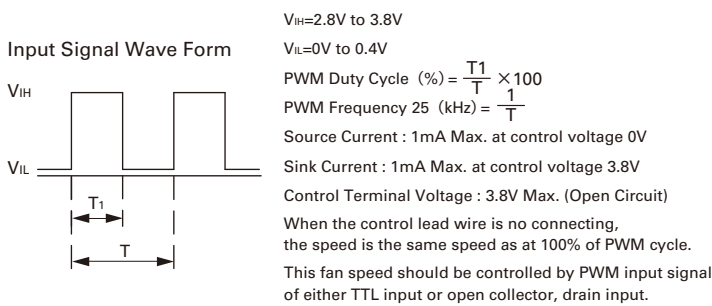


9GA0412P3M01

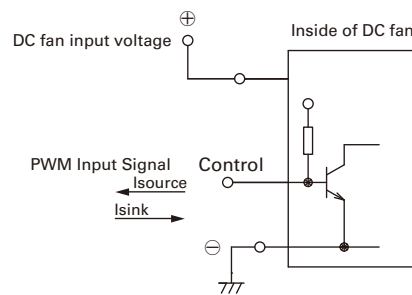
PWM Duty - Speed Characteristics Example



PWM Input Signal Example

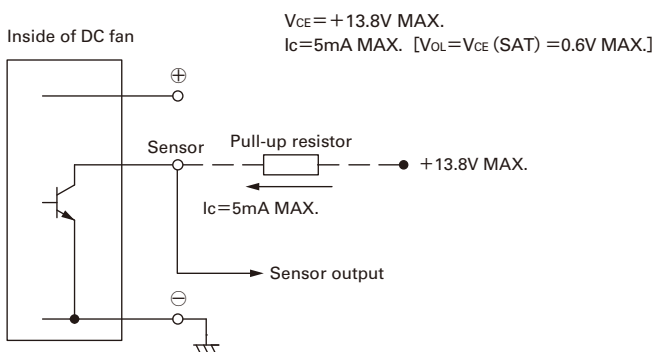


Connection Schematic

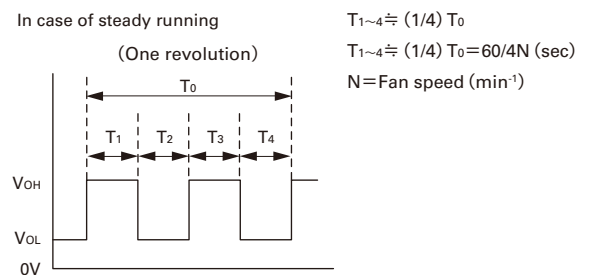


Specifications for Pulse Sensors

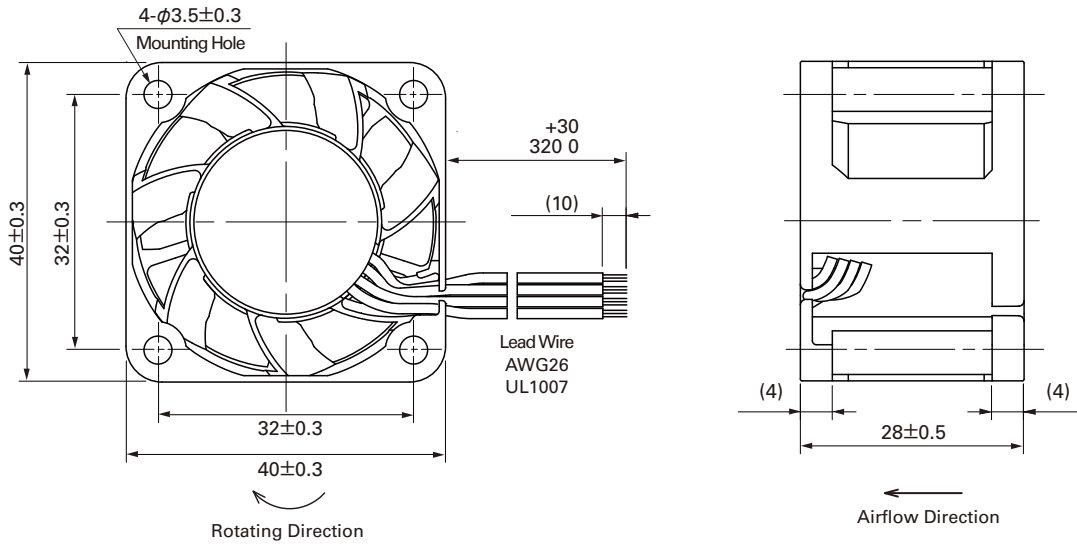
Output circuit : Open collector



Output waveform (Need pull-up resistor)

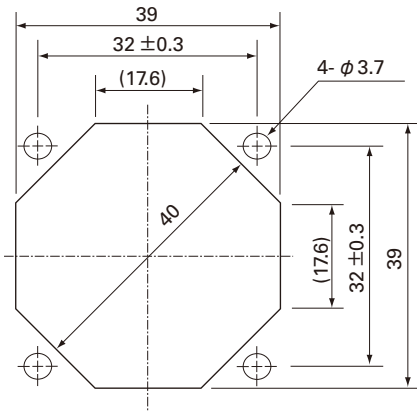


■ Dimensions (unit : mm)



■ Reference dimension of mounting holes and vent opening (unit : mm)

Inlet Side, Outlet Side



Notice

- The products shown in the catalog are subject to Japanese Export Control Law. Diversion contrary to the law of exporting country is prohibited.
- To protect against electrolytic corrosion that may occur in locations with strong electromagnetic noise, we provide fans that are unaffected by electrolytic corrosion.