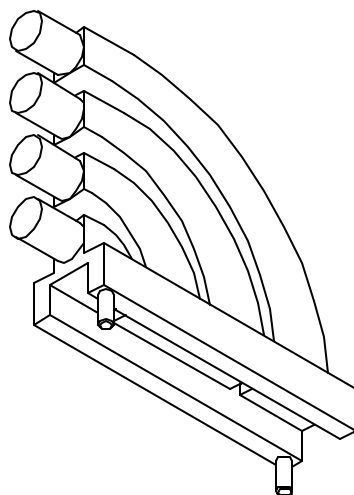
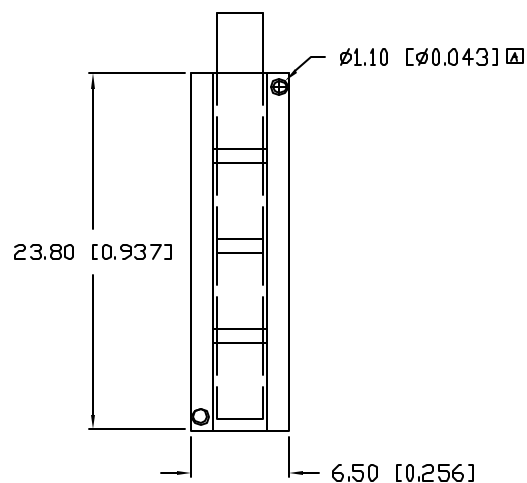
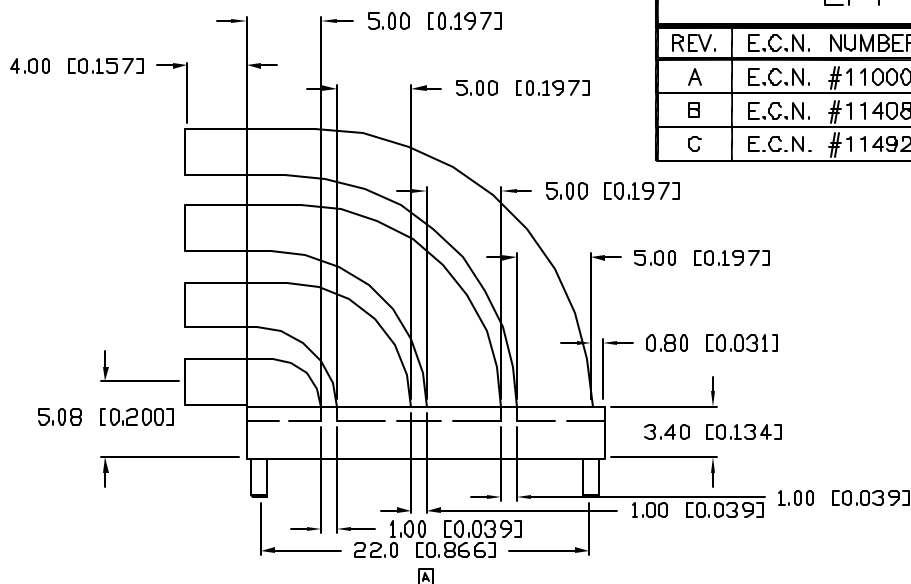
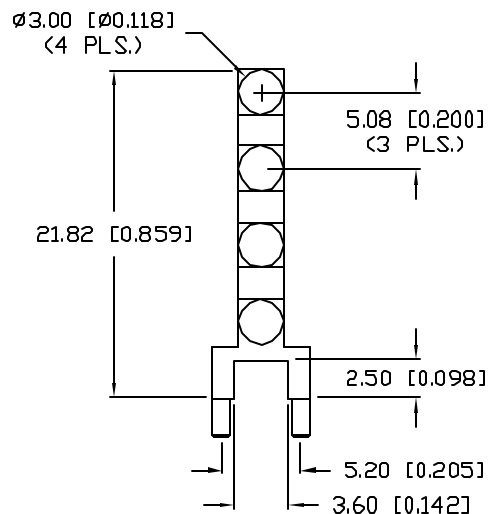


UNCONTROLLED DOCUMENT

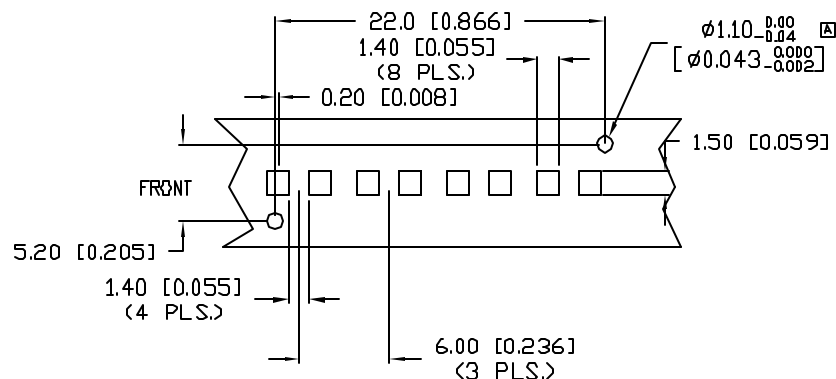
PART NUMBER  
LPF-C014301S

REV.  
C

REV.	E.C.N. NUMBER AND REVISION COMMENTS	DATE
A	E.C.N. #11000.	6.10.03
B	E.C.N. #11408.	4.19.07
C	E.C.N. #11492.	4.04.08




PCB LAYOUT



Pb

UNCONTROLLED DOCUMENT

\*UNLESS OTHERWISE SPECIFIED TOLERANCES PER DECIMAL PRECISION ARE: X=±1 (±0.039), X.X=±0.5 (±0.020), X.XX=±0.25 (±0.010), X.XXX=±0.127 (±0.005). LEAD SIZE=±0.05 (±0.002), LEAD LENGTH=±0.75 (±0.030), MIN.=<sup>+DECIMAL PRECISION</sup>-0.00 <sup>MAX.=</sup>-DECIMAL PRECISION

REV. C	PART NUMBER LPF-C014301S	<p>CONFIDENTIAL INFORMATION</p> <p>THE INFORMATION CONTAINED IN THIS DOCUMENT IS THE PROPERTY OF LUMEX INC. EXCEPT AS SPECIFICALLY AUTHORIZED IN WRITING BY LUMEX INC, THE HOLDER OF THIS DOCUMENT SHALL KEEP ALL INFORMATION CONTAINED HEREIN CONFIDENTIAL AND SHALL PROTECT SAME IN WHOLE OR IN PART FROM DISCLOSURE AND DISSEMINATION TO ALL THIRD PARTIES.</p> <p>RELIABILITY NOTE</p> <p>OUR MANY YEARS OF EXPERIENCE DATA ACCUMULATION INDICATE THAT SOLDER HEAT IS A MAJOR CAUSE OF EARLY AND FUTURE FAILURE. PLEASE PAY ATTENTION TO YOUR SOLDERING PROCESS.</p>	 <p>290 E. HELEN ROAD                  PALATINE, IL 60067-6976                  PHONE: +1.847.359.2790                  US WEB: www.lumex.com                  TW WEB: www.lumex.com.tw</p>
4 HIGH, RIGHT ANGLE LIGHT PIPE, 3mm ROUND LENS.		DRAWN BY: JC CHECKED BY: APPROVED BY:	DATE: 8.13.02 PAGE: 1 OF 1 SCALE: N/A