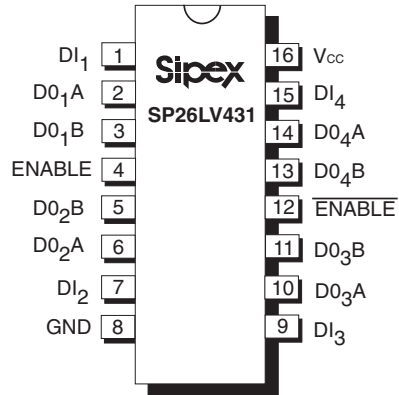


High Speed, +3.3V Quad RS-422 Differential Line Driver

FEATURES

- Quad Differential Line Drivers
- Compatible with the EIA standard for RS-422 serial protocol
- High-Z Output Control
- At Least 60Mbps Transmission Rates
- 11ns Typical Driver Propagation Delays
- Less than 1ns Typical Output Skew
- Single +3.3V Supply Operation
- Common Driver Enable Control
- Compatibility with the industry standard 26LV31
- Ideal For Use with SP26LV431, Quad Receivers

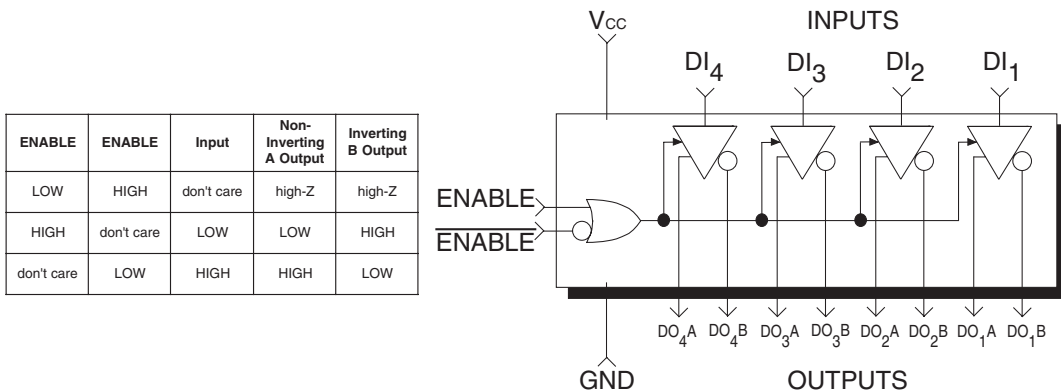


Now Available in Lead Free Packaging

DESCRIPTION

The **SP26LV431** is a quad differential line driver that meets the specifications of the EIA standard RS-422 serial protocol. The **SP26LV431** features Sipex's BiCMOS process allowing low power operational characteristics of CMOS technology while meeting all of the demands of the RS-422 serial protocol over 60Mbps under load. The RS-422 protocol allows up to 10 receivers to be connected to a multipoint bus transmission line. The **SP26LV431** features a driver enable control common to all four drivers that places the output pins in a high impedance state. Since the cabling can be as long as 4,000 feet, the RS-422 drivers of the **SP26LV431** are equipped with a wide common-mode output voltage range to accommodate ground potential differences.

TYPICAL APPLICATION CIRCUIT



ABSOLUTE MAXIMUM RATINGS

These are stress ratings only and functional operation of the device at these ratings or any other above those indicated in the operation sections of the specifications below is not implied. Exposure to absolute maximum rating conditions for extended periods of time may affect reliability and cause permanent damage to the device.

V_{CC}	0.5V to 7.0V
V_{IN} (DC Input Voltage).....	-1.5V to ($V_{CC} + 1.5V$)
V_{OUT} (DC Output Voltage).....	-0.5V to 7V
I_{IK}, I_{OK} (Clamp Diode Current).....	$\pm 20mA$
I_{OUT} (DC Output Current, per pin).....	$\pm 150mA$
I_{CC} (DC V_{CC} or GND Current, per pin).....	$\pm 150mA$
T_{STG} (Storage Temperature Range).....	-65°C to +150°C
Storage Temperature.....	-65°C to +150°C

Power Dissipation Per Package

16-pin PDIP (derate 14.3mW/°C above +70°C).....	1150mW
16-pin NSOIC (derate 13.6mW/°C above +70°C).....	1100mW



CAUTION:

ESD (ElectroStatic Discharge) sensitive device. Permanent damage may occur on unconnected devices subject to high energy electrostatic fields. Unused devices must be stored in conductive foam or shunts. Personnel should be properly grounded prior to handling this device. The protective foam should be discharged to the destination socket before devices are removed.

ELECTRICAL CHARACTERISTICS

Unless otherwise noted, the following specifications apply for $V_{CC} = +3.0V$ to $+3.6V$ with $T_{amb} = 25^\circ C$ and all MIN and MAX limits apply across the recommended operating temperature range.

DC PARAMETERS	MIN.	TYP.	MAX.	UNITS	CONDITIONS
Supply Voltage, V_{CC}	3.0		3.6	V	
DC Input or Output Voltage, V_{IN} or V_{OUT}			V_{CC}	V	
Input Electrical Characteristics					
Input Rise or Fall Times, t_r or t_f		3		ns	
HIGH Level Input Voltage, V_{IH}	2.0			V	
LOW Level Input Voltage, V_{IL}			0.8	V	
Output Electrical Characteristics					
HIGH Level Output Voltage, V_{OH}	2.5	2.9		V	$V_{IN} = V_{IH}$ or V_{IL} , $I_{OUT} = -20mA$
LOW Level Output Voltage, V_{OL}		0.2	0.5	V	$V_{IN} = V_{IH}$ or V_{IL} , $I_{OUT} = 20mA$
Differential Output Voltage, V_T	2.0	2.7		V	$R_L = 100\Omega$, Note 1
Difference in Differential Output, $ V_{T1} - \overline{V_{T1}} $			0.4	V	$R_L = 100\Omega$, Note 1
Common Mode Output Voltage, V_{OS}			3.0	V	$R_L = 100\Omega$, Note 1
Difference in Common Mode Output, $ V_{OS} - \overline{V_{OS}} $			0.4	V	$R_L = 100\Omega$, Note 1
Quiescent Supply Current					
I_{CC}			100	μA	$V_{IN} = V_{CC}$ or GND, Note 2
Tri-state Output Leakage Current, I_{OZ}		± 2.0		μA	$V_{OUT} = V_{CC}$ or GND, $ENABLE = V_{IL}$, $ENABLE = V_{IH}$
Output Short Circuit Current, I_{SC}	-30		-150	mA	$V_{IN} = V_{CC}$ or GND, Notes 1 and 3
Output Leakage Current Power Off					
I_{OFF}			100	μA	$V_{CC} = 0V$, $V_{OUT} = 6V$, Note 1
I_{OFF}			-100	μA	$V_{CC} = 0V$, $V_{OUT} = -0.25V$, Note 1

ELECTRICAL CHARACTERISTICS

Unless otherwise noted, the following specifications apply for $V_{CC} = +3.0V$ to $+3.6V$, $T_{amb} = 25^{\circ}C$, $t_r \leq 6ns$, $t_f \leq 6ns$, and all MIN and MAX limits apply across the recommended operating temperature range.

PARAMETERS	MIN.	TYP.	MAX.	UNITS	CONDITIONS
SWITCHING CHARACTERISTICS					
Propagation Delays, t_{PLHD} , t_{PHLD}		11	18	ns	Figure 3
Skew		0.8	2	ns	Figure 3, Note 4
Differential Output Rise and Fall Times, t_{TLH} , t_{PHL}		4	10	ns	Figure 3
Output Enable Time, t_{PZH}			40	ns	Figure 5
Output Enable Time, t_{PZL}			40	ns	Figure 5
Output Disable Time, t_{PHZ}			35	ns	Figure 5, Note 5
Output Disable Time, t_{PLZ}			35	ns	Figure 5, Note 5
Power dissipation Capacitance, C_{PD}		50		pF	Note 6
Input Capacitance, C_{IN}		6		pF	

NOTE 1: Refer to EIA specifications for RS-422 serial protocol for exact test conditions.

NOTE 2: Measured per input. All other inputs at V_{CC} or GND.

NOTE 3: This is the current sourced when a high output is shorted to GND. Only one output at a time should be shorted.

NOTE 4: Skew is defined as the difference in propagation delays between complementary outputs at the 50% input.

NOTE 5: Output disable time is the delay from ENABLE or \overline{ENABLE} being switched to the output transistors turning off.

The actual disable times are less than indicated due to the delay added by the RC time constant of the load.

NOTE 6: C_{PD} determines the no load dynamic power consumption, $P_D = (C_{PD} V_{CC}^2 f) + (I_{CC} V_{CC})$, and the no load dynamic current consumption, $I_S = (C_{PD} V_{CC} f) + I_{CC}$.

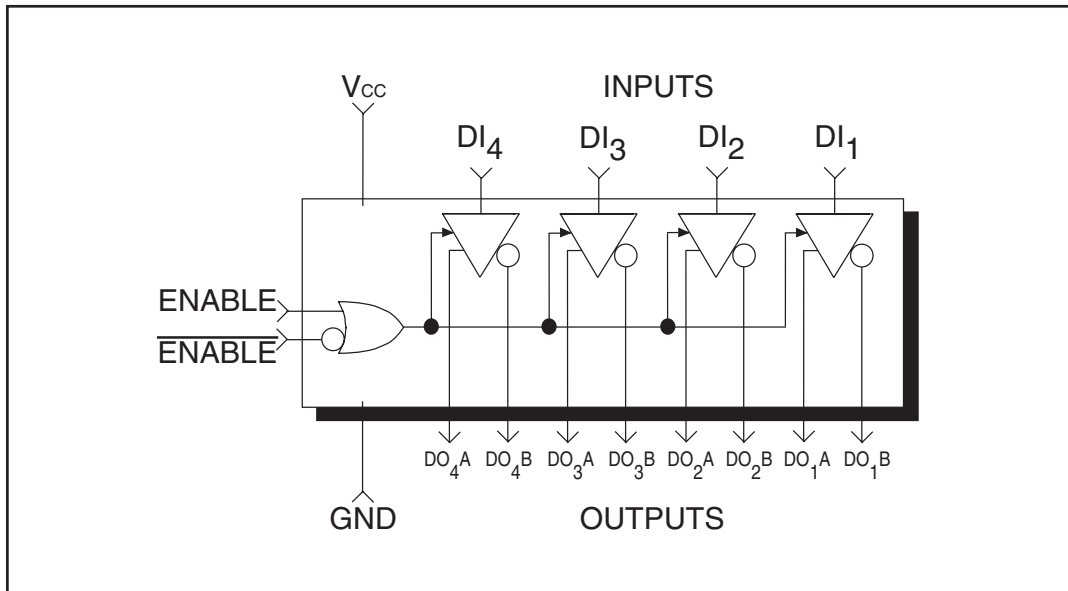


Figure 1. SP431 Block Diagram

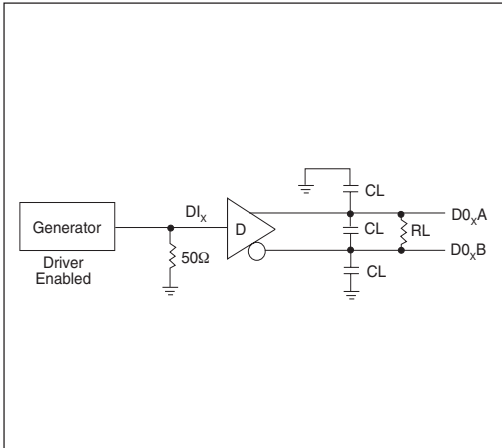


Figure 2. AC Test Circuit

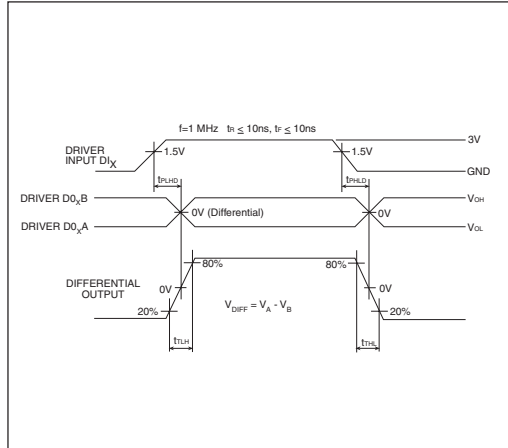


Figure 3. Propagation Delays

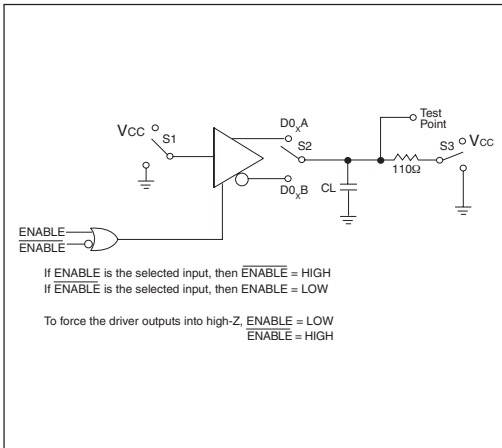


Figure 4. Driver Single-Ended TRI-STATE Test Circuit

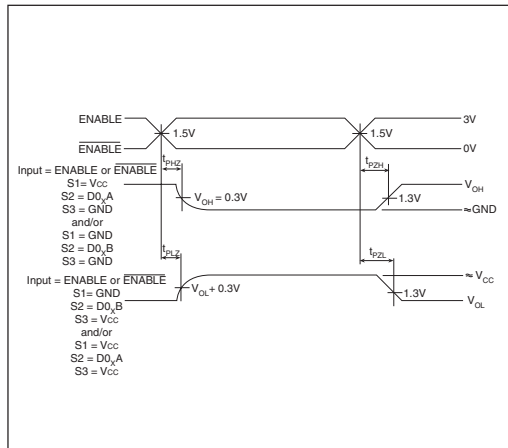


Figure 5. Driver Single-Ended TRI-STATE Waveforms

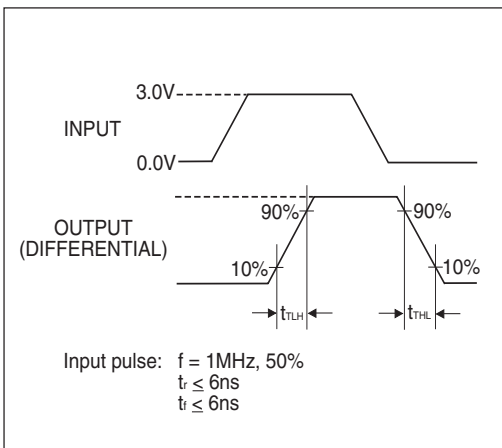


Figure 6. Differential Rise and Fall Times

The **SP26LV431** is a low-power quad differential line driver designed for digital data transmission meeting the specifications of the EIA standard RS-422 serial protocol. The **SP26LV431** features Sipex's BiCMOS process allowing low power operational characteristics of CMOS technology while meeting all of the demands of the RS-422 serial protocol up to 60Mbps under load in harsh environments.

The RS-422 standard is ideal for multi-drop applications and for long-distance communication. The RS-422 protocol allows up to 10 receivers to be connected to a data bus, making it an ideal choice for multi-drop applications. Since the cabling can be as long as 4,000 feet, RS-422 drivers are equipped with a wide common mode output range to accommodate ground potential differences. Because the RS-422 is a differential interface, data is virtually immune to noise in the transmission line.

The **SP26LV431** accepts TTL or CMOS input levels and translates these to RS-422 output levels. The **SP26LV431** features active HIGH and active LOW driver enable controls common to all four driver channels see *Figure 8*. A logic HIGH on the **ENABLE** pin (pin 4) or a logic LOW on the $\overline{\text{ENABLE}}$ pin (pin 12) will enable the differential driver outputs. A logic LOW on the $\overline{\text{ENABLE}}$ pin (pin 4) and a logic HIGH on the **ENABLE** pin (pin 12) will force the driver outputs into high impedance (high-Z). Refer to the truth table in *Figure 8*.

source and sink current capability. All drivers are internally protected against short circuits on their outputs. The driver outputs are short-circuit limited to 150mA. The driver output skew times are typically 0.8ns.

To minimize reflections, the multipoint bus transmission line should be terminated at both ends in its characteristic impedance, and stub lengths off the main line should be kept as short as possible.

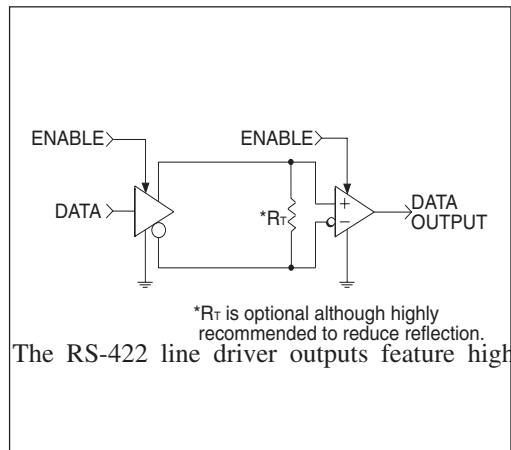


Figure 7. Two-Wire Balanced System, RS-422

ENABLE	$\overline{\text{ENABLE}}$	Input	Non-Inverting A Output	Inverting B Output
LOW	HIGH	don't care	high-Z	high-Z
HIGH	don't care	LOW	LOW	HIGH
don't care	LOW	HIGH	HIGH	LOW

Figure 8. Truth Table, Enable / Disable Function Common to All Four RS-422 Drivers

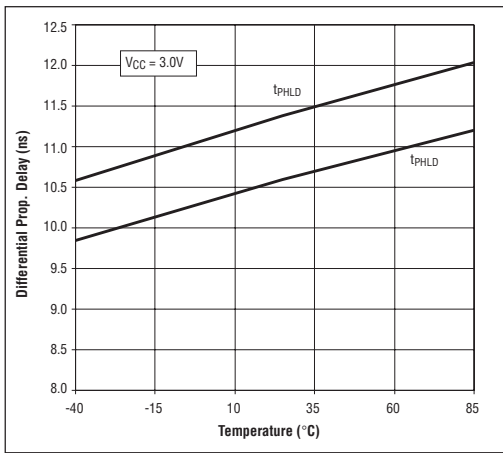


Figure 9. Differential Propagation Delay vs Temperature

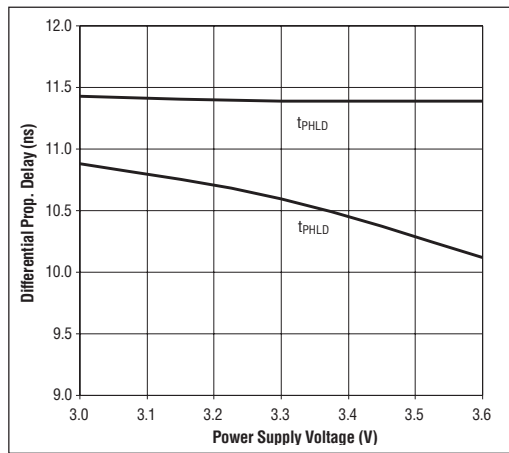


Figure 10. Differential Propagation Delay vs Voltage

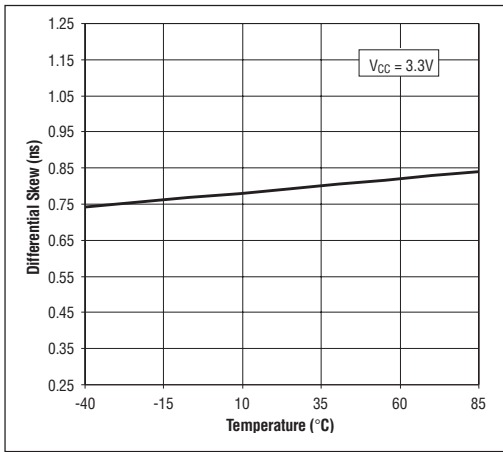


Figure 11. Differential Skew vs Temperature

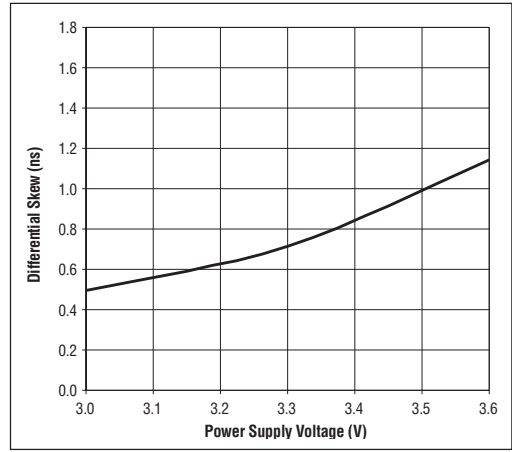


Figure 12. Differential Skew vs Voltage

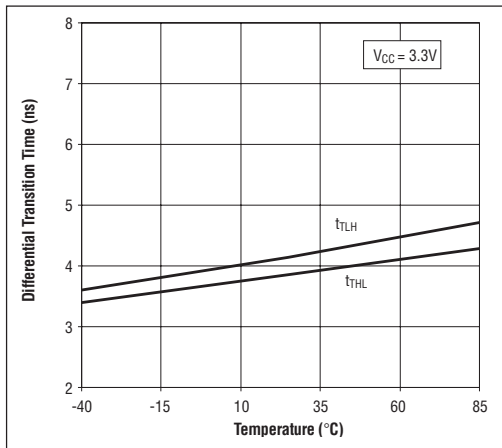


Figure 13. Differential Transition Time vs Temperature

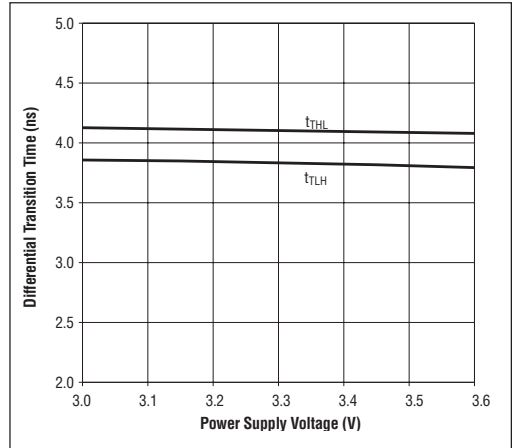


Figure 14. Differential Transition Time vs Voltage

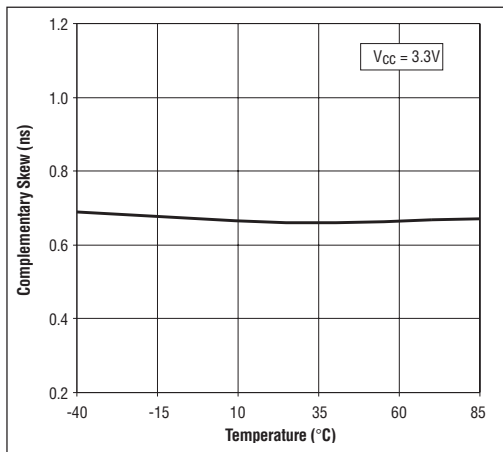


Figure 15. Complementary Skew vs Temperature

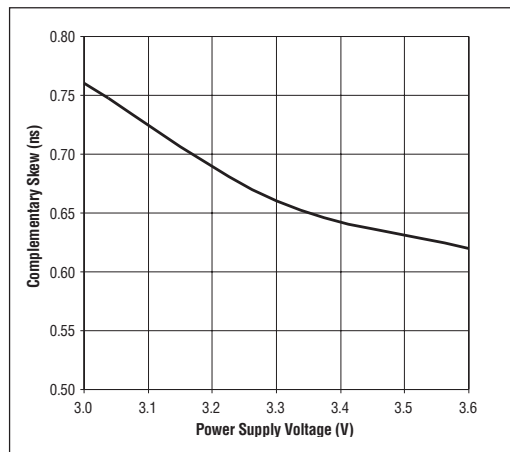


Figure 16. Complementary Skew vs Voltage

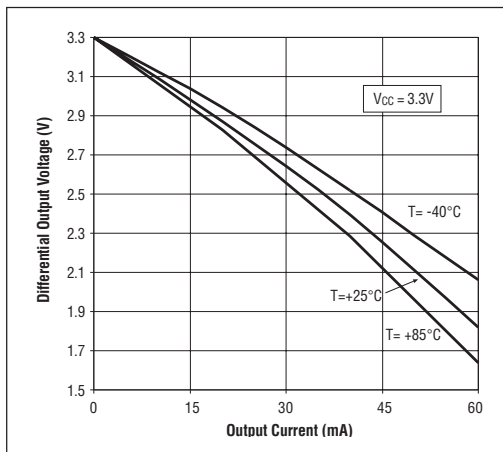


Figure 17. Differential V_{OUT} vs I_{OUT} (Temperature)

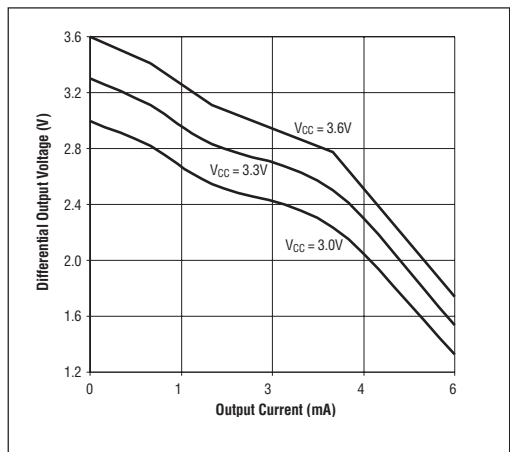


Figure 18. Differential V_{OUT} vs I_{OUT} (V_{CC})

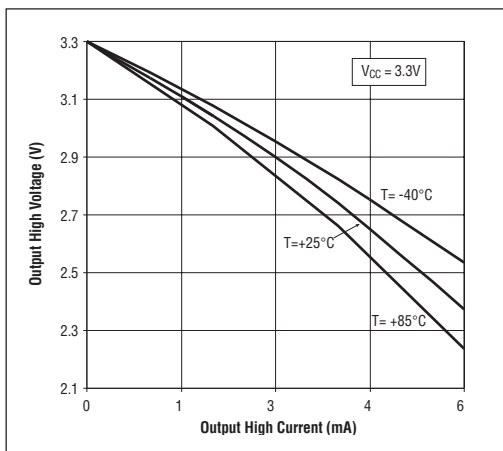


Figure 19. V_{OUT} high vs I_{OUT} (Temperature)

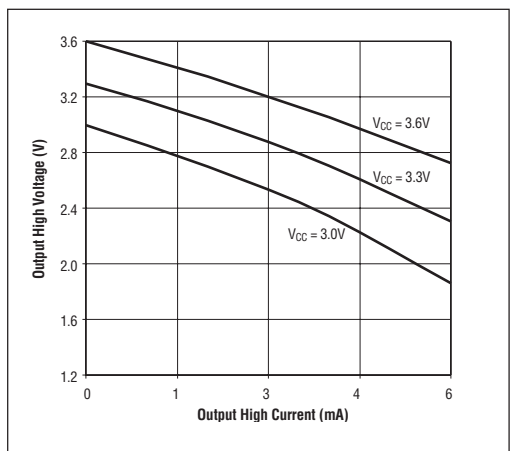


Figure 20. V_{OUT} high vs I_{OUT} (V_{CC})

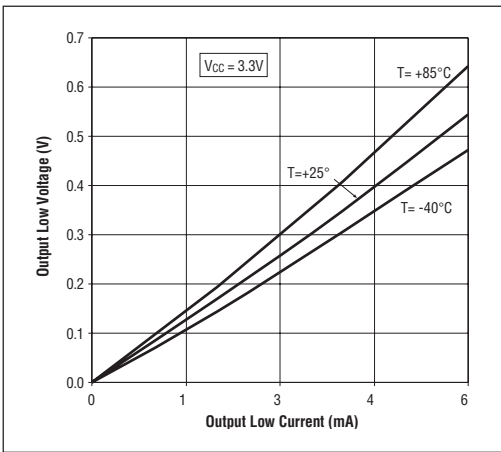


Figure 21. V_{OUT} low vs Current (Temperature)

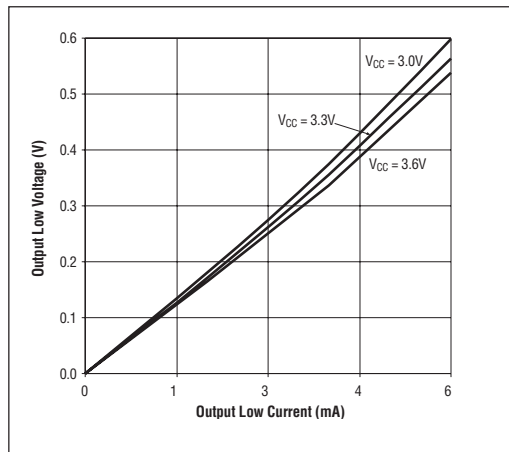


Figure 22. V_{OUT} low vs Current (V_{CC})

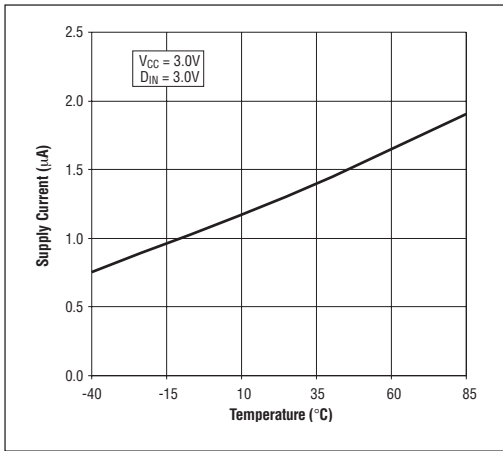


Figure 23. Supply Current vs Temperature

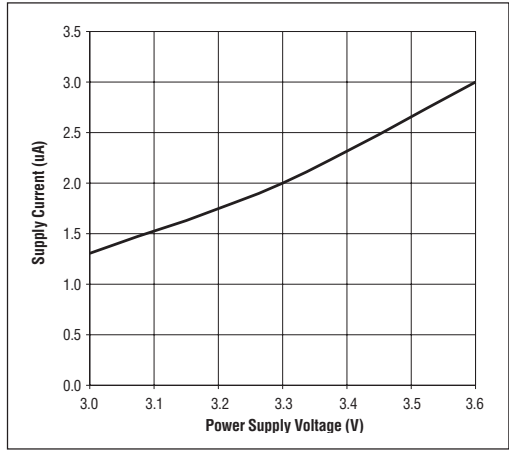


Figure 24. Supply Current vs Voltage

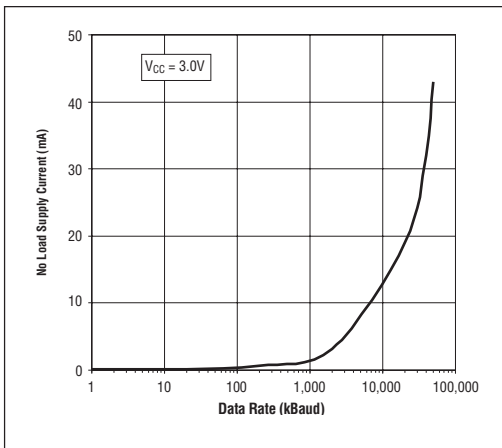


Figure 25. Supply Current vs Data Rate

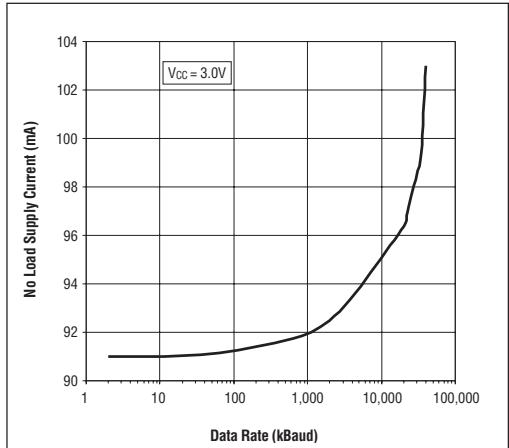


Figure 26. I_{CC} (loaded) vs Data Rate

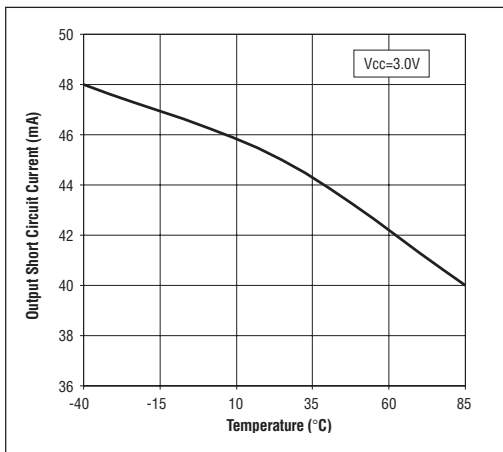


Figure 27. Short Circuit Current vs Temperature

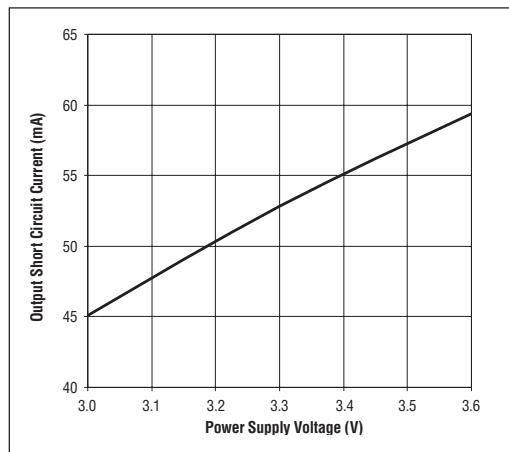
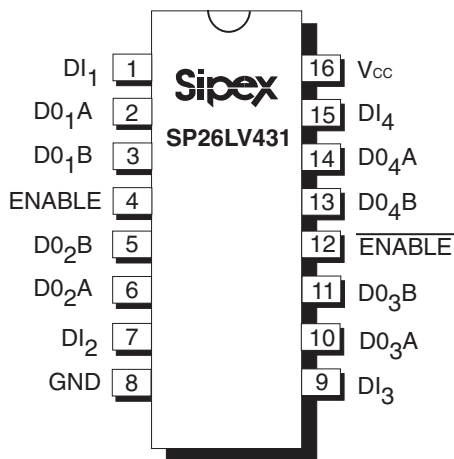


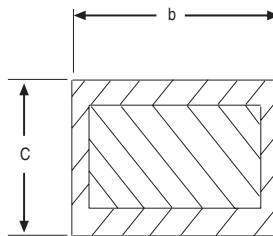
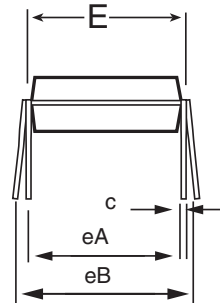
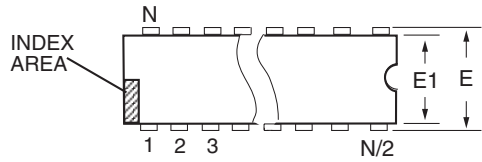
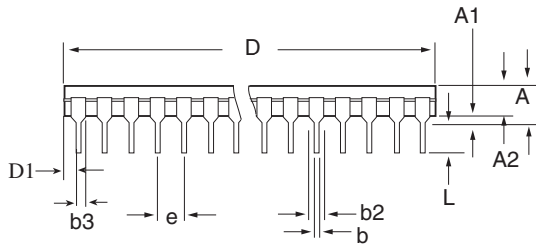
Figure 28. Short Circuit Current vs Voltage



PINOUT

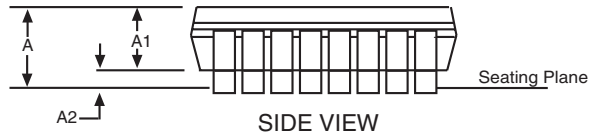
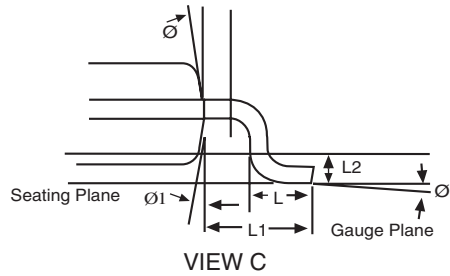
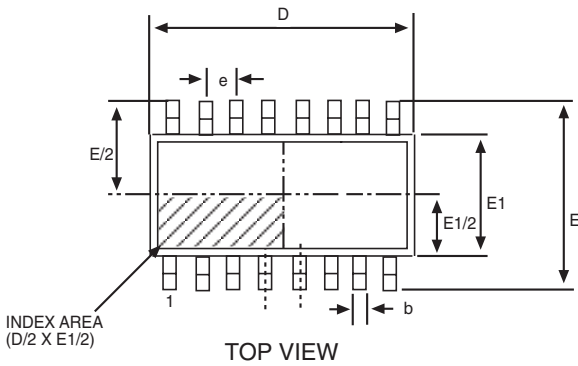
PIN ASSIGNMENTS

PIN NUMBER	PIN NAME	DESCRIPTION
1	DI ₁	Driver 1 TTL input.
2	D0 ₁ A	Non-inverted driver output.
3	D0 ₁ B	Inverted driver output.
4	ENABLE	Driver output enable, active HIGH.
5	D0 ₂ B	Inverted driver output.
6	D0 ₂ A	Non-inverted driver output.
7	DI ₂	Driver 2 TTL input.
8	GND	Ground.
9	DI ₃	Driver 3 TTL input.
10	D0 ₃ A	Non-inverted driver output.
11	D0 ₃ B	Inverted driver output.
12	$\overline{\text{ENABLE}}$	Driver output enable, active LOW.
13	D0 ₄ B	Inverted driver output.
14	D0 ₄ A	Non-inverted driver output.
15	DI ₄	Driver 4 TTL input.
16	V _{CC}	+3.0V to +3.6V power supply.



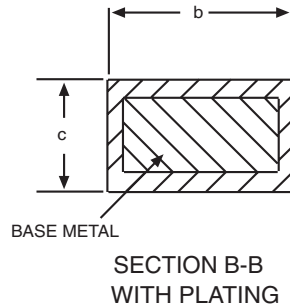
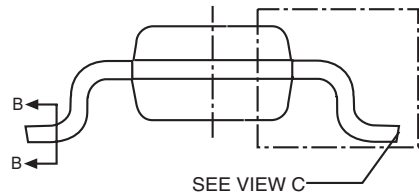
16 PIN PDIP JEDEC MS-001 (BB) Variation			
SYMBOL	MIN	NOM	MAX
A	-	-	0.21
A1	0.15	-	-
A2	0.115	0.13	0.195
b	0.014	0.018	0.022
b2	0.045	0.06	0.07
b3	0.3	0.039	0.045
c	0.008	0.01	0.014
D	0.735	0.75	0.755
D1	0.005	-	-
E	0.3	0.31	0.325
E1	0.24	0.25	0.28
e	.100 BSC		
eA	.300 BSC		
eB	-	-	0.43
L	0.115	0.13	0.15

Note: Dimensions in (mm)



16 Pin NSOIC JEDEC MO-012 (AC) Variation			
SYMBOL	MIN	NOM	MAX
A	1.35	-	1.75
A1	0.1	-	0.25
A2	1.25	-	1.65
b	0.31	-	0.51
c	0.17	-	0.25
D	9.90 BSC		
E	6.00 BSC		
E1	3.90 BSC		
e	1.27 BSC		
L	0.4	-	1.27
L1	1.04 REF		
L2	0.25 BSC		
Ø	0°	-	8°
Ø1	5°	-	15°

Note: Dimensions in (mm)



ORDERING INFORMATION

Model	Temperature Range	Package
SP26LV431CP	0°C to +70°C	16-pin Plastic DIP
SP26LV431CN	0°C to +70°C	16-pin Narrow SOIC
SP26LV431CN/TR	0°C to +70°C	16-pin Narrow SOIC

Available in lead free packaging. To order add "-L" suffix to part number.

Example: SP26LV431CN/TR = standard; SP26LV431CN-L/TR = lead free

/TR = Tape and Reel

Pack quantity is 2500 for NSOIC.

[CLICK HERE TO ORDER SAMPLES](#)

REVISION HISTORY

DATE	REVISION	DESCRIPTION
3/08/04	A	Production Release.
2/24/05	B	Include tape and reel p/n's.



ANALOG EXCELLENCE

Sipex Corporation

Headquarters and Sales Office

233 South Hillview Drive
 Milpitas, CA 95035
 TEL: (408) 934-7500
 FAX: (408) 935-7600

Sales Office

22 Linnell Circle
 Billerica, MA 01821
 TEL: (978) 667-8700
 FAX: (978) 670-9001
 e-mail: sales@sipex.com

Sipex Corporation reserves the right to make changes to any products described herein. Sipex does not assume any liability arising out of the application or use of any product or circuit described herein; neither does it convey any license under its patent rights nor the rights of others.