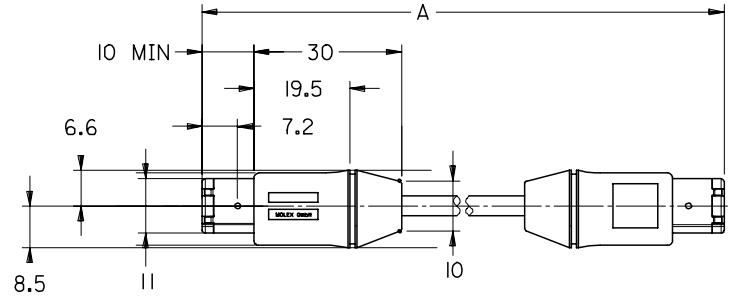


10 9 8 7 6 5 4 3 2 1

NOTES:

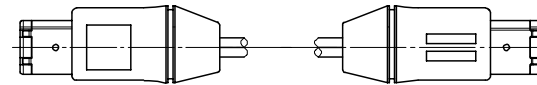
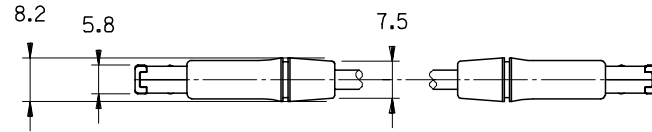
1. STANDARD CONNECTOR
 - HOUSING; MATERIAL: NYLON 4/6 GLASS FILLED UL94V-0; COLOR: BLACK
 - TERMINAL; MATERIAL: PHOSPHOR BRONZE 0.3 THICK FINISH: CONTACT AREA: GOLD 0.76 μmMIN UNDER-PLATING: NICKEL 2 μmMIN
 - METAL SHELL; MATERIAL: STEEL 0.4 THICK FINISH: TIN-LEAD 3 μmMIN UNDER-PLATING NICKEL 1.27 μmMIN
 - OVERMOLD; MATERIAL: POLYAMID; COLOR: BLACK
2. PRODUCT SPECIFICATION PS-85517-011
3. PACKAGING SPECIFICATION PK-85517-004
4. CABLE ASSEMBLY ACCORDING TO IEEE 1394 STANDARD
5. MATERIAL COMPLIANT TO ROHS DIRECTIVE 2002/95/EC

SEE DETAIL X

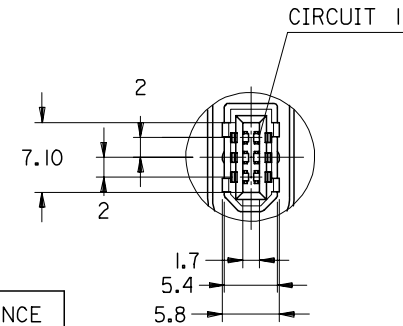


STD CONNECTOR

STD CONNECTOR

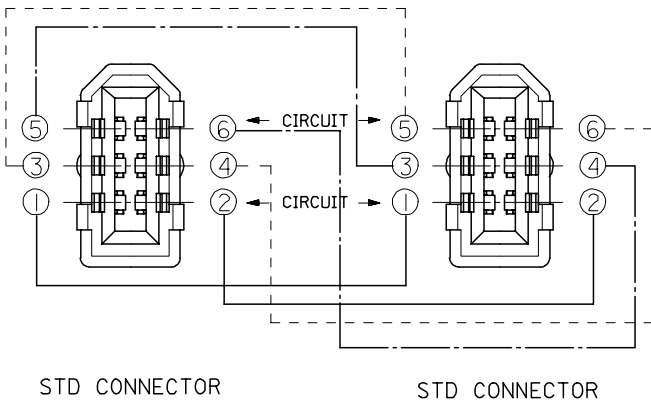


CABLE ASSEMBLY	DIM "A" CABLE LENGTH
85517-0004	2m
85517-0005	4.5m
85517-0006	0.7m
85517-0011	0.3m
85517-0018	6.0m
85517-0019	10m
85517-0020	3.5m
85517-0021	7.0m
85517-0022	8m
85517-0023	9.0m
85517-0024	1.5m
85517-0025	0.4m



DETAIL X (SCALE 2:1)

	LENGTH	TOLERANCE
FINISHED CABLE	L \leq 1M	+/- 5 mm
	L > 1M	+/- 1% L



STD CONNECTOR

STD CONNECTOR

EC NO: MG2006-0268 DRWNEROEZDE 2006/06/14 CHKDARSILLER 2006/06/14 APPR: TREMHOF 2006/06/27	QUALITY SYMBOLS	GENERAL TOLERANCES (UNLESS SPECIFIED)	DIMENSION STYLE	SCALE	DESIGN UNITS	THIRD ANGLE PROJECTION																	
	$\nabla = 0$ $\triangle = 0$	<table border="1"> <thead> <tr> <th></th> <th>mm</th> <th>INCH</th> </tr> </thead> <tbody> <tr><td>4 PLACES</td><td>\pm ---</td><td>\pm ---</td></tr> <tr><td>3 PLACES</td><td>\pm ---</td><td>\pm ---</td></tr> <tr><td>2 PLACES</td><td>\pm 0.05</td><td>\pm ---</td></tr> <tr><td>1 PLACE</td><td>\pm 0.10</td><td>\pm ---</td></tr> </tbody> </table>		mm	INCH	4 PLACES	\pm ---	\pm ---	3 PLACES	\pm ---	\pm ---	2 PLACES	\pm 0.05	\pm ---	1 PLACE	\pm 0.10	\pm ---	MM ONLY	4:1	METRIC			
		mm	INCH																				
	4 PLACES	\pm ---	\pm ---																				
3 PLACES	\pm ---	\pm ---																					
2 PLACES	\pm 0.05	\pm ---																					
1 PLACE	\pm 0.10	\pm ---																					
DESCRIPTION	<table border="1"> <thead> <tr> <th>DRAWN BY</th> <th>DATE</th> <th>TITLE</th> </tr> </thead> <tbody> <tr> <td>HB</td> <td>99/07/29</td> <td>IEEE 1394 CABLE ASSEMBLY STD - STD</td> </tr> <tr> <th>CHECKED BY</th> <th>DATE</th> <th></th> </tr> <tr> <td>FM</td> <td>/ /</td> <td></td> </tr> <tr> <th>APPROVED BY</th> <th>DATE</th> <th></th> </tr> <tr> <td>FM</td> <td>/ /</td> <td></td> </tr> </tbody> </table>	DRAWN BY	DATE	TITLE	HB	99/07/29	IEEE 1394 CABLE ASSEMBLY STD - STD	CHECKED BY	DATE		FM	/ /		APPROVED BY	DATE		FM	/ /		MOLEX INCORPORATED			
DRAWN BY	DATE	TITLE																					
HB	99/07/29	IEEE 1394 CABLE ASSEMBLY STD - STD																					
CHECKED BY	DATE																						
FM	/ /																						
APPROVED BY	DATE																						
FM	/ /																						
REV	<table border="1"> <thead> <tr> <th>MATERIAL NO.</th> <th>DOCUMENT NO.</th> <th>SHEET NO.</th> </tr> </thead> <tbody> <tr> <td>SEE CHART</td> <td>SD-85517-007</td> <td>1 OF 1</td> </tr> </tbody> </table>	MATERIAL NO.	DOCUMENT NO.	SHEET NO.	SEE CHART	SD-85517-007	1 OF 1	DRAFT WHERE APPLICABLE MUST REMAIN WITHIN DIMENSIONS															
MATERIAL NO.	DOCUMENT NO.	SHEET NO.																					
SEE CHART	SD-85517-007	1 OF 1																					

9 8 7 6 5 4 3 2 1