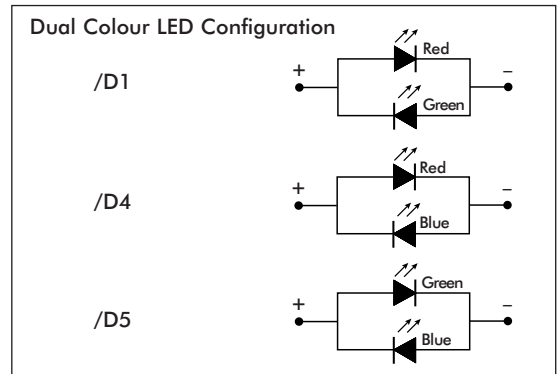
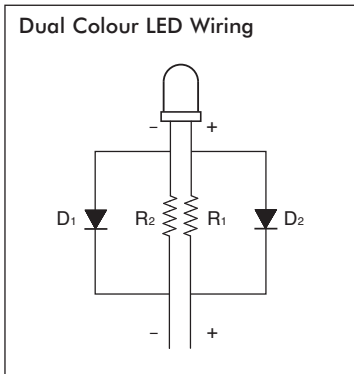
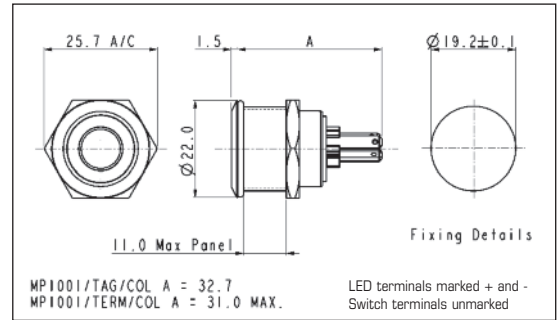


Stainless Steel Illuminated Vandal Resistant

FRONT PANEL MOUNTING



- Dot Illuminated
- 22mm diameter
- S.P. Push to Make
- 50mA, 24V dc contact rating
- Red, Green, Amber, Blue, White or Dual Colour Illumination
- Bright Daylight LEDs
- Separate LED Terminals



Specification

MPI001/Termination/Colour

Terminations:	/28 (2.8mm tabs), /Term (screw terminals)
Switching:	S.P. Push to make, tactile
Max. Switch Rating:	50mA, 24V d.c.
LEDs (ratings @ 20mA)	
Colours	Red Green Amber Blue White Red / Green Red / Blue Blue / Green
Luminous Intensity	900mcd 2500mcd 900mcd 1500mcd 900mcd 2500mcd 5000mcd 2000mcd 850mcd 2000mcd 4000mcd
Forward Voltage*	1.85V 3.5V 2.3V 3.5V 3.6V 2.05V 3.6V 2.0V 3.6V 3.6V 3.6V
Forward Current	20mA 20mA 20mA 20mA 20mA 20mA 20mA 20mA 20mA 20mA
Part No.	/RD /GN /AM /BL /WH /D1 /D4 /D5
*An appropriate resistor must be series connected by the user	
Contact Resistance:	< 100mΩ
Insulation Resistance:	> 10 ³ MΩ
Dielectric Strength:	Contact to Panel >2.0kV Contact to Contact 1500V
Operating Temp. Range:	-30°C to +70°C
Sealing (Front of panel only):	Protection Classification: IP66 EN60529 1992
Operations	
Mechanical:	750,000 (min)
Electrical:	35,000 (min)
Operating Pressure:	12N
Rear Nut Fixing Torque:	0.57Nm
Materials	
Switch assembly:	UL94V-0 rated Polyamide (Nylon)
Tags:	Copper Alloy
Terminals:	Copper Alloy
Switch Body & Button:	Stainless Steel
Lens and Lens Body:	Polycarbonate
O ring:	Nitrile
Internal seal:	Silicone
Contact Plate:	Gold Plated
	ESD Handling precautions must be taken
	Compliant

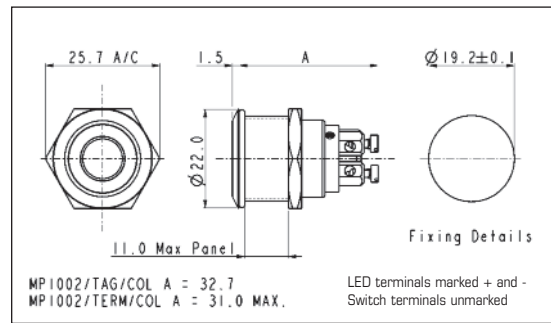


Stainless Steel Illuminated Vandal Resistant

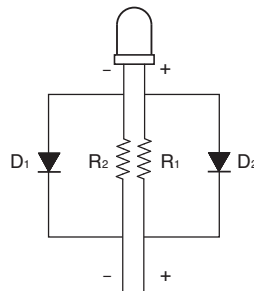
FRONT PANEL MOUNTING



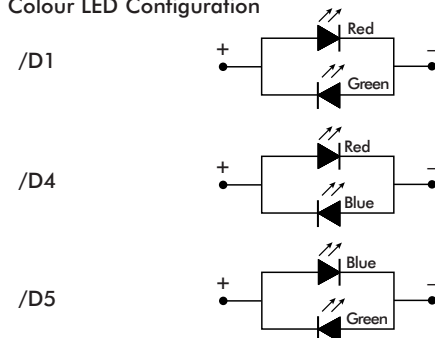
- Ring Illuminated
- 22mm diameter
- S.P. Push to Make
- 50mA, 24V dc contact rating
- Red, Green, Amber, Blue, White or Dual Colour Illumination
- Bright Daylight LEDs
- Separate LED Terminals



Dual Colour LED Wiring



Dual Colour LED Configuration



Specification

MPI002/Termination/Colour

Terminations:	/28 (2.8mm tabs), /Term (screw terminals)											
Switching:	S.P. Push to make, tactile											
Max. Switch Rating:	50mA, 24V d.c.											
LEDs (ratings @ 20mA)												
Colours	Red	Green	Amber	Blue	White	Red / Green	Red / Blue	Blue / Green				
Luminous Intensity	900mcd	2500mcd	900mcd	1500mcd	900mcd	2500mcd	5000mcd	2000mcd	850mcd	2000mcd	4000mcd	
Forward Voltage*	1.85V	3.5V	2.3V	3.5V	3.6V	2.05V	3.6V	2.0V	3.6V	3.6V	3.6V	
Forward Current	20mA	20mA	20mA	20mA	20mA	20mA	20mA	20mA	20mA	20mA	20mA	
Part No.	/RD	/GN	/AM	/BL	/WH	/D1		/D4			/D5	

*An appropriate resistor must be series connected by the user

Contact Resistance:	< 100mΩ
Insulation Resistance:	> 10 ³ MΩ.
Dielectric Strength:	Contact to Panel >2.0kV Contact to Contact 1500V
Operating Temp. Range:	-30°C to +70°C
Sealing (Front of panel only):	Protection Classification: IP66 EN60529 1992
Operations	
Mechanical:	750,000 (min)
Electrical:	35,000 (min)
Operating Pressure:	12N
Rear Nut Fixing Torque:	0.57Nm
Materials	
Switch assembly:	UL94V-0 rated Polyamide (Nylon)
Tags:	Copper Alloy
Terminals:	Copper Alloy
Switch Body & Button:	Stainless Steel
Lens and Lens Body:	Polycarbonate
O ring:	Nitrile
Internal seal:	Silicone
Contact Plate:	Gold Plated

ESD Handling precautions must be taken

Compliant

