

**Canon**



BUBBLE JET PRINTER

**S200**

# **User's Guide**

# Table of Contents



Introduction .....	5
How to Use This Manual .....	6
Safety Precautions .....	8
Printer Parts and Their Functions .....	15
Front View .....	16
Rear View .....	17
Inside the Printer .....	18
Configuration of the BJ Cartridge .....	19
Printer Driver Functions (Windows) .....	20
Opening the Printer Properties Dialog Box .....	21
Printer Properties Dialog Box Description .....	23
BJ Status Monitor Functions .....	37
Cancelling a Print Job .....	40
Uninstalling Printer Drivers .....	42
Printer Driver Functions (Macintosh) .....	43
Description of Print Settings .....	44
BJ Print Monitor .....	61
Cancelling a Print Job .....	63

Using the Printer with a Network .....	65
Uninstalling Printer Drivers .....	69
<b>Routine Maintenance .....</b>	<b>70</b>
When to Replace Ink Tank and Maintain Print Head .....	71
Replacing an Ink Tank .....	72
Printing the Nozzle Check Pattern .....	77
Print Head Cleaning .....	81
Print Head Deep Cleaning .....	83
Print Head Alignment .....	85
Enabling Low Ink Warning .....	91
Setting Ink Drying Wait Time .....	97
Transporting the Printer .....	99
<b>Printing Media .....</b>	<b>103</b>
Compatible Media Types .....	104
Envelopes .....	106
High Resolution Paper HR-101N .....	110
Glossy Photo Paper GP-301N/GP-301 .....	112
High Gloss Photo Film HG-201 .....	114
Glossy Photo Cards FM-101 .....	116
Photo Paper Pro PR-101 .....	118
Photo Paper Pro PC-101S .....	120
Transparencies CF-102 .....	122
T-Shirt Transfers TR-201 .....	124
Banner Paper .....	126

Troubleshooting .....	129
Cannot Install the Printer Driver .....	130
Print Quality is Poor or Contains Errors .....	132
Printer Does Not Start or Stops During Print Jobs .....	149
Paper Does Not Feed Properly or Paper Jams .....	155
An Error Message is Displayed on the Screen .....	158
Low Ink Warning Displays Ink Tank with '?' .....	167
Problems Unique to Windows .....	170
Problems Unique to the Macintosh .....	173
Appendices .....	176
Deleting an Unknown Device .....	177
Specifications .....	180
Index .....	194

# Introduction

Thank you for purchasing the Canon S200 Bubble Jet Printer. This User's Guide provides complete explanations of the features and functions of the printer.

This guide uses the following symbols to indicate important information. Always observe these instructions.

**Warning** ➤ Instructions that, if ignored, could result in death or serious personal injury caused by incorrect operation of the equipment.  
Must be observed for safe operation.

**Caution** ➤ Instructions that, if ignored, could result in personal injury or material damage caused by incorrect operation of the equipment.  
Must be observed for safe operation.

**Important** ➤ Prohibited actions that, inadvertently performed, could result in equipment damage, faults or impaired product quality.  
Must be avoided for correct operation.

Windows

Information for Windows users only.

Macintosh

Information for Macintosh users only.

# How to Use This Manual

To view this User's Guide, we recommend that you use Acrobat Reader 4.0 or Acrobat Reader 3.0. Please note that screens displayed by Acrobat Reader 3.0 are slightly different.



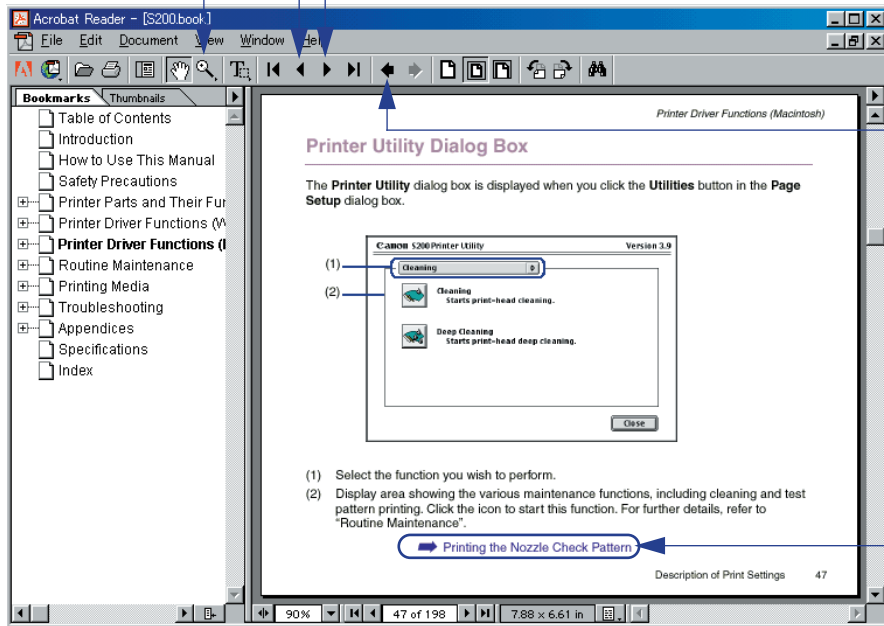
Use this button to enlarge the viewing screen. Select this button in the tool bar and click within the screen.



Displays the previous page.

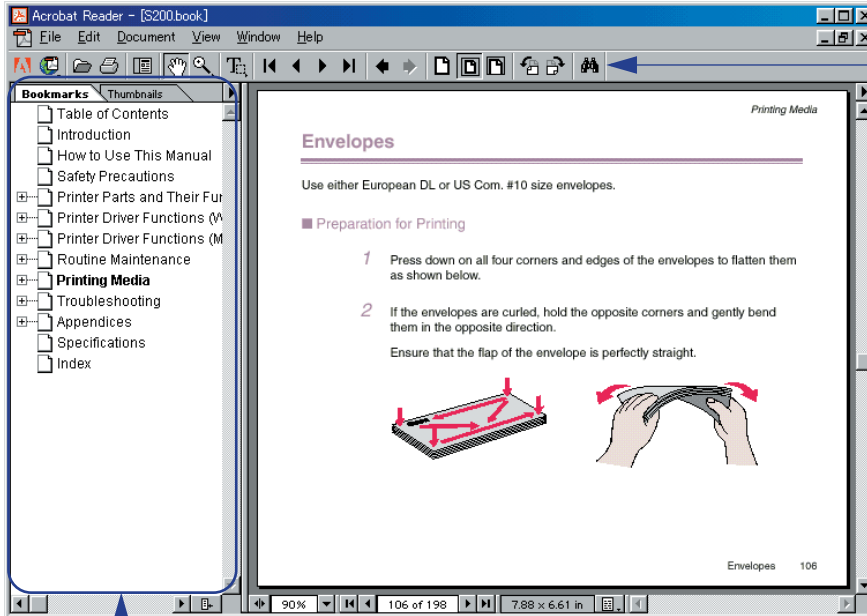


Displays the next page.



Returns to the page you were previously viewing.

Click to jump straight to this page.



Use this button to search for a word.

Displays the table of contents.  
 Click the heading to jump to the topic.  
 Click the “+” symbol to see the headings for each chapter.  
 Click the “-” symbol to close the headings.

# Safety Precautions

Please read the safety warnings and cautions provided in this manual to ensure that you use the printer safely. Do not attempt to use the printer in any way not described in this manual.

**Warning** ➤ You may cause an electric shock/fire or damage the printer if you ignore any of these safety precautions.

## ■ Choosing a location

Do not place the printer close to flammable solvents such as alcohol or thinners.

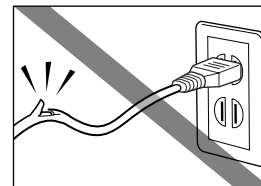
## ■ Power supply

Never attempt to plug in or unplug the printer from the power supply when your hands are wet.

Regularly unplug the printer, and clean the plug itself and the area around the plug to remove accumulated dust and/or stains with a dry cloth.

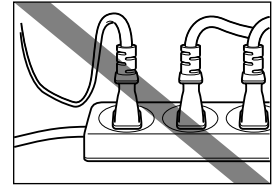
Always push the plug all the way into the power outlet.

Never damage, modify, stretch or excessively bend or twist the power cord. Do not place heavy objects on the power cord.





Never plug the printer into a power socket that is shared with other equipment (extension lead, double adapter, etc.).



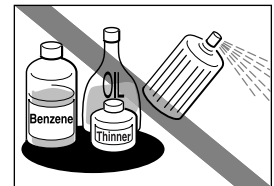
Never use the printer if the power cord is bundled or knotted.

If you detect smoke, unusual smells or strange noises around the printer, immediately unplug the printer at the power supply and call for service.

## ■ Cleaning the printer

Use a damp cloth to clean the printer. Never use flammable solvents such as alcohol, benzene or thinners.

If flammable solvents come in contact with electrical components inside the printer, it could cause a fire or electric shock.



Always unplug the printer from the power outlet before cleaning the printer.

If you do not unplug the printer before cleaning it, you could injure yourself or damage the printer.

## ■ Maintaining the printer

Do not attempt to disassemble or modify the printer. There are no user serviceable parts inside the printer.

The printer contains high-voltage components. Never attempt any maintenance procedure not described in this guide.

## ■ Working around the printer

Do not use inflammable sprays near the printer.

This could cause a fire or electric shock if the spray comes into contact with electrical components inside the printer.

**Caution** ➤ You may cause injury or damage the printer if you ignore any of these safety precautions.

## ■ Choosing a location

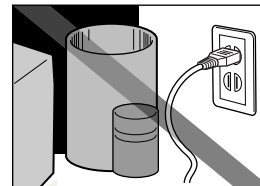
Do not install the printer in a location that is unstable or subject to excessive vibration.

Do not install the printer in locations that are very humid or dusty, in direct sunlight, outdoors, or close to a heating source.

To avoid the risk of fire or electric shocks, install the printer in a location with an ambient temperature range of 5°C to 35°C (41°F to 95°F) and humidity of 10% to 90% (condensation free).

Do not place the printer on a thick rug or carpet.

Ensure that the area around the power outlet is kept clear at all times so you can easily unplug the power cord if necessary.

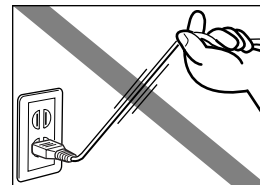


When you to transport the printer, be sure to hold both edges of the printer with your fingers of both hands securely, or hold the handle of the printer.

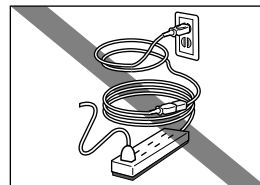
If you happen to hold the printer carelessly, you may drop it and then you may be injured.

## ■ Power supply

Never remove the plug by pulling on the cord.



Do not use an extension lead.



If you do not intend to use the printer for a long period of time, unplug the printer.

Never use a power supply voltage other than that supplied in the country of purchase.

The correct power supply voltage and frequency is as follows:

Europe: AC 230V  $\pm$  10%, 50Hz

USA/Canada: AC 120-127V, 60Hz

Australia: AC 240V, 50Hz

## ■ Working around the printer

Never put your hands or fingers in the printer while it is printing.

Do not place metal objects (paper clips, staples, etc.) or containers of flammable solvents (alcohol, thinners, etc.) on top of the printer.

If any foreign object (metal or liquid) falls into the printer, unplug the power cord and call for service.

## ■ Regularly unplug the printer, and clean the plug itself and around the plug to remove accumulated dust.

If you leave the printer connected to the power outlet for a long time in a place subject to much dust, humidity or greasy fumes, dust accumulated around the power plug takes up moisture to cause insufficient insulation, then a fire.

## ■ Print heads and ink tanks

For safety reasons store print heads and ink tanks out of the reach of small children.

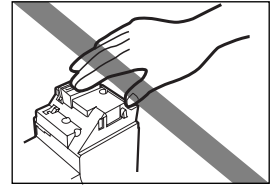
If a child ingests any ink, consult a doctor immediately.

Do not shake print heads or ink tanks.

Ink may leak out and stain clothing or the surrounding area.

Never touch the electrical contacts on a print head after printing.

The metal parts may be very hot and could cause burns.



# Printer Parts and Their Functions



- Front View
- Rear View
- Inside the Printer
- Configuration of the BJ Cartridge

## Front View

---

### Paper Guide

When loading paper, ensure the left edge just touches this guide. To move the paper guide, pinch the knob and slide in the appropriate direction.

### Paper Rest

### RESUME/CANCEL Button

Press to resume printing once an error has been resolved. The printer will then initialise ready for printing. Also, to cancel printing in progress, press this button.

This printer does not have a Power switch. Warming up starts as soon as it is plugged in. Unless unplugged, the printer will remain ready to print with a very low level of power consumption.

### Sheet Feeder

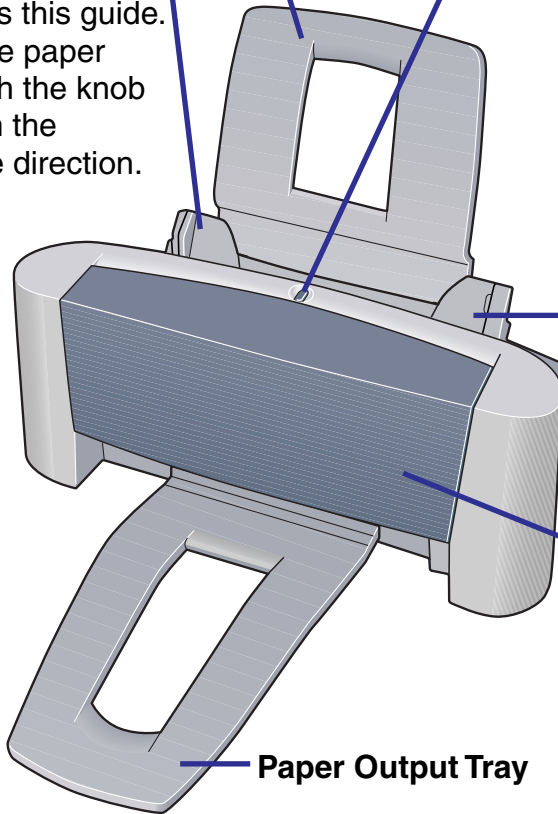
Load paper here. Paper feeds automatically, one sheet at a time.

### Front Cover

Open to replace the ink tanks or remove jammed paper.

Do not open the front cover unnecessarily. Print head cleaning will start automatically when the cover is closed and this process consumes ink.

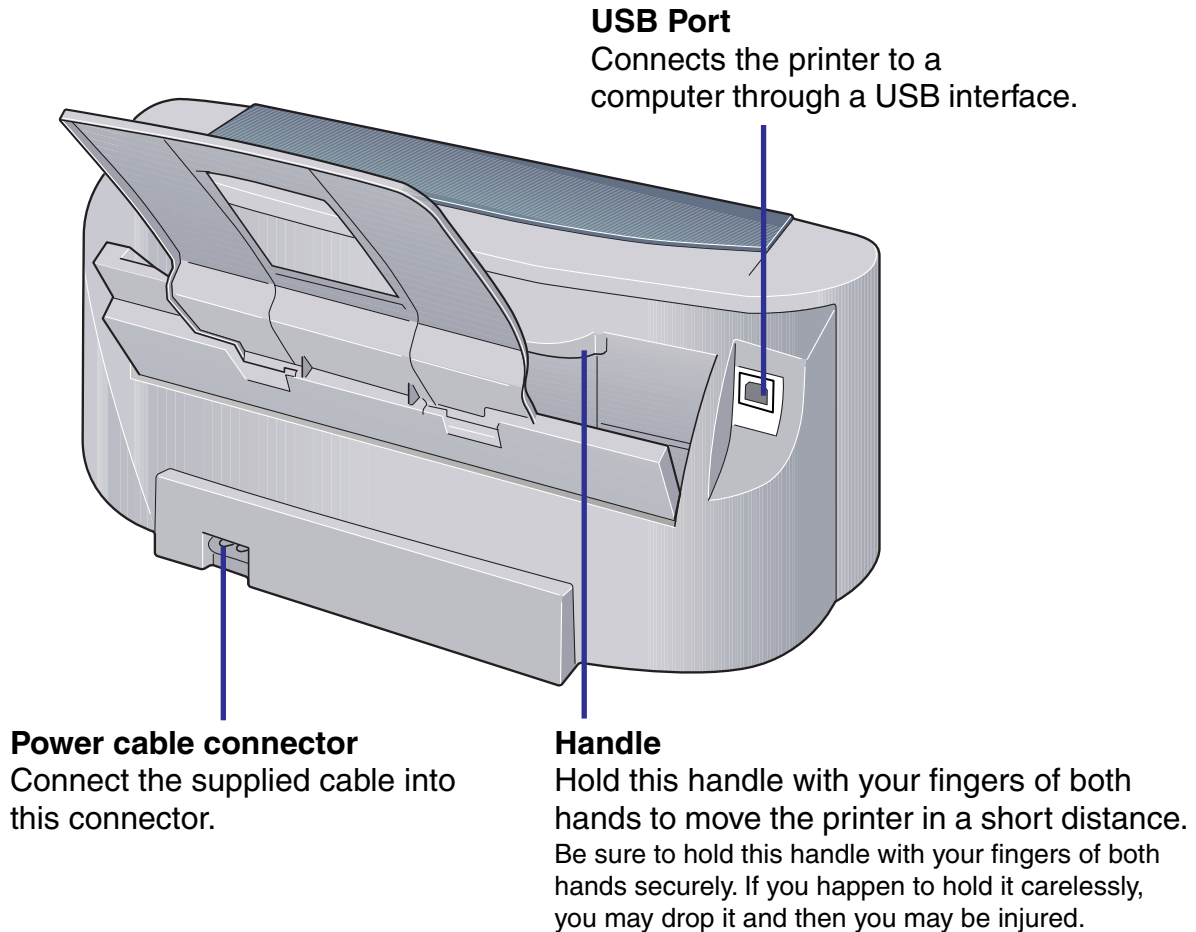
### Paper Output Tray





## Rear View

---



### USB Port

Connects the printer to a computer through a USB interface.

### Power cable connector

Connect the supplied cable into this connector.

### Handle

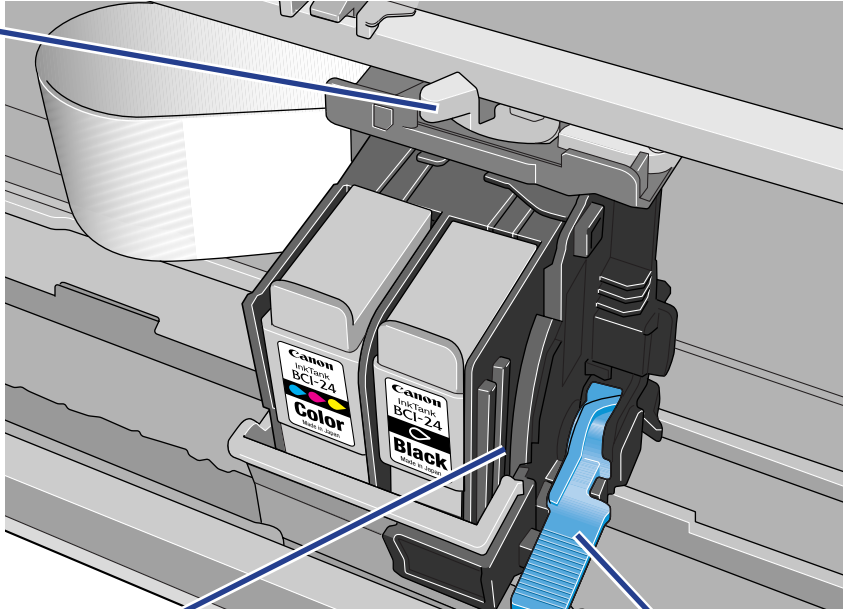
Hold this handle with your fingers of both hands to move the printer in a short distance. Be sure to hold this handle with your fingers of both hands securely. If you happen to hold it carelessly, you may drop it and then you may be injured.

## Inside the Printer

---

### Paper Thickness Lever

Adjusts the gap between the print head and the surface of the printing paper.



### Cartridge Holder

Install the BJ Cartridge here. The BJ Cartridge consists of a print head and two ink tanks.

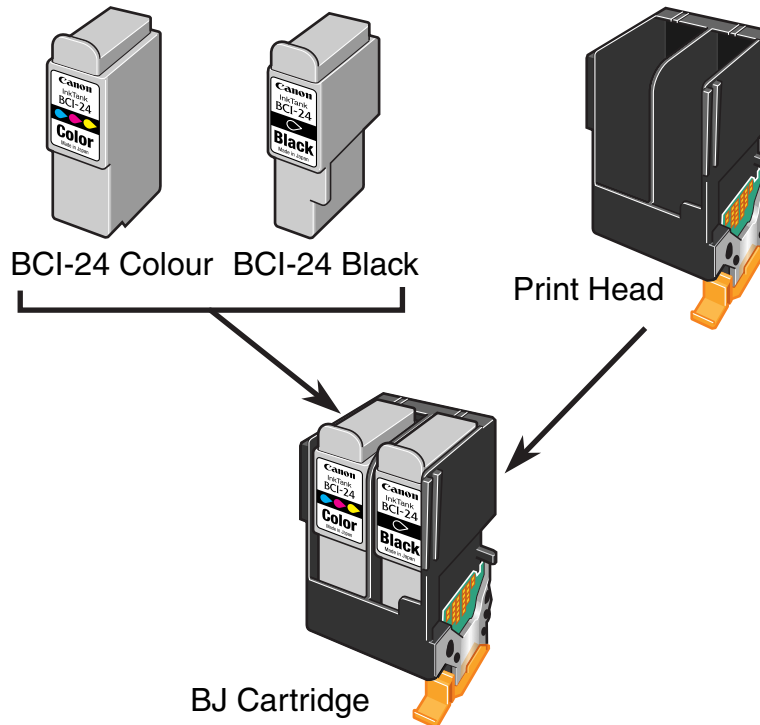
### Cartridge Lock Lever

Locks the BJ Cartridge into the holder. Once the BJ Cartridge is installed, do not touch this lever.

## Configuration of the BJ Cartridge

---

The BJ Cartridge consists of a print head and two ink tanks (expendable supplies) as shown below. When the printer runs out of ink, replace only the empty ink tank with a new one.



# Printer Driver Functions (Windows)



- Opening the Printer Properties Dialog Box
- Printer Properties Dialog Box Description
- BJ Status Monitor Functions
- Cancelling a Print Job
- Uninstalling Printer Drivers

# Opening the Printer Properties Dialog Box

---

The Printer Properties dialog box can be opened from either within an application, or directly from the Windows **Start** menu.

## ■ Opening the Printer Properties dialog box from your application program

This method is generally used to specify printer settings just before printing. The operations may vary slightly depending on your application program. This section describes only the general procedure for opening the Printer Properties dialog box.

**1** In your application, select the command to print a document.

The **Print** dialog box can usually be opened by selecting **Print** from the **File** menu. Ensure that **Canon S200** is selected in the **Name** field.

To open the Printer Properties dialog box, select:

- Windows Me/Windows 98 → **Properties**
- Windows XP/Windows 2000 → **Printing Preferences...**

The Printer Properties dialog box opens.

**Note** ➤ Depending on your application program, the command and menu names may differ, and there may be more steps involved in opening the Printer Properties dialog box. For further details, see the user's manual for your application.

## ■ Opening the Printer Properties dialog box directly from the **Start** menu

This method is used for maintenance operations such as print head cleaning, or to specify printer settings common to all application programs.

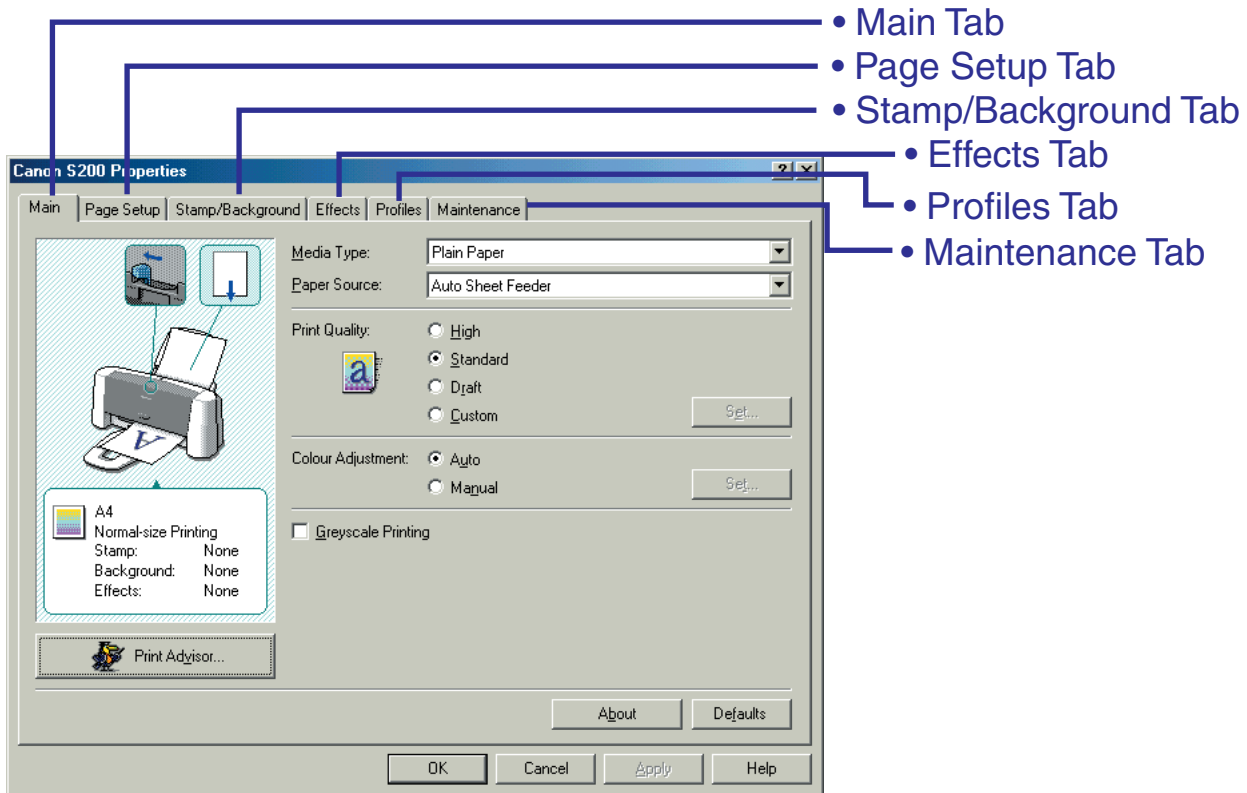
When the Printer Properties dialog box is opened from the **Start** menu, additional tabs appear, including the **Details** tab. These do not appear when the Printer Properties dialog box is opened from within an application.

For further information about these additional tabs, refer to your Windows documentation.

- 1 Click the **Start** button, and select:
  - Windows Me/Windows 2000/Windows 98 → **Printers** in Settings
  - Windows XP → **Control Panel - Printer and Other Hardware - Printers and Faxes**
  
- 2 Select the **Canon S200** icon.
  
- 3 Open the **File** menu and select:
  - Windows Me/Windows 98 → **Properties**
  - Windows XP/Windows 2000 → **Printing Preferences...**

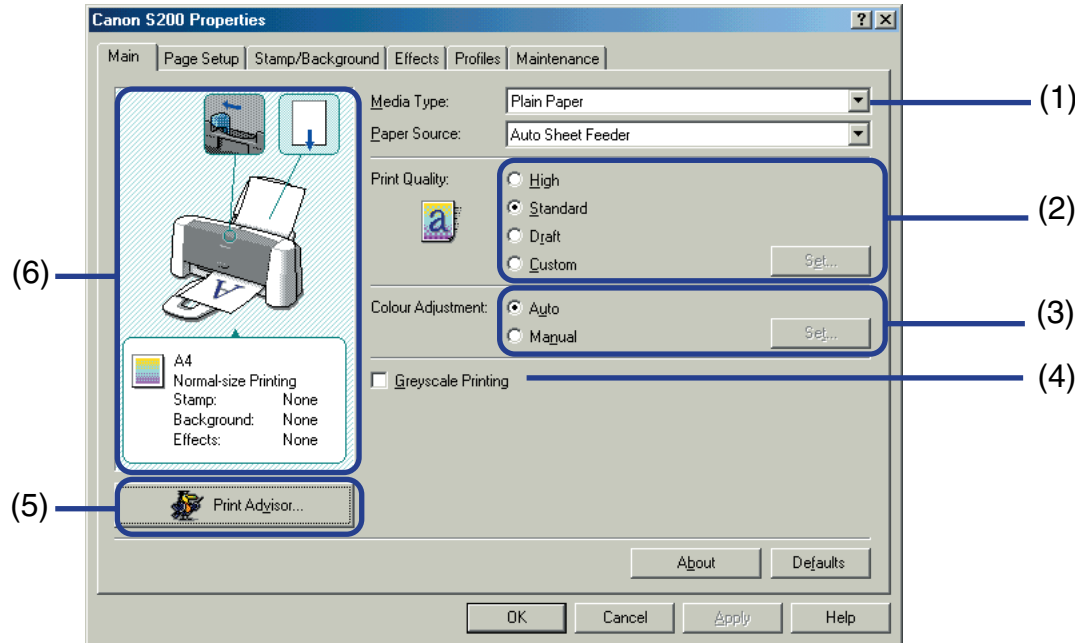
The Printer Properties dialog box opens.

# Printer Properties Dialog Box Description



**Note** ➤ The screens in this section refer to Windows Me/Windows 98 operation. The equivalent screens for Windows XP/Windows 2000 may look slightly different.

## Main Tab



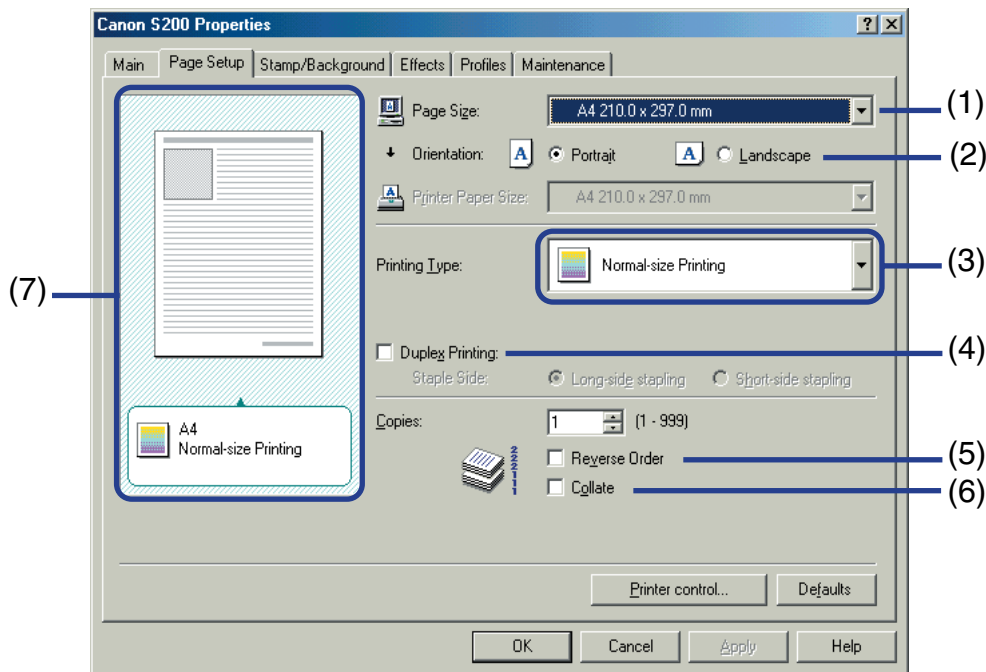
- (1) **Media Type**  
Ensure this setting matches the type of media loaded in the printer.
- (2) **Print Quality**  
Select the print quality you require from among the different options. To select custom Print quality, select **Custom** and click the **Set...** button.



- (3) **Colour Adjustment/Color Adjustment**  
Select the method of colour adjustment. To make detailed colour adjustments, select **Manual**, then click the **Set...** button.
- (4) **Greyscale Printing/Grayscale Printing**  
Select to print a greyscale version of a colour document.
- (5) **Print Advisor...**  
Click to start the Print Advisor.  
The Print Advisor simplifies configuration of the printer driver. By having the user answer a series of questions, the Printer Advisor automatically configures the printer driver settings.
- (6) **Preview Area**  
Before starting printing, verify that settings such as the lever position are correct.

**Note** ➤ To see a description of any item in the Printer Properties dialog box, click the **?** mark then click the desired item. To see a description of operating procedures, click the **Help** button. If the button does not appear when using Windows XP/Windows 2000, click the **Start** button then select **Programs - Canon S200 - Guide**.

# Page Setup Tab



- (1) **Page Size**  
Ensure the correct paper size is selected.

(2) **Orientation**

Select landscape or portrait printing and ensure it is the same orientation used in the application.

(3) **Printing Type**

Select the printing method from among the following.

**Normal-size Printing** The document is printed according to the original dimensions. This setting is usually selected by default.

**Fit-to-Page Printing** The document is automatically resized and printed to fit into a specified page size.

**Scaled Printing** The document is resized when printed. When this is selected, you can specify the **Printer Paper Size** and **Scaling**.

**Page Layout Printing** Pages are reduced and printed so that multiple document pages fit on each printed page.

**Booklet Printing** The multiple-page document is printed so that two pages of the document fit on each printed page. The print order is set automatically. After the document is printed, you can create a booklet by folding and saddle-stitching the document.

**Poster Printing** This enlarges and splits the print image across several sheets of paper. The printed sheets can then be assembled to make a large poster.

**Banner Printing** Select this when printing on banner paper.

(4) **Duplex Printing**

The document is printed on both sides of the paper. After printing one side, turn the ejected page over, and print on the other side.

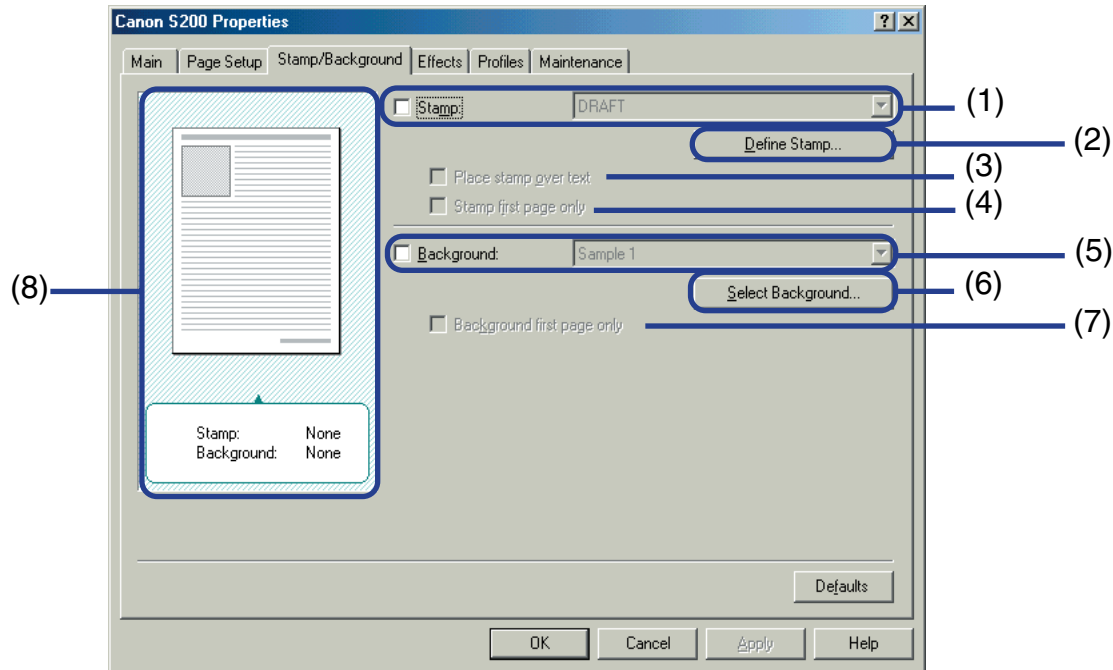
(5) **Reverse order**

Prints the document start with the last page.

- (6) **Collate**  
Select to print multiple copies of the document one copy at a time.
- (7) **Preview Area**  
Verify the overall layout, stamps, background, etc., to be applied to the print job.

**Note**   ▶   When you are to print a Web page, the entire page may not be printed. In such a case, select Scaled Printing as Printing Type.

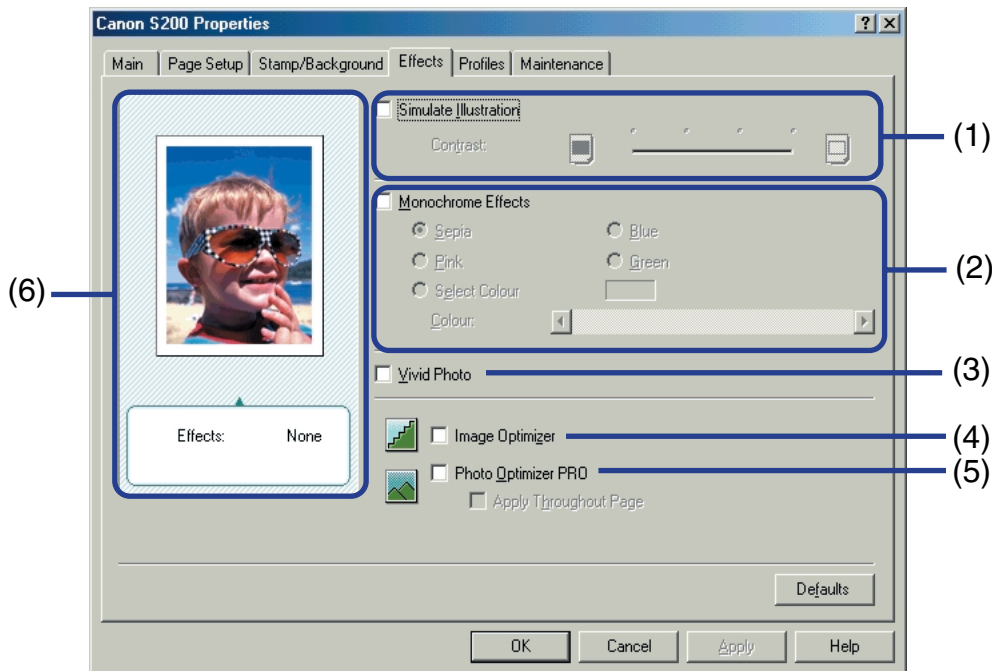
## Stamp/Background Tab



- (1) **Stamp**  
Select the check box and choose the stamp.
- (2) **Define Stamp...**  
This allows you to create new stamps, or modify details of a selected stamp.

- (3) **Place stamp over text**  
When **Stamp** is selected, you can select this check box. When selected, the stamp is printed over the print data.
- (4) **Stamp first page only**  
When **Stamp** is selected, you can select this check box. When selected, the stamp is printed only on the first page.
- (5) **Background**  
Select the check box and choose the background image you wish to use.
- (6) **Select Background...**  
This allows you to register a new background, or to display details of the background you have selected.
- (7) **Background first page only**  
When **Background** is selected, you can select this check box. When selected, the background image is printed only on the first page.
- (8) Preview Area

## Effects Tab



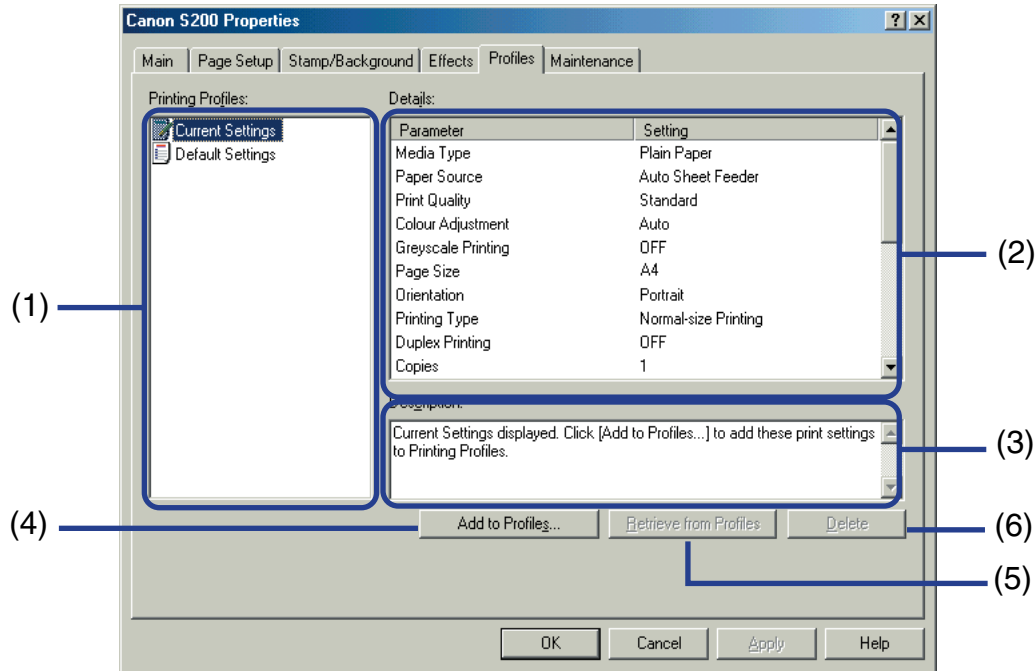
### (1) Simulate Illustration

This function manipulates colour image data with certain effects. Select the check box and adjust the brightness of the image with the **Contrast** slide bar.

- (2) **Monochrome Effects**  
Prints a colour image in a single colour. Select the check box and choose a colour or use a custom colour using **Select Colour/Select Color**.
- (3) **Vivid Photo**  
Prints a photo or image data in vivid colours.  
By enlarging the blue and green colour areas, this function prints the blue sky or green trees of a photo vividly.
- (4) **Image Optimizer**  
Improves the contours and smoothes jaggedness that occur when photographic or graphic image data is enlarged within an application.
- (5) **Photo Optimizer PRO**  
Optimises the colour of images taken from a digital camera or scanner. It is especially effective for images affected by colour imbalance and over- or under exposure. When printing several images on one page, optimisation is usually applied to each image according to its requirements. However, if the image data has been manipulated using cut and paste, rotation or other such operations, group optimisation of all images on the one page is recommended. In such cases, select the **Apply Throughout Page** check box.
- (6) Preview Area



## Profiles Tab

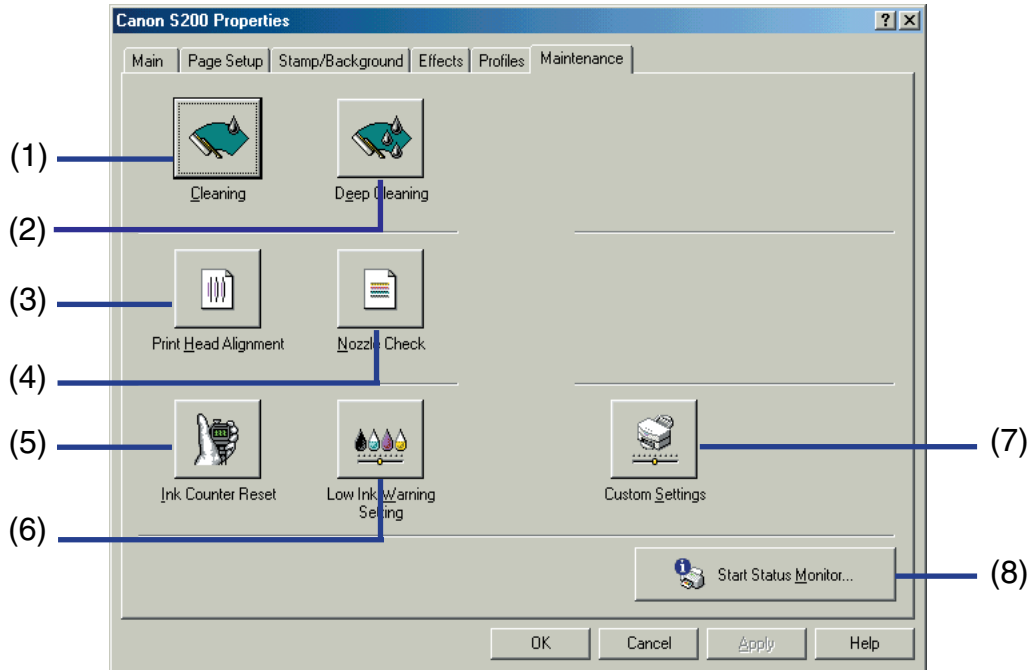


### (1) Printing Profiles

This list displays the printing settings currently registered in the Profiles tab. The **Current Settings** profile contains the settings currently specified in the **Main**, **Page Setup**, **Stamp/Background** and **Effects** tabs. The **Default Settings** profile contains the factory default settings.

- (2) **Details**  
Displays all the printer settings selected in **Printing Profiles**.
- (3) **Description**  
Displays a description of the printer settings selected in **Printing Profiles**. You can enter the description when saving the printer settings.
- (4) **Add to Profiles...**  
Click to save the settings currently specified in the **Main, Page Setup, Stamp/Background** and **Effects** tabs. Select **Current Settings** in the **Printing Profiles** list then click this button. The **Add to Profiles...** dialog box appears.
- (5) **Retrieve from Profiles**  
Click to activate registered printer settings. The contents of the **Main, Page Setup, Stamp/Background** and **Effects** tabs are changed by selecting the printer settings in **Printing Profiles** and then clicking this button.  
This button is disabled when **Current Settings** is selected.
- (6) **Delete**  
Click to delete unwanted printer settings. Select the unwanted item in the **Printing Profiles** list and click the **Delete** button.  
**Current Settings** and **Default Settings** cannot be deleted.

## Maintenance Tab



- (1) Cleaning**  
Click to start print head cleaning.
- (2) Deep Cleaning**  
Click to start print head deep cleaning.  
Use this function only if **Cleaning** has not improved the print quality.

- (3) **Print Head Alignment**  
Aligns the print head. For details on print head alignment, refer to “[Print Head Alignment](#)” .
- (4) **Nozzle Check**  
Prints the nozzle check pattern to ensure the print head nozzles are outputting ink normally. For details, refer to “[Examining the Nozzle Check Pattern](#)”.
- (5) **Ink Counter Reset**  
Resets ink counter to an initial value. Click every time you replace an ink tank while you enable the low ink warning function.
- (6) **Low Ink Warning Setting**  
This allows you to enable the low ink warning function.
- (7) **Custom Settings...**  
Click to modify the printer mode. Change the settings in the **Custom Setting** dialog box and click **Send** to change printer mode.
- (8) **Start Status Monitor**  
Click to start the BJ Status Monitor, to check the printer status and the progress of printing jobs.

**Note**    ➤ In Windows XP/Windows 2000, you may not select any maintenance function if you invoke this tab from your application. In such a case, open the Printer Properties dialog box directly from the Start menu (see page 22).

## BJ Status Monitor Functions

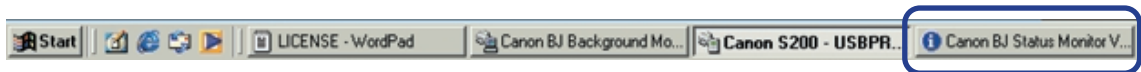
---

The BJ Status Monitor allows you to check the status of the printer. If an error occurs, the status monitor indicates the nature of the error and suggests an appropriate solution. When the low ink warning is set to be enabled, the status monitor also checks the ink tanks and displays a warning message when the ink is low.

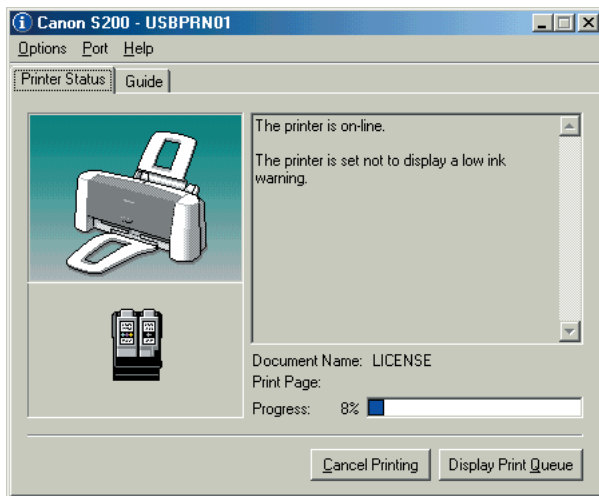
### ■ Launching the BJ Status Monitor

The BJ Status Monitor launches automatically when data is sent to the printer. When launched, the BJ Status Monitor appears as an icon on the Task Bar.

- 1 Click the **Canon BJ Status Monitor** (Windows Me/Windows 98) or **Canon S200 - USB001** (Windows XP/Windows 2000) icon on the Task Bar.



The BJ Status Monitor appears.



**Note** ➤ To open the BJ Status Monitor when the printer is not printing, click the **Maintenance** tab in the Printer Properties dialog box and click the **Start Status Monitor** button.

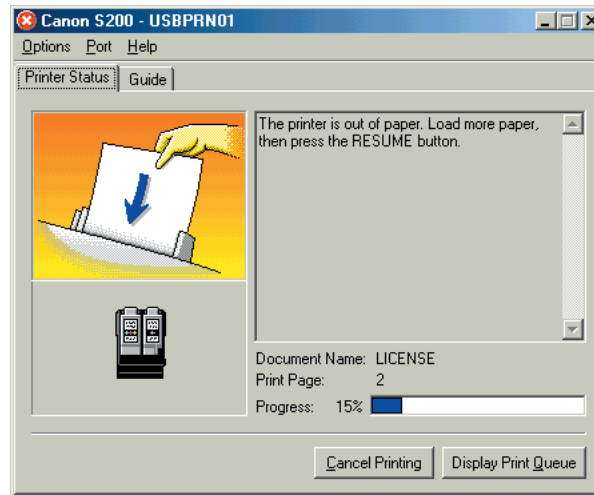
## ■ When errors occur

The BJ Status Monitor is automatically displayed when an error occurs, e.g. if the printer runs out of paper or paper jams.

In such cases, take the appropriate action as described in the **Printer Status** tab.

In Windows Me, Windows 98, click the **Guide** tab and follow the instructions on screen.

When paper has run out:



- Notes**
- For details on the BJ Status Monitor, select the **Help** menu and click on the topic of interest.
  - In Windows XP/Windows 2000, the Guide tab does not appear on the screen. Follow the instructions displayed on the **Printer Status** tab to correct an error.

## Cancelling a Print Job

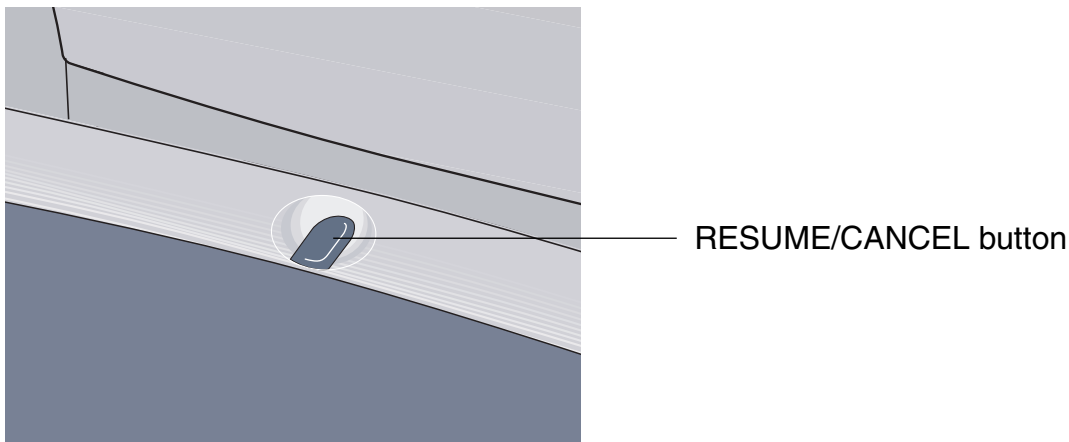
---

You can cancel a print job that is currently performed by:

- Pressing the **RESUME/CANCEL** button, or
- Operating the **BJ Status Monitor**.

### ■ Cancelling a print job with the RESUME/CANCEL button of the printer itself

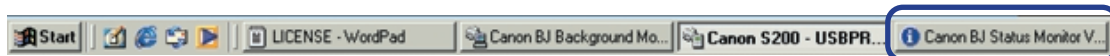
Press the **RESUME/CANCEL** button to terminate the print job.



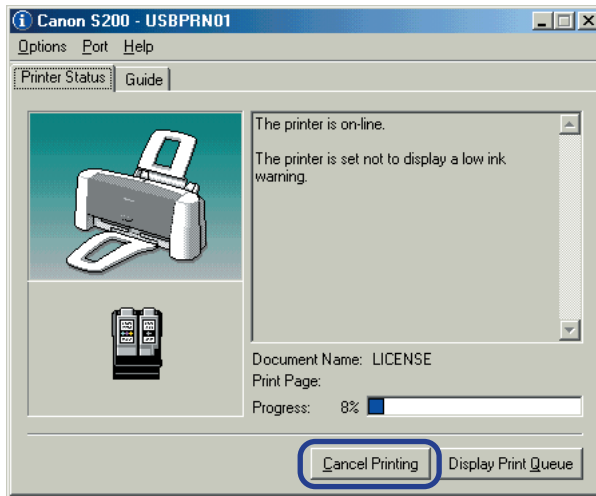


## ■ Cancelling a print job from the BJ Status Monitor

- 1 Click the **Canon BJ Status Monitor** (Windows Me/Windows 98) or **Canon S200 - USB001** (Windows XP/Windows 2000) icon on the Task Bar.



- 2 Click **Cancel Printing**.



## Uninstalling Printer Drivers

---

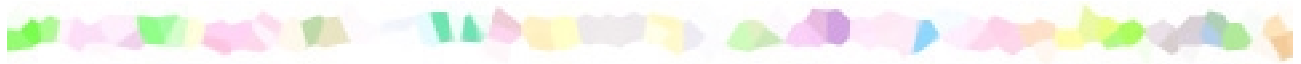
Use the Uninstaller to delete any unwanted printer drivers. This allows you to delete all the files associated with the printer driver at the same time.

- 1** Click the **Start** button and select **Programs, Canon S200, Uninstall**.  
In Windows XP, click the **Start** button and select **All Programs**.
- 2** Click **Yes** when the confirmation message appears.
- 3** When all the files have been deleted, click **OK**.  
The deletion of the printer driver is complete.

If a message prompts you to restart your computer, click **OK** to restart your computer.

**Note** ➤ In Windows Me or Windows 98, you can also start the Uninstaller by double-clicking on **Uninstall** in the **Canon S200** folder on the desktop.

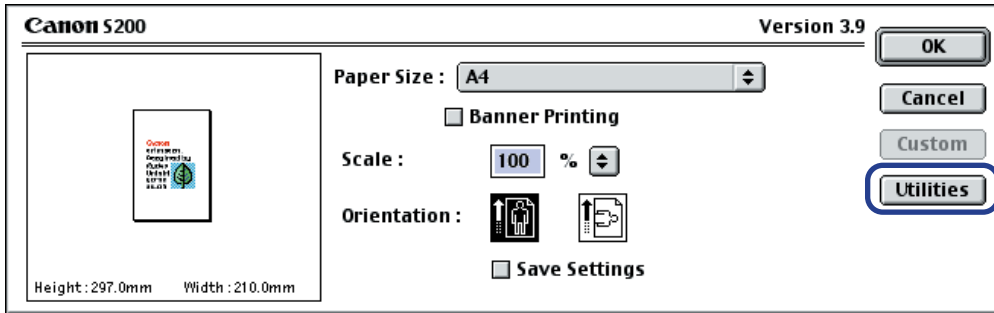
# Printer Driver Functions (Macintosh)



- Description of Print Settings
- BJ Print Monitor
- Cancelling a Print Job
- Using the Printer with a Network
- Uninstalling Printer Drivers

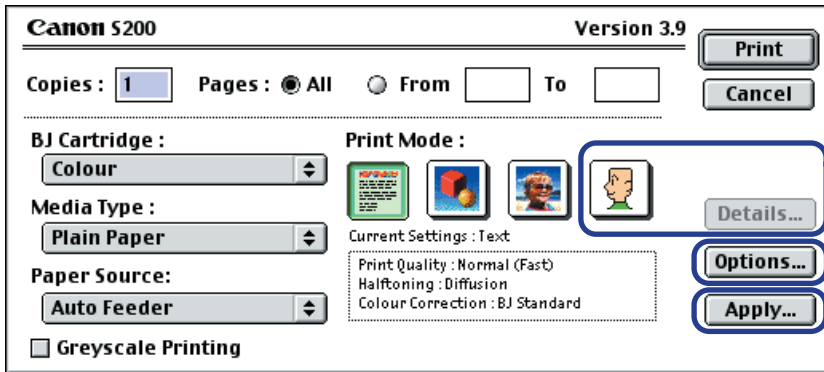
# Description of Print Settings

- Page Setup Dialog Box



- Printer Utility Dialog Box

- Print Dialog Box



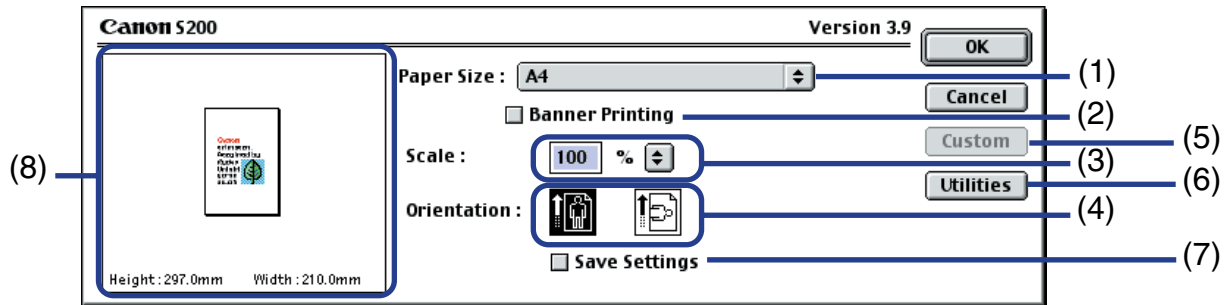
- Detailed Setting Dialog Box

- Options Dialog Box

- Register Settings Dialog Box

## Page Setup Dialog Box

The Page Setup dialog box contains settings for the printed page, such as the size of the print media, and resizing the printed image. To open the Page Setup dialog box, select **Page Setup** from the **File** menu in your application program.

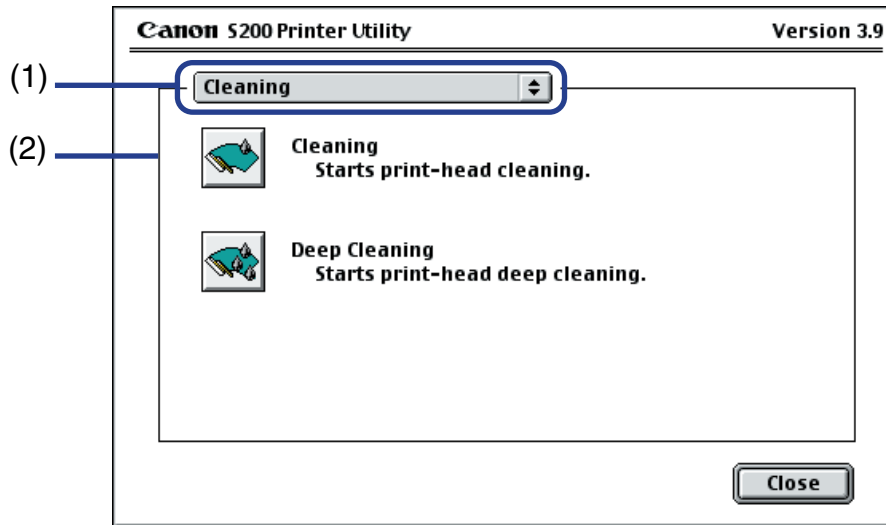


- (1) **Paper Size**  
Select the size of the paper for the print job. To enter the size manually, select **Custom 1 - Custom 3** and click **Custom**.
- (2) **Banner Printing**  
Select this check box when printing on banner paper.

- (3) **Scale**  
Specify the scaling percentage to resize the document for printing.
- (4) **Orientation**  
Select landscape or portrait printing.
- (5) **Custom**  
To specify a custom paper size, click this button to open the **Custom** dialog box after selecting **Custom 1** to **Custom 3** in the **Paper Size** popup menu. The **Custom** Dialog Box allows you to specify the length and width of the paper.
- (6) **Utilities**  
Click to open the **Printer Utility** dialog box for maintenance operations such as print head cleaning and nozzle check pattern printing, as well as for changing the print mode.
- (7) **Save Settings**  
Saves the settings specified in the **Page Setup** dialog box.
- (8) **Preview Area**  
This image allows you to confirm how the document will print with the selected paper settings.

## Printer Utility Dialog Box

The **Printer Utility** dialog box is displayed when you click the **Utilities** button in the **Page Setup** dialog box.



- (1) Select the function you wish to perform.
- (2) Display area showing the various maintenance functions, including cleaning and test pattern printing. Click the icon to start this function. For further details, refer to “Routine Maintenance”.

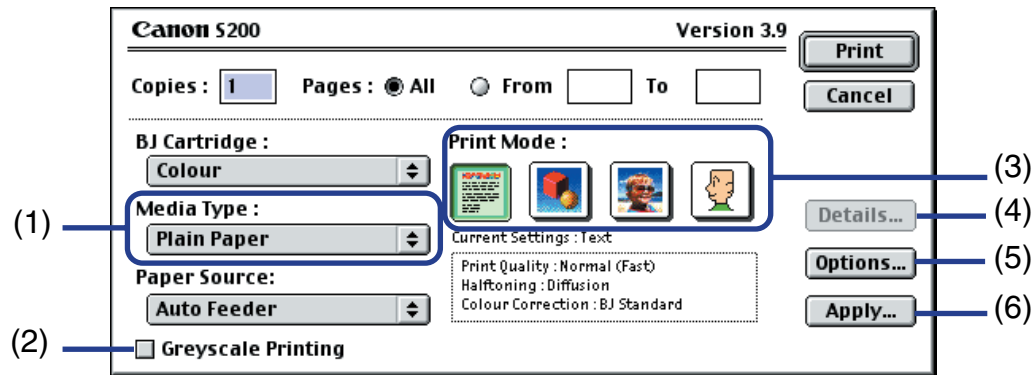
 [Printing the Nozzle Check Pattern](#)

- ➡ Print Head Cleaning
- ➡ Print Head Deep Cleaning
- ➡ Enabling Low Ink Warning
- ➡ Print Head Alignment
- ➡ Setting Ink Drying Wait Time



## Print Dialog Box


The **Print** dialog box specifies the media type and print settings to be used for your print job. To open the **Print** dialog box, select **Print** from the **File** menu in your application program.

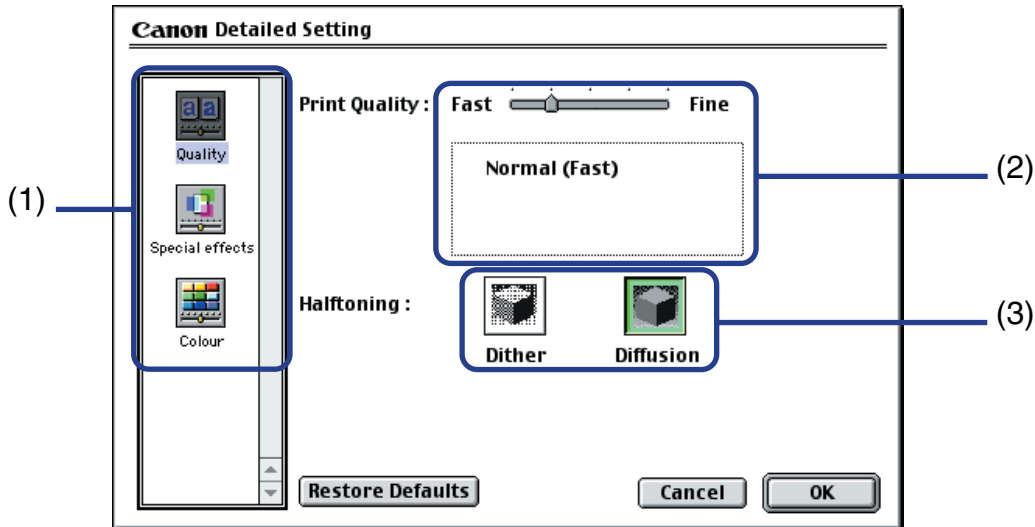


- (1) **Media Type**  
Ensure this setting matches the type of paper media loaded in the printer.
- (2) **Greyscale Printing/Grayscale Printing**  
Select to print a greyscale version of a colour document.
- (3) **Print Mode**  
Select the icon that most closely resembles your document and required print results.

- (4) **Details...**  
Allows you to manually set the print quality and colour settings in the [Detailed Setting Dialog Box](#).
- (5) **Options...**  
Specify the output destination, print order and page layout for the document you are printing.
- (6) **Apply...**  
Allows you to register print settings or to implement a previously registered print setting.

## Detailed Setting Dialog Box

To open the **Detailed Setting** dialog box, select **Manual**  in the **Print** dialog box and then click **Details....**



### ■ Quality panel

- (1) Panel display icons  
Click these icons to switch between panels in the **Detailed Setting** dialog box.

(2) **Print Quality**

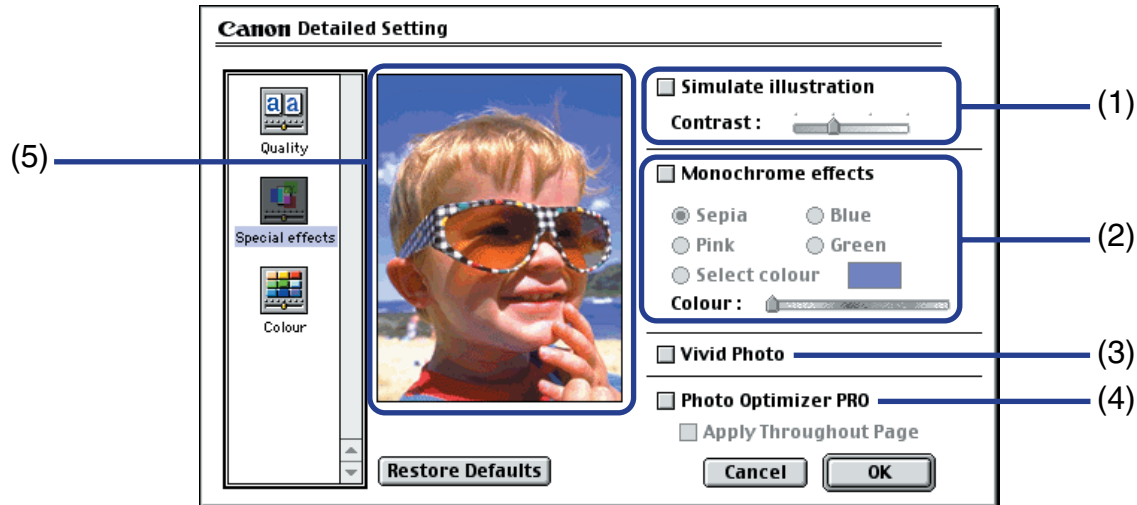
Move the slide bar to adjust the balance between print quality and speed. Moving the bar to the right enhances print quality, and moving it to the left increases printing speed.

(3) **Halftoning**

Select either **Dither** or **Diffusion** ink dot configurations.

## ■ Special Effects Panel

To display the **Special Effects** panel, click the **Special effects** display icon.



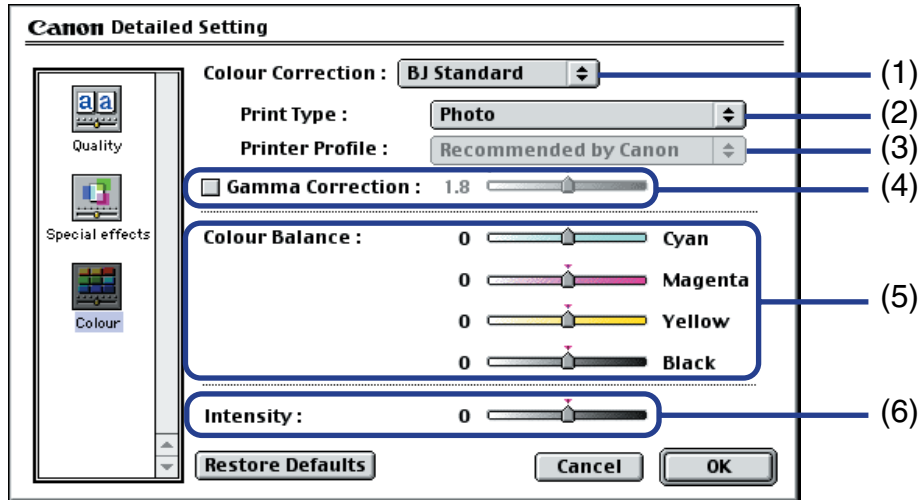
### (1) **Simulate illustration**

This function manipulates colour image with certain effects. Select the check box and adjust the brightness of the image with the **Contrast** slide bar.

- (2) **Monochrome effects**  
Prints a colour image in a single colour. Select the check box and choose a colour or use a custom colour using **Select Colour/Select Color**.
- (3) **Vivid Photo**  
Prints a photo or image data in vivid colour.  
Note that this effect is disabled when you select **ColorSync** as **Colour Correction/Color Correction** on the **Colour Panel/Color Panel**.
- (4) **Photo Optimizer PRO**  
Optimises the colour of images taken from a digital camera or scanner. It is especially effective for images affected by colour imbalance and over- or under exposure.  
When printing several images on one printing page, optimisation is usually applied to each image according to its requirements. However, if the image data has been manipulated using cut and paste, rotation or other such operations, group optimisation of all images on the page is recommended. In such cases, select the **Apply Throughout Page** check box.
- (5) Preview Area

## ■ Colour/Color Panel

To display the **Colour/Color** panel, click the **Colour/Color** display icon.



- (1) **Colour Correction/Color Correction**  
 Select a colour correction method: **BJ Standard**, **ColorSync** or **None**. **BJ Standard** is usually the optimum colour correction method for printing with a BJ printer. When **ColorSync** is selected, you should also specify the **Print Type** and **Printer Profile** settings.

(2) **Print Type**

For printing that emphasises intermediate colours, select **Photo**. For printing that emphasises the brightness of primary colours, select **Graphics**. For documents that contain large amounts of a basic colour, select **Spot Colour/Spot Color**.

(3) **Printer Profile**

Select optimised colour characteristics (a profile) for the media type and other factors.

(4) **Gamma Correction**

This function adjusts the colour contrast (not including pure black and white). To adjust the contrast, select the check box and move the slide bar. Moving the bar to the right darkens the entire image while increasing contrast in the lighter areas and decreasing contrast in the darker areas.

(5) **Colour Balance/Color Balance**

Move the bar for each colour to adjust the balance of colour intensity. Moving the bar to the right intensifies the colour.

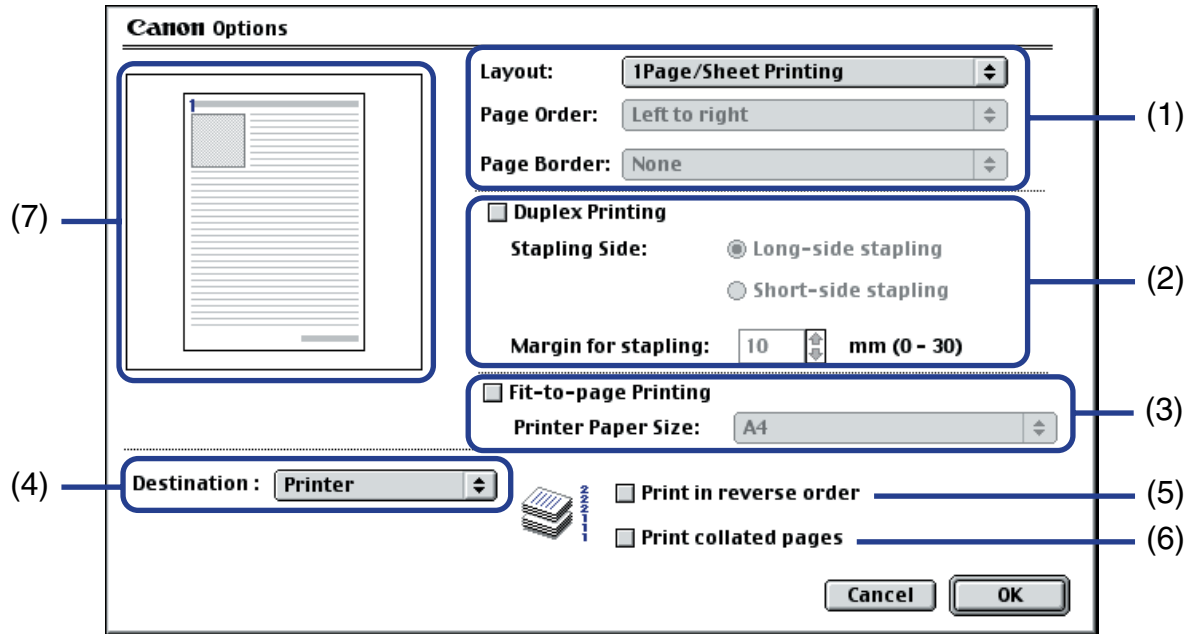
(6) **Intensity**

Move the slide bar to adjust the print density. Moving the bar to the right increases the density.



## Options Dialog Box

To open the **Options** dialog box, click the **Options...** button in the **Print** dialog box.



### (1) Page Layout

Use this function to print more than one page on a single sheet of paper. Typically, this setting is set to display **1 Page/Sheet Printing**. If another option is selected, **Page Order** and **Border** can be specified.

## **2 Page/Sheet Printing/4 Page/Sheet Printing**

Pages are reduced and printed so that two or four pages fit on each printed page. You can also select page order and whether to place a border around each page.

## **Poster (Divided into 4) / (Divided into 9) / (Divided into 16)**

These enlarge and split the print image across several sheets of paper. The printer sheets can then be assembled to make a large poster. You can also select **Cut/Paste lines** and **Cut/Paste string**. To print only the certain pages, click the specific pages on the preview area.

### **(2) Two-sided Printing**

Prints data on both sides of a sheet of paper. Note that when the printer finishes printing data on the front side of paper, it pauses and displays the message. Follow this message to reverse the printed paper, and load it in the printer.

When you select this function, specify which side is to be stapled, longer side or shorter side of a sheet of paper with **Stapling Side**, and the margin for stapling with **Margin for stapling** also. When you are to staple the longer side of paper, be sure to place a sheet of paper lengthwise, and check **Long-side stapling**. When you are to staple the shorter side, place paper widthwise, and check **Short-side stapling**.

### **(3) Fit-to-page Printing**

Executes the scaled printing automatically. When selected, you can specify the **Printer Paper Size**

Fits the document paper size set in the application to the paper size loaded in the printer.

### **(4) Destination**

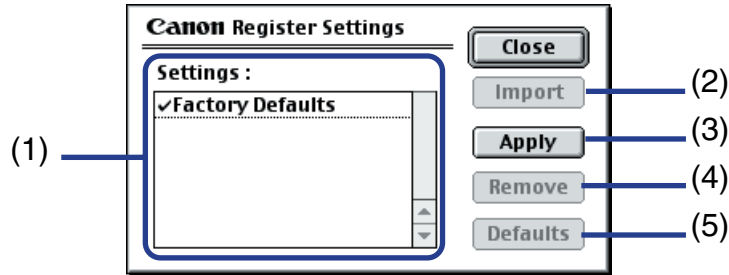
Select the print output destination. **Printer** is the usual selection.

To check the layout or other image elements before printing, select **Preview**. To save the document as a PICT file, select **PICT File**.

- (5) **Print in reverse order**  
Prints the document starting with the last page.
- (6) **Print collated pages**  
Prints multiple copies of the document one copy at a time.
- (7) Preview Area

## Register Settings Dialog Box

To open the **Register Settings** dialog box, click the **Apply...** button in the **Print** dialog box.



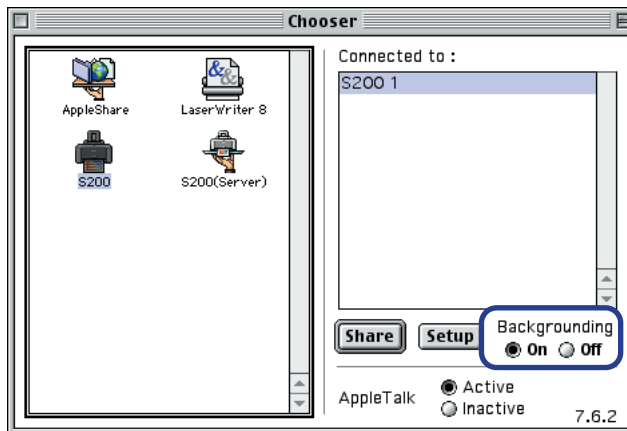
- (1) **Settings**  
Displays a list of the registered print settings.
- (2) **Import**  
Imports a set of print settings. To use the settings, select the desired settings in the **Settings** list and click the **Import** button.
- (3) **Apply**  
Saves the settings currently specified in the **Print** dialog box. After clicking the button, enter the name under which the settings are to be saved.
- (4) **Remove**  
Deletes unwanted print settings. To delete unwanted settings, select the settings in **Settings** and click the **Remove** button.
- (5) **Defaults**  
Restores the print settings selected in **Settings** to defaults. A check mark appears next to the selected print settings.

## BJ Print Monitor

The BJ Print Monitor allows you to check the progress of print jobs. You can launch the BJ Print Monitor if background printing is enabled in the **Chooser** utility.

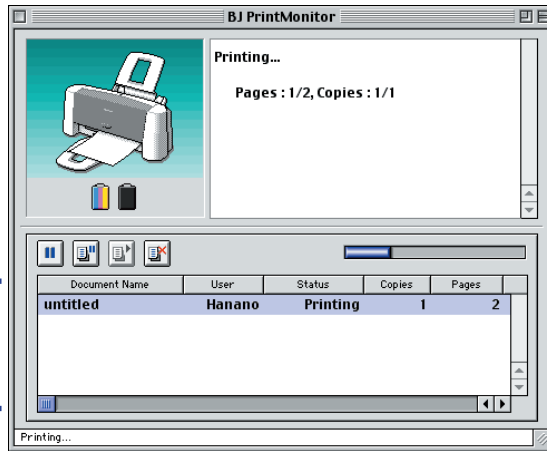
### ■ Opening the BJ Print Monitor


- 1 Select **Chooser** from the Apple Menu.
- 2 Set **Backgrounding** to **On**.





- 3 After starting a print job, select **BJ Print Monitor** in the Application Menu. The BJ Print Monitor launches.

## ■ BJ Print Monitor Functions



 ... Click to pause printing of the specified document.

 ... Click to resume printing.

 ... Click to cancel printing of the specified document.

Shows the progress of the current print job.

Displays information about the documents queued for printing.

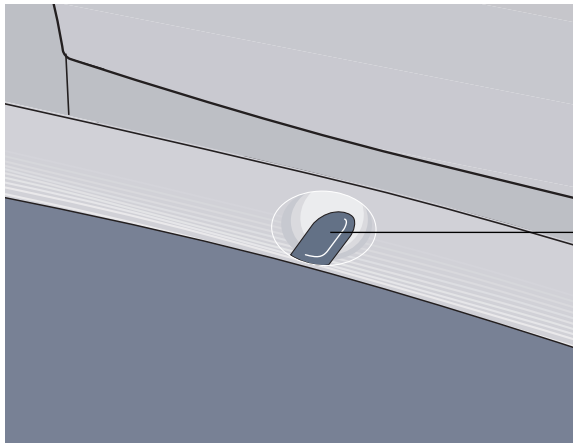
The BJ Print Monitor allows you to change the print order of documents queued for printing. To change the print order, place the mouse pointer over the name of the document, hold the mouse button down while dragging the document name to the new position, then release. When the print order change includes the current job, it stops and the new job immediately starts instead.

## Cancelling a Print Job

---

### ■ Cancelling a print job with the RESUME/CANCEL button of the printer itself

Press the **RESUME/CANCEL** button to terminate the print job.




RESUME/CANCEL button



## ■ Cancelling a print job from the BJ status monitor

When the BJ Print Monitor is running, you can use it to cancel or suspend the current print job.

1 Select **BJ Print Monitor** in the Application Menu.

2 Click the name of the print job you wish to cancel, then click .

The document selected in the Print Monitor is deleted from the print list and the print job is cancelled.

**Note** ➤ To suspend printing, click the name of the document being printed then click . To resume printing, click .



## Using the Printer with a Network

---

The printer can be used with an Ethernet network environment. Follow the steps described below to connect the printer to the network.

### ■ Before Setting up the Printer

Install the printer driver on each network computer that will use the printer. For information on installation, refer to the *Quick Start Guide*.

### ■ Printer Setup

To use the printer on a network, first set up the print server, then set up each client machine.

- Print server setup procedure

- 1 Select **Chooser** in the Apple Menu.
- 2 Select **Active** in **AppleTalk**.
- 3 Select the **S200** icon, then select the printer name in **Connected to:**.

- 4 Click **Share**.
- 5 Confirm that **S200 server** is selected in **Enter new print server name:** then click **Send**.
- 6 Confirm that the new print server name has been added to **Current print servers** then click **Close**.
- 7 Click the close box to close the Chooser.

- Client setup procedure

- 1 Select **Chooser** in the Apple Menu.
- 2 Select **Active** in **AppleTalk**.
- 3 Select the **S200 (Server)** icon, then select the printer server in **Connected to:**
- 4 Click the close box to close the Chooser.

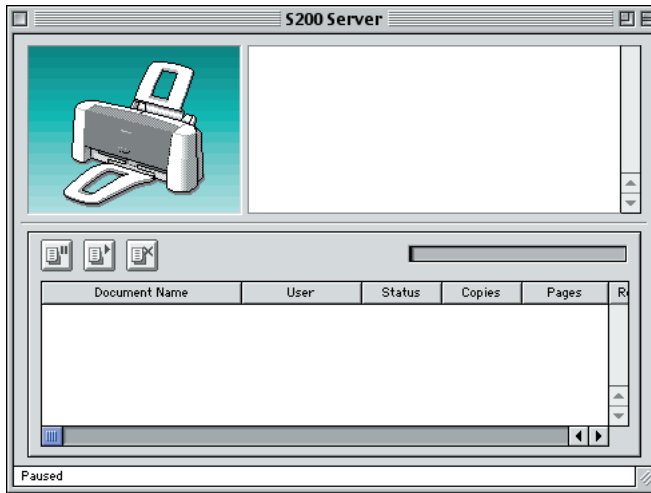
## ■ Checking Print Status




- Checking print status from the print server
  - To check the status of a print job from the print server, start the BJ Print Monitor. Select **BJ Print Monitor** in the Application Menu.
  - To close the BJ Print Monitor, select **Close Status Window** in the **File** menu.
- Checking print status from a client
  - To check the status of a print job from a client, start the BJ Status Monitor. Click the **BJ Status Monitor** icon in the **BJ Extras** folder.
  - To close the BJ Status Monitor, select **Quit** in the **File** menu.
- The BJ Print Monitor and BJ Status Monitor
  - The BJ Print Monitor and the BJ Status Monitor both display a list of information concerning documents queued for printing. This information includes the document name, number of pages, number of copies and the time when the print job was accepted. The total number of queued documents is also displayed.
  - The BJ Print Monitor allows you to change the print order of the queued documents.

 [BJ Print Monitor Functions](#)

 [BJ Status Monitor Functions](#)

## ■ BJ Status Monitor Functions



-  .... Click to pause printing of the specified document.
-  .... Click to resume printing.
-  .... Click to cancel printing of the specified document.

- Note** ▶
- You can determine the owner of a computer by selecting the **File Sharing** control panel and checking the **Owner Name** item.
  - If you are using two or more printer servers, you can switch between the BJ Status Monitor displays. Select **Print Server** in the **File** menu, then select the desired print server and click **OK**.

## Uninstalling Printer Drivers

---

When a printer driver is no longer needed, use the Installer to delete, all the program files associated with it at the same time.

Before proceeding, ensure you save any unsaved files in any currently running applications.

- 1 Load the *Setup Software & User's Guide CD-ROM*.
- 2 Double-click the **Printer Driver** folder.
- 3 Double-click the **Installer** icon.
- 4 When the Software License Agreement is displayed, click **Accept**.
- 5 Select **Uninstall** from the popup menu and then click **Uninstall**.

### Note

- If a warning message appears indicating that other applications are running:
- Click **Cancel** and save the document(s) if there are any unsaved documents open in the other applications.
  - Click **Continue** to continue the uninstall operation.
- 6 After the uninstall is complete, a message appears prompting you to restart your computer. Click **Restart**.

# Routine Maintenance



- When to Replace Ink Tank and Maintain Print Head
- Replacing an Ink Tank
- Printing the Nozzle Check Pattern
- Print Head Cleaning
- Print Head Deep Cleaning
- Print Head Alignment
- Enabling Low Ink Warning
- Setting Ink Drying Wait Time
- Transporting the Printer

## When to Replace Ink Tank and Maintain Print Head

---

When printing becomes faint or colours are incorrect, see if the print head nozzles are clogged and clean them first. Follow the procedures below and replace an ink tank if necessary.

- ➡ Printing the Nozzle Check Pattern
  - ↓ If the print quality is poor
- ➡ Print Head Cleaning
  - ↓ If the problem remains
- ➡ Print Head Deep Cleaning
  - ↓ Still the problem remains
- ➡ Replacing an Ink Tank

If print head cleaning and ink tank replacement do not resolve the problem, the print head may be worn out. Contact a Canon service representative.

**Note** ➤ You will be alerted if you enable a low ink warning.

- ➡ Enabling Low Ink Warning

## Replacing an Ink Tank

---

When replacing an ink tank, check the model number very carefully. The printer will not print properly if the wrong ink tank is used, or installed in the incorrect position.

- Black: BCI-24 Black
- Colour: BCI-24 Color

**Note** ► Damage caused by using a refilled cartridge is not covered by the Canon warranty. Canon recommends using only original Canon ink tanks to ensure the best quality.

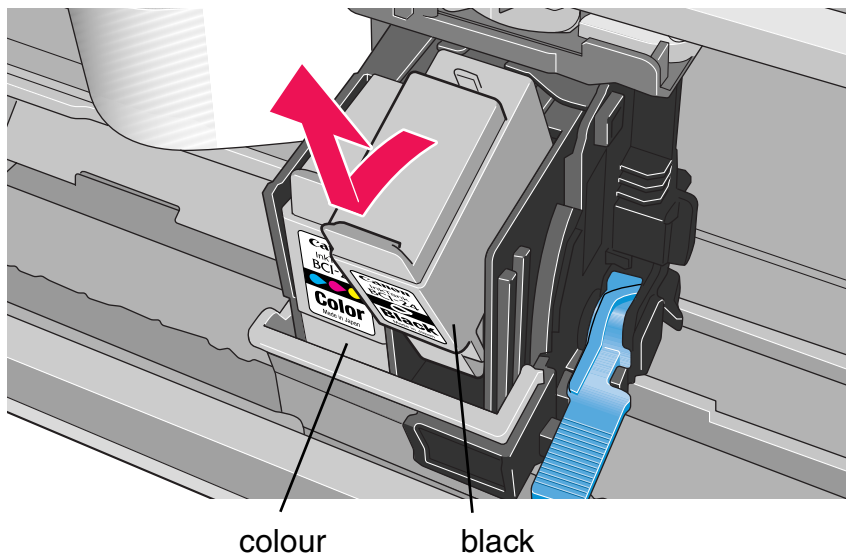
**1** Ensure that the printer is on, and then open the front cover.

The cartridge holder moves to the centre.



## 2 Remove the empty ink tank.

Pull the tab on the ink tank towards you to release.



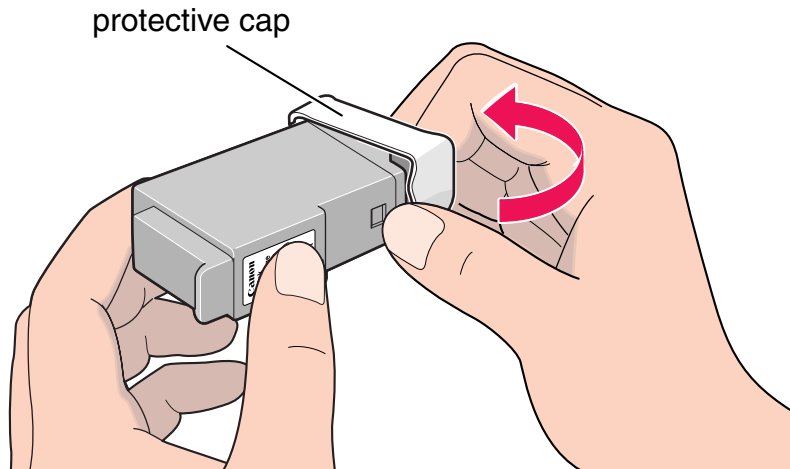
Then lift it from its slot.

Do not touch the lock lever; remove only the ink tank.

### Important ►

- Handle ink tanks carefully to avoid staining clothing or the surrounding area.
- Discard empty ink tanks according to the local laws and regulations regarding disposal of consumables.

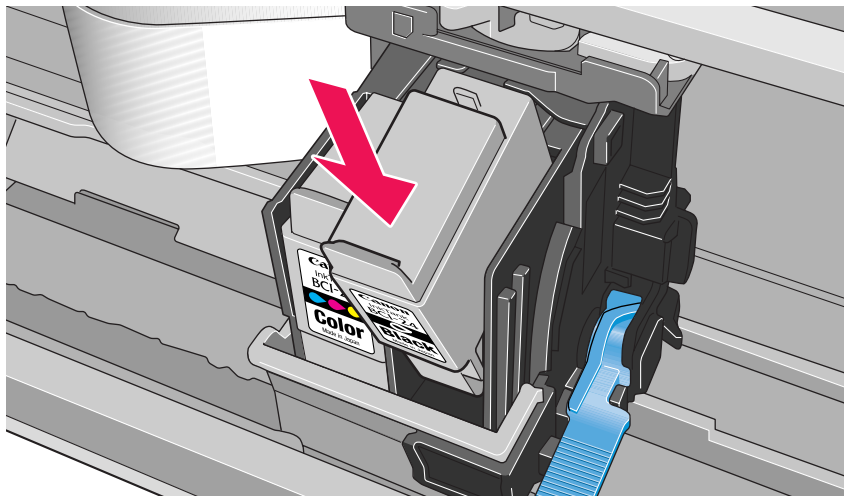
- 3 Unpack a new ink tank and remove the orange protective cap.



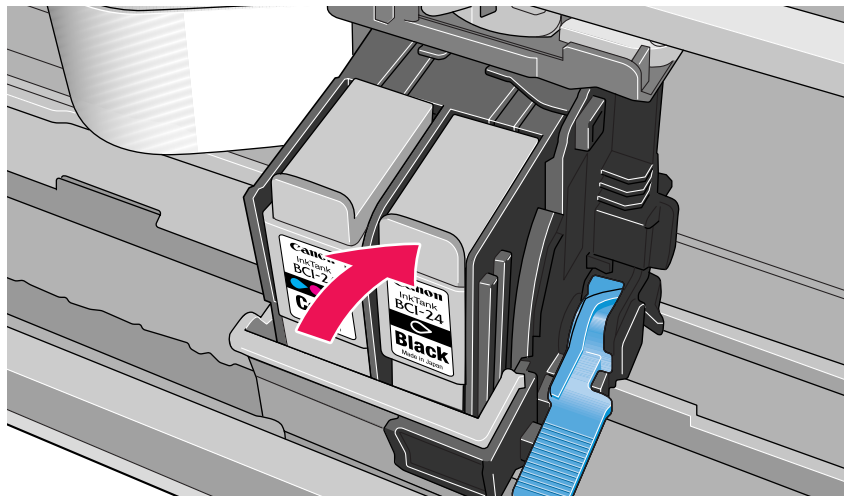
**Important** ▶

- Do not re-attach the protective cap once you have removed it.
- Once you have removed the protective cap, do not touch the open ink port.

- 4 Insert the ink tank into a slot.



- 5 Press on the tab until the ink tank snaps firmly into place.



- 6 Close the front cover.

The cartridge holder moves to the right. The ink tank installation process is now complete.

- Note** ➤
- To maintain optimal print quality, use an ink tank within six months of first use.
  - Once an ink tank has been used, do not remove it from the printer and leave it out in the open. This will cause the ink tank to dry out and the printer may not function properly if it is reinstalled.

## Printing the Nozzle Check Pattern



---

Print the nozzle check pattern to determine whether the ink ejects normally from the print head nozzles, and to verify print head alignment. Use this function when printed results are blurred or the colour is incorrect.

Nozzle check pattern printing can be executed from the Windows and Macintosh printer drivers, or from the printer itself.

### ■ Printing the Nozzle Check Pattern from the Printer Drivers

#### Windows

- 1 With the printer on, load a sheet of A4 or Letter paper in the printer.
- 2 Open the Printer Properties dialog box.  
 [Opening the Printer Properties Dialog Box](#)
- 3 Click the **Maintenance** tab and then click the **Nozzle Check** icon.
- 4 When the confirmation message is displayed, click **OK**.  
 [Examining the Nozzle Check Pattern](#)

## Macintosh

- 1 With the printer on, load a sheet of A4 or Letter paper in the printer.
- 2 Open the Page Setup dialog box.

The Page Setup dialog box can be normally opened by selecting **Page Setup...** in the **File** menu.

- 3 Click the **Utilities** button to open the Printer Utilities dialog box.
- 4 Select **Test Print** from the pull-down menu, and then click the **Nozzle Check** icon.
- 5 When the confirmation message is displayed, click **OK**.

 [Examining the Nozzle Check Pattern](#)

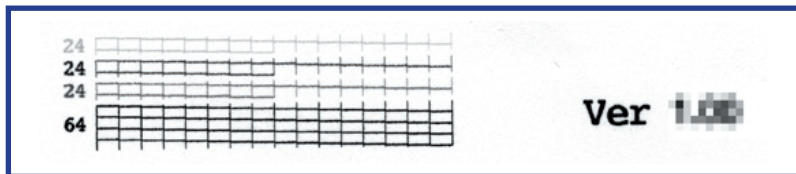
## ■ Printing the Nozzle Check Pattern through the Printer

- 1 With the printer on, load a sheet of A4 or Letter paper in the printer.
- 2 Press the RESUME/CANCEL button twice quickly.

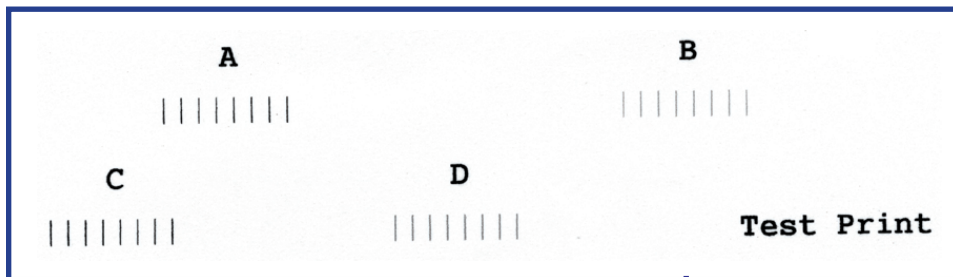
 [Examining the Nozzle Check Pattern](#)

## ■ Examining the Nozzle Check Pattern

The nozzle check pattern should appear as follows when ink is discharged properly. Examine the nozzle check pattern output by the printer.



Lines missing here indicate the print head requires cleaning.



Unevenness in these patterns indicates the print head requires alignment.



# Print Head Cleaning

---

Clean the print head if you suspect that the nozzles might be clogged.

**Note** ➤ Cleaning the head consumes ink, so perform head cleaning only when necessary.

## Windows

- 1 Ensure that the printer is on.
- 2 Open the Printer Properties dialog box.  
➡ [Opening the Printer Properties Dialog Box](#)
- 3 Click the **Maintenance** tab and then click the **Cleaning** icon.
- 4 When a confirmation message is displayed, click **OK**.

Macintosh

- 1 Ensure the printer is on.
- 2 Open the Page Setup dialog box.  
  
The Page Setup dialog box can normally be opened by selecting **Page Setup...** in the **File** menu.
- 3 Click the **Utilities** button to open the Printer Utility dialog box.
- 4 Select **Cleaning** from the pull-down menu, and then click the **Cleaning** icon.

When a confirmation message is displayed, click **OK**.

## Print Head Deep Cleaning

---

If print quality does not improve by standard print head cleaning, try deep cleaning, which is a more powerful process. Perform print head deep cleaning from the printer driver.

**Note** ➤ Print head deep cleaning consumes more ink than standard print head cleaning, so perform this procedure only when necessary.

### Windows

- 1 Ensure the printer is on.
- 2 Open the Printer Properties dialog box.  
➡ [Opening the Printer Properties Dialog Box](#)
- 3 Click the **Maintenance** tab and then click the **Deep Cleaning** icon.
- 4 When the confirmation message is displayed, click **OK**.

## Macintosh

- 1 Ensure the printer is on.
- 2 Open the Page Setup dialog box.  
  
The Page Setup dialog box can normally be opened by selecting **Page Setup...** in the **File** menu.
- 3 Click the **Utilities** button to open the Printer Utility dialog box.
- 4 Select **Cleaning** from the pull-down menu, and then click the **Deep Cleaning** icon.
- 5 Click **OK**.

After print head deep cleaning finishes, print the nozzle check pattern to verify that the head is clean. If not, perform print head deep cleaning once more. If the head is still not clean after the second deep cleaning, the print head may be worn out, even if ink remains in the ink tanks. In this event, contact a Canon service representative.

 [Printing the Nozzle Check Pattern](#)



# Print Head Alignment

---

If the print head is not located at the regulated position, printed ruled lines could be misaligned. In such a case, adjust the print head position.

## ■ Aligning the Print Head

### Windows

- 1 With the printer on, load a sheet of A4 or Letter paper in the printer.
- 2 Open the Printer Properties dialog box.  
 [Opening the Printer Properties Dialog Box](#)
- 3 Click the **Maintenance** tab and then click the **Print Head Alignment** icon.
- 4 When the confirmation message is displayed, click **OK**.  
 [Examining the Print Head Alignment Pattern](#)

## Macintosh

1 With the printer on, load a sheet of A4 or Letter paper in the printer.

2 Open the Page Setup dialog box.

The Page Setup dialog box can be normally opened by selecting **Page Setup...** in the **File** menu.

3 Click the **Utilities** button to open the Printer Utilities dialog box.

4 Select **Test Print** from the pull-down menu, and then click the **Print Head Alignment** icon.

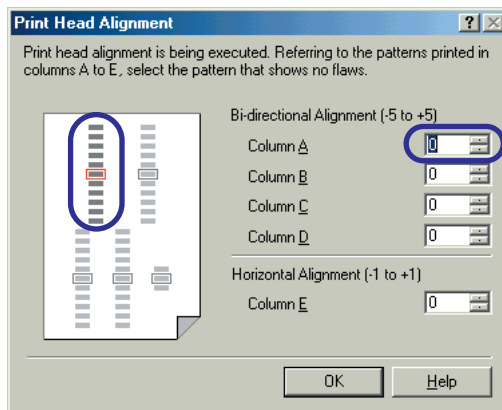
5 When the confirmation message is displayed, click **OK**.

 [Examining the Print Head Alignment Pattern](#)

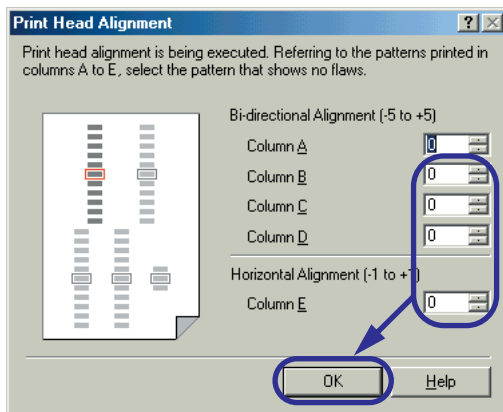
## ■ Examining the Print Head Alignment Pattern

### Windows

- 1 Look at the print-out. From the patterns in Column A, select the most even, least irregular pattern and enter the number.



- 2 In the same way, one by one, select the most even patterns printed with the least irregularities from each of Columns B to E, enter their numbers, and click **OK**.



If it is difficult to pick the best pattern on Column E, pick the setting that produces the least noticeable vertical white stripes.



Less noticeable  
white stripes



More noticeable  
white stripes

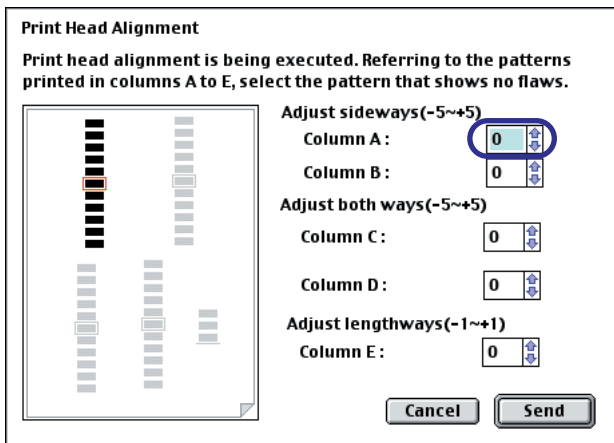
- 3 Click **OK**.

This completes the printer setup. The printer is now ready to use.

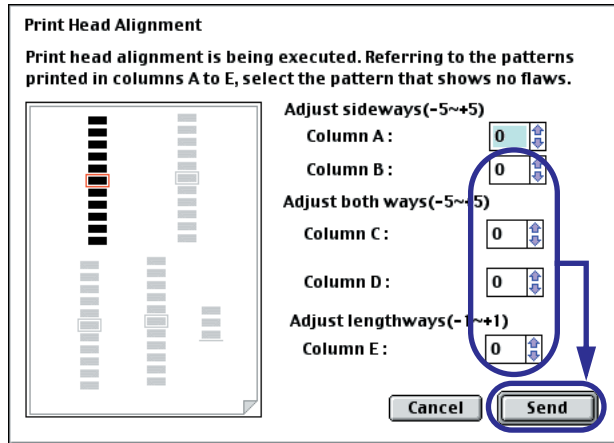


## Macintosh

- 1 Look at the print-out. From the patterns in Column A, select the most even, least irregular pattern and enter the number.



- 2 In the same way, one by one, select the most even patterns printed with the least irregularities from each of Columns B to E, enter their numbers and click **Send**.



If it is difficult to pick the best pattern on Column E, pick the setting that produces the least noticeable vertical white stripes.



Less noticeable  
white stripes



More noticeable  
white stripes

- 3 Click **Close**.
- 4 Click **OK**.

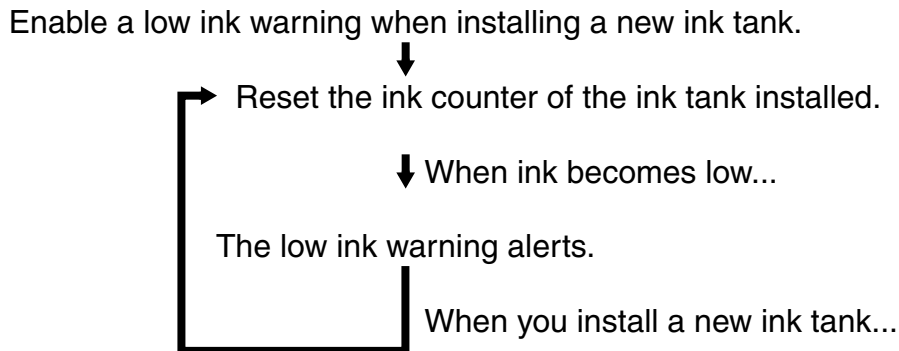
This completes the printer setup. The printer is now ready to use.

## Enabling Low Ink Warning

---

The low ink warning can be enabled/disabled from the printer driver. This notifies you of low ink levels during printing.

### ■ How Low Ink Warning Works

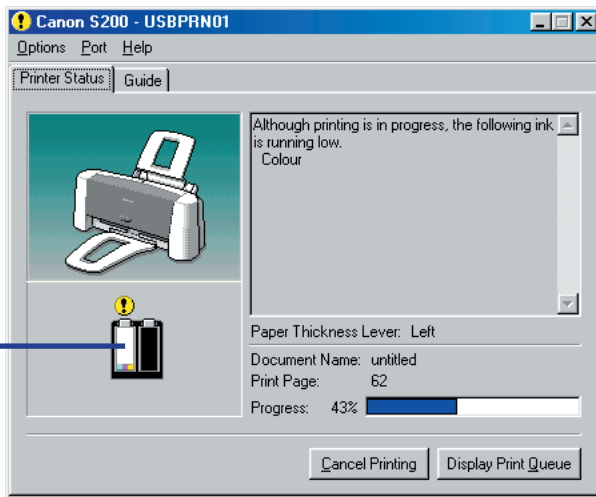


When you reset the ink counter, it will assume the ink tank is full regardless how much ink is actually remains. The reset is the only way to match the counter value with an actual ink volume. Therefore only enable the low ink warning and reset the ink counter when installing a new ink tank.

### ➡ How to Display Low Ink Warning Correctly

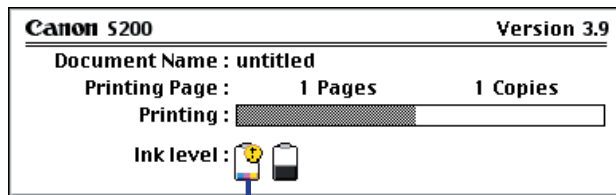
## ■ Low Ink Warning Display

The '!' shows a low ink level in the ink tank.



The colour ink becomes low.

BJ Status Monitor (Windows)



The colour ink becomes low.

BJ Status Dialog (Macintosh)

**Note** ➤ When the background printing is enabled, the low ink warning is displayed on the BJ Print Monitor (Macintosh).

➡ BJ Print Monitor

## ■ How to Display Low Ink Warning Correctly

- Reset the ink counter every time you install a new ink tank  
The ink counter cannot work correctly unless you synchronise it with the actual ink level. The ink counter can only be adjusted when it is reset at the time a new ink tank is installed.
- Do not reset the ink counter of an ink tank in use.  
Synchronisation of the counter and the actual ink level will not work properly.

**Note** ➤

- Although ink counters for black and colour ink tanks work independently from each other, both start simultaneously when you enable the low ink warning. So if you did not reset the counter when you installed the current ink tanks, the low ink warning may not function correctly, until the next time you replace the ink tanks. Also, ensure you treat both counters separately.
- Refer to '[Low Ink Warning Displays Ink Tank with "?"](#)' as it is in the case.

## ■ Setting Low Ink Warning

**Note** ➤ Reset the ink counter every time installing a new ink tank when the low ink warning is enabled. Otherwise the ink levels will not be displayed accurately.

### • Enabling Low Ink Warning

#### Windows

- 1 Ensure the printer is on and open the Printer Properties dialog box.  
➡ [Opening the Printer Properties Dialog Box](#)
- 2 On the **Maintenance** tab, click **Low Ink Warning Setting** icon.
- 3 Select **Display low ink warning** and click **Send**.

#### Macintosh


- 1 Ensure the printer is on and open the Page Setup dialog box.  
The Page Setup dialog box can normally be opened by selecting **Page Setup...** in the **File** menu.
- 2 Click the **Utilities** icon to open the **Printer Utility** dialog box.

- 3 Select **Low Ink Warning** from the pull-down menu and click the **Remaining ink level setting** icon.
- 4 Select **Display low ink warning** and click **Send**.

## • Resetting Ink Counter

**Note** ► Do not reset an ink counter of an ink tank already in use.

### Windows

- 1 Ensure the printer is on and open the Printer Properties dialog box.  
 [Opening the Printer Properties Dialog Box](#)
- 2 On the **Maintenance** tab, click the **Ink Counter Reset** icon.
- 3 Select the ink tank you have just installed and click **Execute**.

### Macintosh

- 1 Ensure the printer is on and open the Page Setup dialog box.  
The Page Setup dialog box can normally be opened by selecting **Page Setup...** in the **File** menu.
- 2 Click the **Utilities** button to open the **Printer Utility** dialog box.

- 3 Select **Remaining ink level setting** from the pull-down menu and click **Ink Counter Reset**.
- 4 Select the ink tank you have just installed and click **Execute**.




# Setting Ink Drying Wait Time

---

When you set the ink dry-up time level, you can specify the printer which printing characteristic is preferred; printing speed or quality.

## ■ How to Set the Ink Drying Wait Time

### Windows

- 1 Ensure the printer is on and open the Printer Properties dialog box.  
 [Opening the Printer Properties Dialog Box](#)
- 2 Click the **Maintenance** tab, click the **Custom Settings** button.
- 3 Click and draw the Ink Drying Wait Time slider to set the ink dry-up time level.
- 4 Click the **Send** button to send this setting to the printer.

The message box appears on the screen. Click **OK**.

## Macintosh

- 1 Ensure the printer is on and open the Page Setup dialog box.  
The Page Setup dialog box can normally be opened by selecting **Page Setup...** in the **File** menu.
- 2 Click the **Utilities** button to open the **Printer Utilities** dialog box.
- 3 Select **Custom Setting** from the pull-down menu, and then click the **Ink Dry setting** icon.
- 4 Click and drag the scroll bar to specify the desired time level: 1, 2 or 3.  
The leftmost level (1) indicates that the printer waits for the shortest time until ink dries up, while the rightmost level (3) indicates that it waits for the longest time.

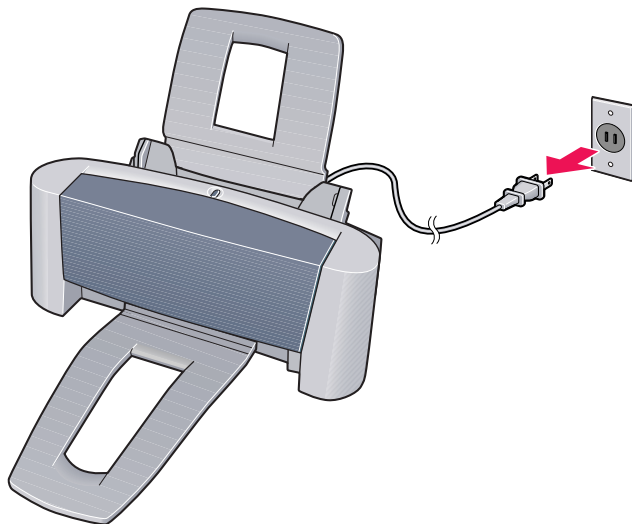
## Transporting the Printer

---

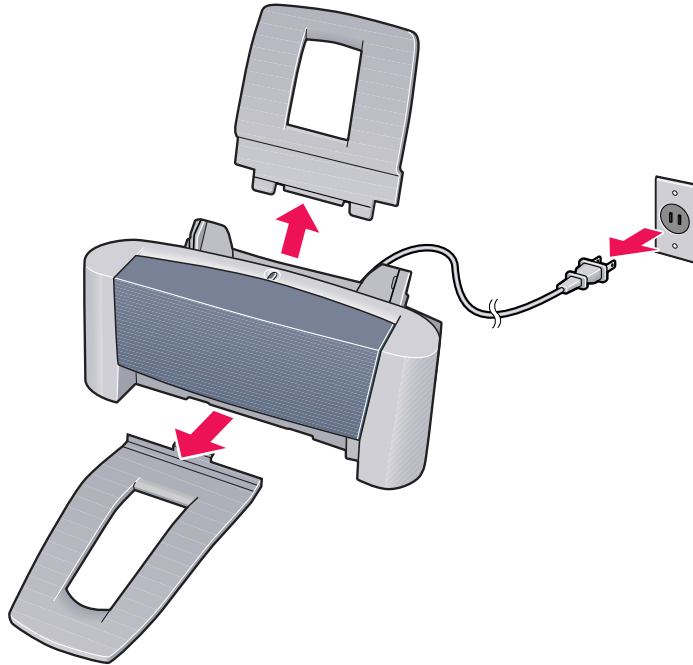
Pack the printer carefully in its original packing materials.

If you do not have the original packing materials, pack the printer carefully and thoroughly in protective material inside of a sturdy box.

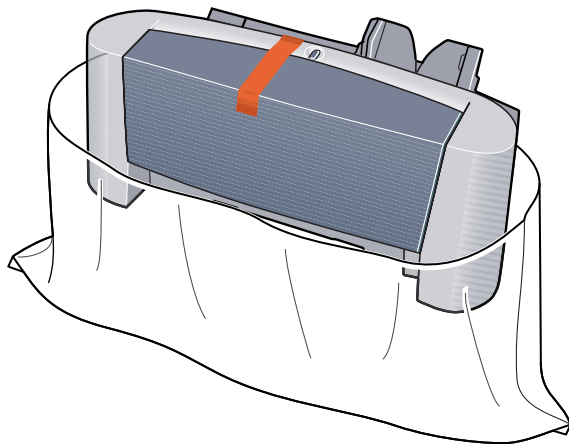
- 1 Unplug the printer.



- 2 Remove the paper rest and the paper output tray.
- 3 Disconnect the printer cable from the computer and from the printer, and then disconnect the power cord from the printer.

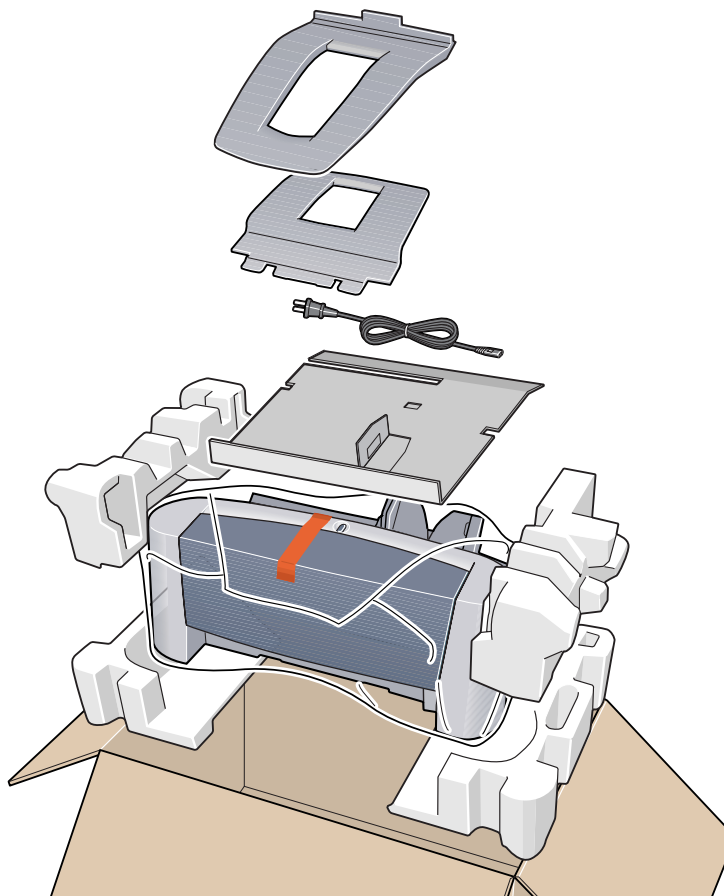


- 4 Secure the printer with adhesive tape as shown, and then pack it in a plastic bag.

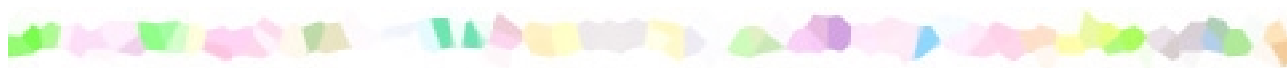


- 5 Attach protective material to both sides of the printer when packing the printer.

Clearly label the box as “Fragile”, if using a transport company.



# Printing Media



- Compatible Media Types
- Envelopes
- High Resolution Paper HR-101N
- Glossy Photo Paper GP-301N/GP-301
- High Gloss Photo Film HG-201
- Glossy Photo Cards FM-101
- Photo Paper Pro PR-101
- Photo Paper Pro PC-101S
- Transparencies CF-102
- T-Shirt Transfers TR-201
- Banner Paper

## Compatible Media Types

---

You can use the following types of paper and other media.

### ■ Size

- Standard paper: From A5 size (148.0 x 210.0 mm / 5.83 x 8.27 in) to legal size (215.9 x 355.6 mm / 8.5 x 14.0 in)
- Non-standard paper: From 100.0 x 100.0 mm to 241.3 x 584.2 mm (From 3.94 x 3.94 in to 9.5 x 23.0 in)
- Others: Envelopes (European DL and US Com. #10)

**Important** ► Do not use the following types of paper. Using such paper will not only produce unsatisfactory results, but can also cause the printer to jam or malfunction.

- Folded, curled or wrinkled paper
- Wet paper
- Paper that is too thin (less than 64 g/m<sup>2</sup> / 17 lb)
- Paper that is too thick (more than 105 g/m<sup>2</sup> / 28 lb)
- Picture postcards
- Postcards with an affixed photo or sticker
- Envelopes with a double flap
- Sealed envelopes
- Envelopes with an embossed or treated surface
- Paper with holes (such as loose-leaf paper)



## ■ Weight

64 to 105 g/m<sup>2</sup> (17 to 28 lb)

Do not use paper heavier than this, as it could jam in the printer.

## ■ Types

The following types of media can be used.

For more information about the media and the printing methods, refer to the specific sections.

Plain paper: Refer to the *Quick Start Guide*.

- ➡ Envelopes
- ➡ High Resolution Paper HR-101N
- ➡ Glossy Photo Paper GP-301N/GP-301
- ➡ High Gloss Photo Film HG-201
- ➡ Glossy Photo Cards FM-101
- ➡ Photo Paper Pro PR-101
- ➡ Photo Paper Pro PC-101S
- ➡ Transparencies CF-102
- ➡ T-Shirt Transfers TR-201
- ➡ Banner Paper

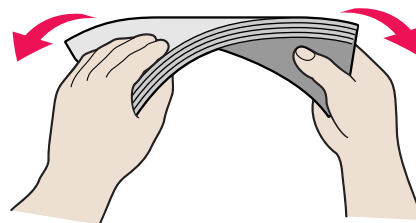
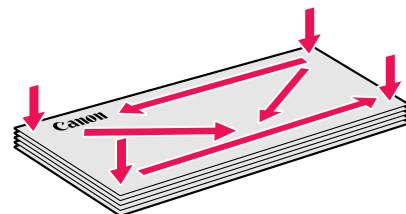
# Envelopes

---

Use either European DL or US Com. #10 size envelopes.

## ■ Preparation for Printing

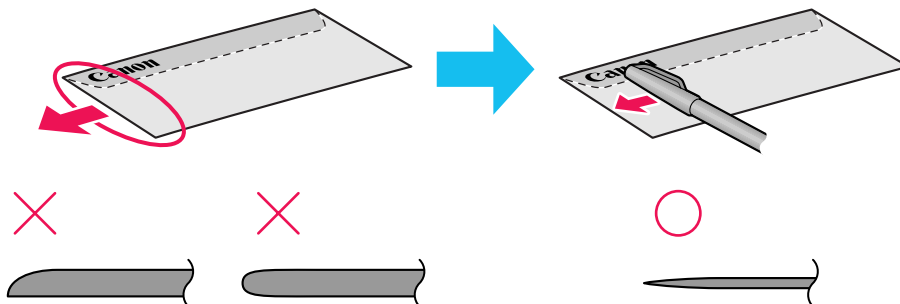
- 1** Press down on all four corners and edges of the envelopes to flatten them as shown below.
- 2** If the envelopes are curled, hold the opposite corners and gently bend them in the opposite direction.



Ensure that the flap of the envelope is perfectly straight.

- 3 If the leading edge of an envelope is puffed up or curled, use a pen to press the envelope flat and sharpen the crease.

Press the envelope completely flat, working from the middle to the edge.



\* The above illustrations show a side view of the leading edge of the envelope.

The envelopes may jam in the printer if they are not completely flat and the edges are not aligned.

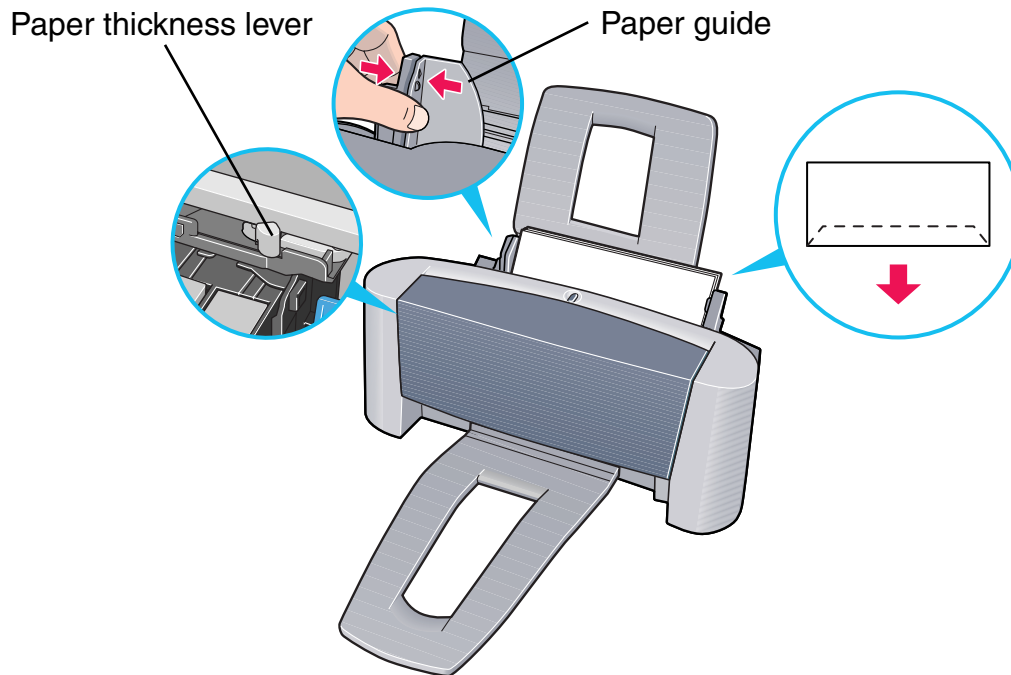
Ensure that no curl or puff exceeds 3 mm (0.1 in).

## ■ Unsuitable Envelopes

- Envelopes with an embossed or treated surface
- Envelopes with a double flap or pressure seals

## ■ Loading

- Place envelopes lengthwise with the flap to the left and the address side facing upwards.
- Set the paper thickness lever to the right.
- Up to 5 envelopes can be loaded at once.



## ■ Printer Driver Settings

- **Media Type:** Envelope
- **Page Size:** Select either **DL Env.** or **#10 Env.** according to the envelope size you are using
- **Orientation:** Portrait

## ■ Handling of Printed Output

Remove each envelope as it is printed.

## ■ Printable Area

 Printing Area

## High Resolution Paper HR-101N

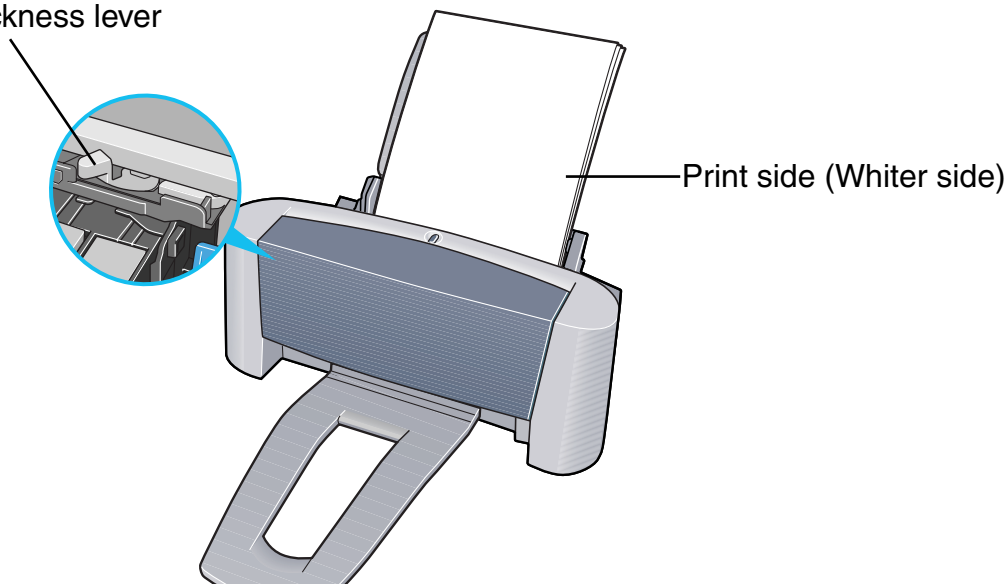
---

This type of paper provides better colour reproduction than plain paper. It is suitable for printing business documents that feature graphics, and for photographs.

### ■ Loading

- Load the paper with the whiter side facing up.
- Set the paper thickness lever to the left.
- Do not load paper higher than the limit mark. A maximum of 40 sheets can be loaded.

Paper thickness lever



## ■ Printer Driver Settings

- **Media Type:** High Resolution Paper
- **Page Size:** Ensure the setting matches the size set in the application.

## ■ Handling of Printed Output

Do not stack more than 20 sheets in the paper output tray. If the output paper is curled, it may prevent the next sheet being ejected. In this case, or if the ink takes a long time to dry, remove each sheet as soon as it is printed.

## ■ Printable Area

 Printing Area

## Glossy Photo Paper GP-301N/GP-301

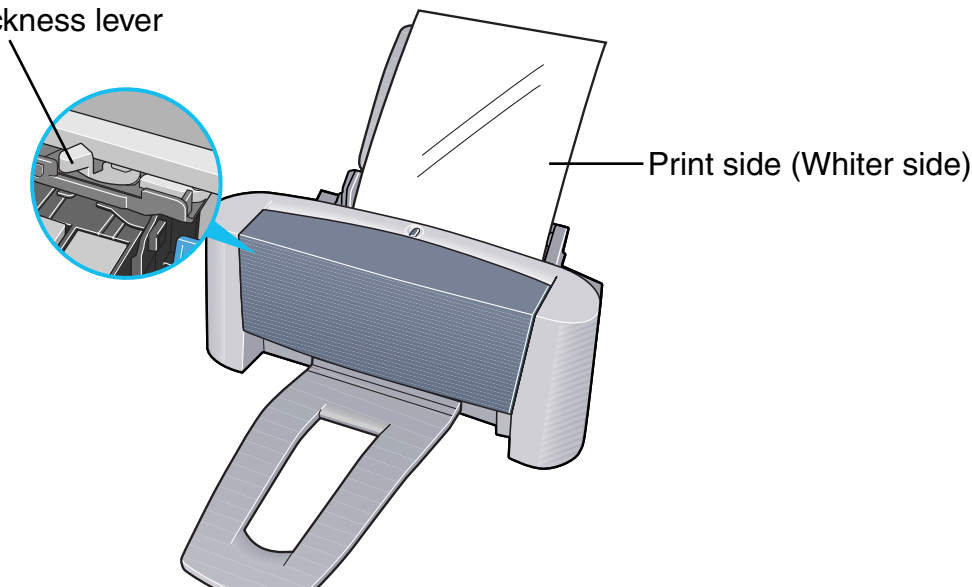
---

This media is still thicker than High Resolution Paper with a glossy printing surface to produce print-outs close to photograph quality.

### ■ Loading

- Load the paper with the whiter side facing up.
- Set the paper thickness lever to the left.
- Load only one sheet at a time.

Paper thickness lever





**Note** ➤ When printing on Glossy Photo Paper GP-301, do not use any loading support sheet.

## ■ Printer Driver Settings

- **Media Type:** Glossy Photo Paper
- **Page Size:** Ensure the setting matches the size set in the application.

## ■ Handling of Printed Output

- Remove each sheet as soon as it is printed.
- Do not touch the printed surface until the ink dries (approx. two minutes).

## ■ Printable Area

➡ Printing Area

## High Gloss Photo Film HG-201

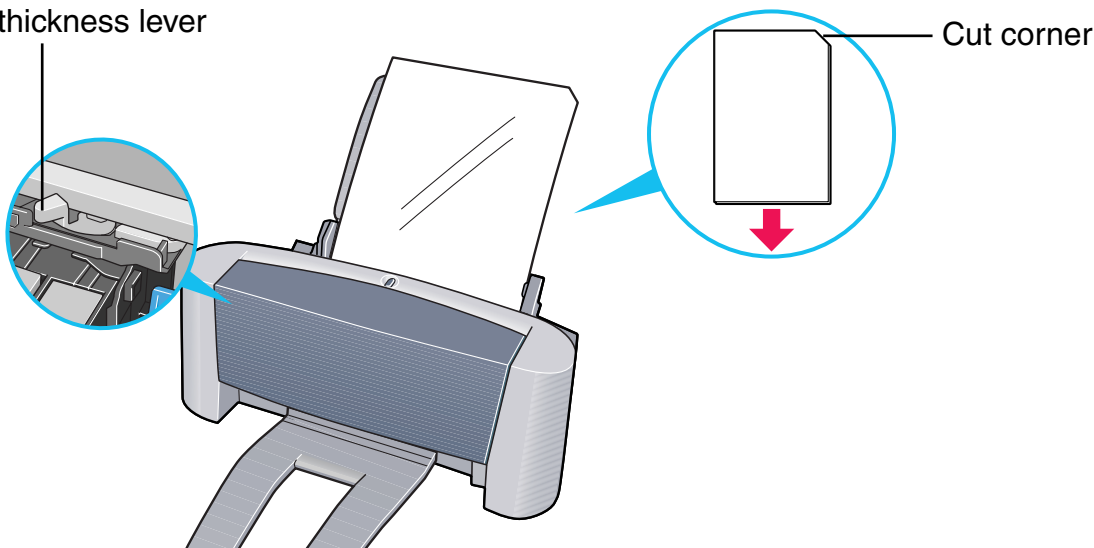
---

This film has an extremely glossy surface, ideal for printing photographs with outstanding results.

### ■ Loading

- Load only one sheet at a time.
- Load the film with the cut corner at the upper right.
- If the film is curled, flatten it by curling in the opposite direction.
- Set the paper thickness lever to the left.

Paper thickness lever



## ■ Printer Driver Settings

- **Media Type:** High Gloss Photo Film
- **Page Size:** Ensure the setting matches the size set in the application.

## ■ Handling of Printed Output

- Remove each sheet as soon as it is printed.
- Do not touch the printed surface until the ink dries.

## ■ Printable Area

 Printing Area

## Glossy Photo Cards FM-101

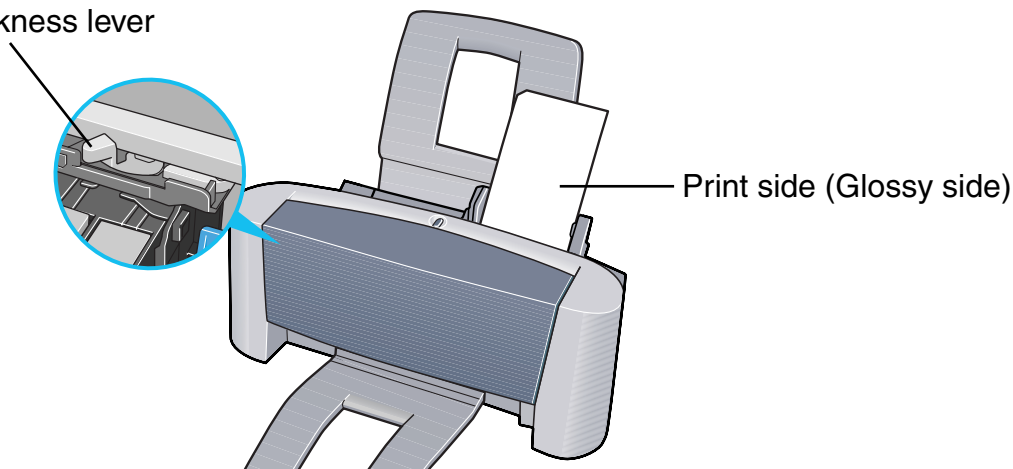
---

Made of the same material as Glossy Photo Paper GP-301, this photo-size paper is intended for printing images that cover the entire surface of the card, without a white border. To take full advantage of FM-101, make the images slightly larger than the area indicated by the perforations.

### ■ Loading

- Load the paper with the glossy side facing up.
- Set the paper thickness lever to the left.
- Load only one sheet at a time.
- Do not use the loading support sheet provided with the package.

Paper thickness lever



## ■ Printer Driver Settings

- **Media Type:** Glossy Photo Paper
- **Page Size:** Select custom size and enter 119.6 x 215.9 mm (4.7 x 8.5 in).

## ■ Applications Settings

Enter 109.6 x 160.4 mm (4.31 x 6.31 in) in Image Size.

For details on how to specify the image size, refer to the applications user manual.  
You may not be able to specify the size of the image correctly in some applications.

## ■ Handling of Printed Output

- Remove each card as soon as it is printed.
- Do not touch the printed surface until the ink dries (approx. two minutes).

## ■ Printable Area

 Printing Area

## Photo Paper Pro PR-101

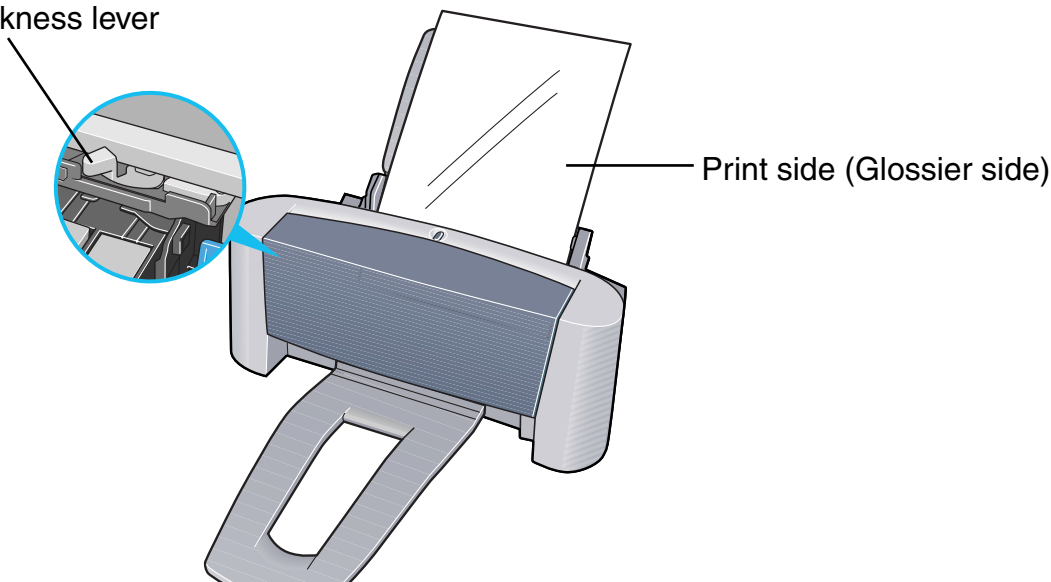
---

This is thick paper with a treated surface that enhances gloss and provides superior colour reproduction. It is ideal for printing high quality photographs.

### ■ Loading

- Load only one sheet at a time.
- Load the paper with the glossier side facing up.
- Set the paper thickness lever to the left.

Paper thickness lever



## ■ Printer Driver Settings

- **MediaType:** Photo Paper Pro
- **Page Size:** Ensure the setting matches the size set in the application.

## ■ Handling of Printed Output

- Remove each sheet as soon as it is printed.
- Do not touch the printed surface until the ink dries (approx. 30 minutes). Colours in dark images may appear indistinct at first, but become clearer after about 30 minutes.
- Images may smudge if you place them in an album before the ink is completely dry. It is recommended that you allow the ink to dry for 24 hours.
- Do not attempt to dry the ink with a hair dryer or by exposing printed sheets to direct sunlight.

## ■ Storing Printed Output

- Do not store or display printouts in hot, damp or humid conditions. Never expose them to heat or direct sunlight.
- Store printouts in photo albums, photo frames or presentation binders to protect them from direct exposure to air or sunlight.
- Do not mount printouts in an adhesive-type album, as you may not be able to remove them.
- Be aware that some types of clear plastic folders and albums may cause the edges of the paper to turn yellow.

## ■ Printable Area



## Photo Paper Pro PC-101S

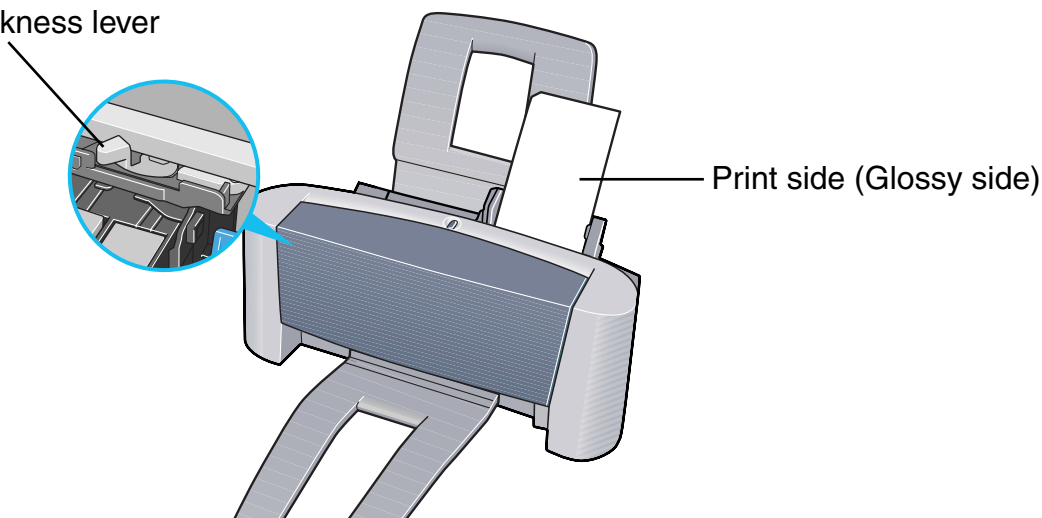
---

Made of the same material as Photo Paper Pro PR-101, this photo-size paper is intended for printing images that cover the entire surface of the card, without a white border. To take full advantage of PC-101S, make the images slightly larger than the area indicated by the perforations. This paper is ideal for printing high quality photographs.

### ■ Loading

- Load the paper with the glossy side facing up.
- Set the paper thickness lever to the left.
- Load only one sheet at a time.

Paper thickness lever





## ■ Printer Driver Settings

- **Media Type:** Photo Paper Pro
- **Page Size:** Select **Custom Size** and enter 118.6 x 215.9mm (4.67 x 8.5 in).

## ■ Applications Settings

Enter 109.6 x 160.4mm (4.31 x 6.31 in) in **Image Size**.

For details on how to specify the image size, refer to the application's user manual. You may not be able to specify the size of the image correctly in some applications.

## ■ Handling of Printed Output

Follow the instructions described in “[Photo Paper Pro PR-101](#)”.

## ■ Printable Area

 Printing Area

## Transparencies CF-102

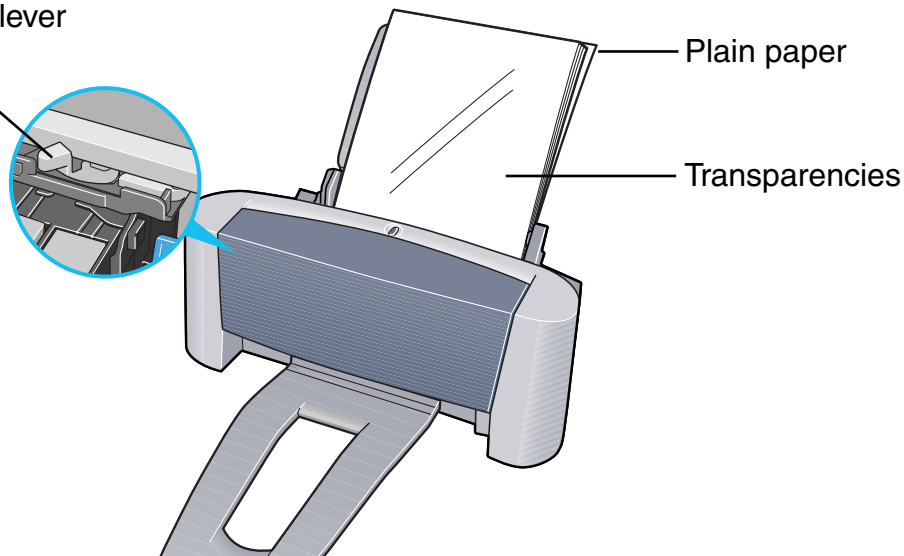
---

This film is ideal for printing presentation material for use with overhead projectors.

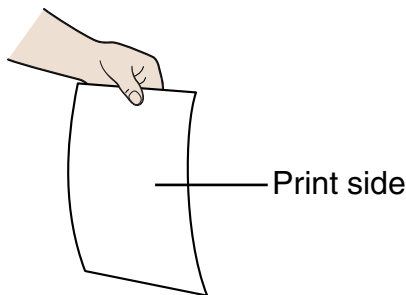
### ■ Loading

- Place one sheet of plain A4 or Letter paper under the transparencies in the sheet feeder.
- Set the paper thickness lever to the left.
- A maximum of 20 sheets can be loaded at once.

Paper thickness lever



- Although you can print on either side of CF-102, best results can be obtained by printing on the side toward which it curls when held by the edge.



## ■ Printer Driver Settings

- **Media Type:** Transparency
- **Page Size:** Ensure the setting matches the size set in the application.

## ■ Handling of Printed Output

- Remove each transparency as soon as it is printed.
- Do not touch the printed surface until the ink dries (approx. 15 minutes).

## ■ Printable Area



## T-Shirt Transfers TR-201

---

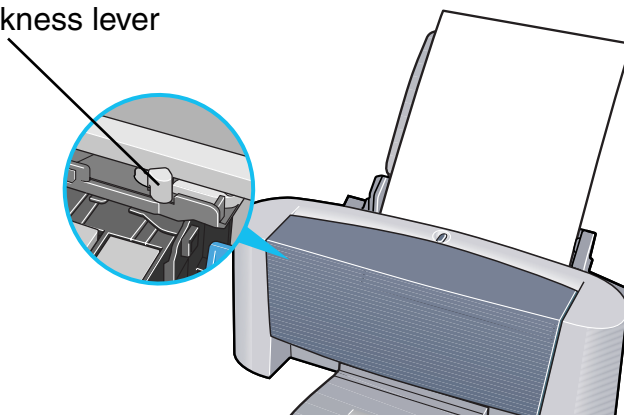
This paper is used to produce iron-on transfers. The image is printed backwards when **Media Type** is set to T-Shirt Transfer in the printer driver.

**Note** ► For the customers in the United States, refer to the *Quick Start Guide* for instructions on using TR-101 T-shirt transfers.

### ■ Loading

- Load only one sheet at a time.
- If the T-shirt transfer is curled, flatten it by curling it in the opposite direction.
- Load the paper with the side that does not have green lines facing up.
- Set the paper thickness lever to the right.

Paper thickness lever



## ■ Printer Driver Settings

- **Media Type:** T-Shirt Transfer
- **Page Size:** Ensure the setting matches the size set in the application.

## ■ Handling of Printed Output

- Remove each T-shirt transfer as soon as it is printed.
- The T-shirt transfer should be used as soon as possible. Refer to the supplied instructions for details on how to use the paper.

## ■ Printable Area

 Printing Area

# Banner Paper

---

This is long paper that consists of consecutive sheets of A4 or Letter size paper, ideal for printing long posters or banners (up to six sheets long).

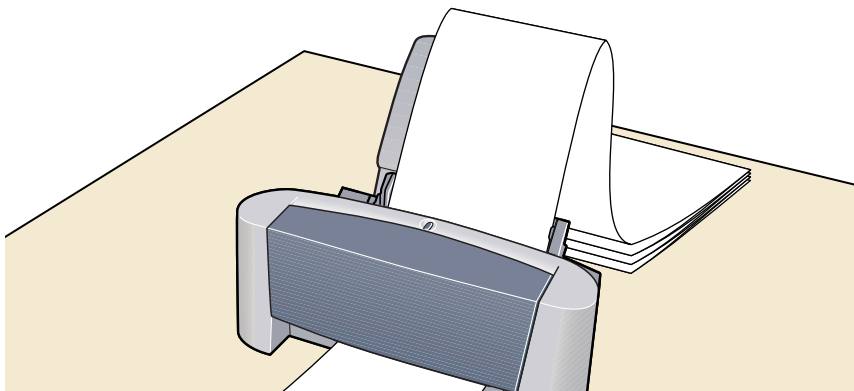
## ■ Preparation for Printing

- When tearing the banner paper, tear off one more sheet than you actually need to print.
- The maximum length for one print job is six sheets, so if you will be printing on six sheets, tear off a seven-sheet length.

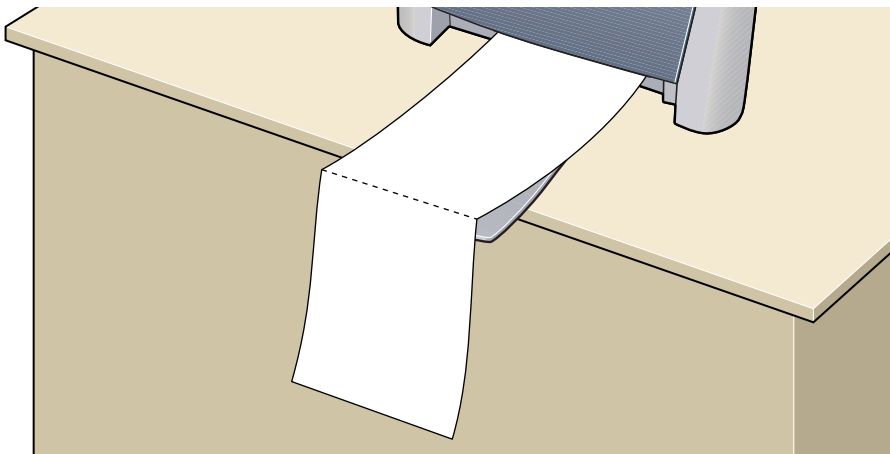
## ■ Loading

- 1** Set the Paper Thickness Lever to the right.
- 2** Load the banner paper with the printing side facing up. Gently fold the perforation between the first and second sheets.

Leave the rest of the paper folded up.



- 3 Place the printer where the printed banner output can hang over the edge of the table.



Ensure the ink does not stain the table or floor.

## ■ Printer Driver Settings

- **Media Type:** Plain Paper
- **Page Size:** When using A4 banner paper: A4  
When using letter size banner paper: Letter
- **Printing Type:** Banner Printing  
On a Macintosh, before creating the document, select **Banner Printing** in the **Page Setup** dialog box.
- **Copies:** Must be set to “1” to print correctly.

## ■ Printable Area

 Printing Area



# Troubleshooting



- Cannot Install the Printer Driver
- Print Quality is Poor or Contains Errors
- Printer Does Not Start or Stops During Print Jobs
- Paper Does Not Feed Properly or Paper Jams
- An Error Message is Displayed on the Screen
- Low Ink Warning Displays Ink Tank with '?'
- Problems Unique to Windows Windows
- Problems Unique to the Macintosh Macintosh

## Cannot Install the Printer Driver


---

### ■ Follow the installation procedure correctly.

Install the printer driver carefully following the procedures described in the *Quick Start Guide*.

If the printer driver was not installed correctly, reinstall it. If you are using Windows, delete the printer driver before reinstalling it.

 [Uninstalling Printer Drivers](#)

**Note**  If the Installer was forcibly terminated due to an error in Windows, Windows may be unstable and this will prevent the printer driver from being installed. Restart the computer before reinstalling the printer driver.

### ■ Close any other applications before installation.

Sometimes the printer driver cannot be installed because another application is running.

- If the Installer for the printer driver does not start up automatically when you insert the *Setup Software & User's Guide CD-ROM*, open the My Computer window, and then double-click the CD-ROM icon.

Windows

- Note** ➤ If you are typing in the file name, you must specify the CD-ROM drive letter and the installation program ("MSetup.exe"). The CD-ROM drive letter is computer dependent.

- Confirm that there are no problems with the *Setup Software & User's Guide CD-ROM*.

In Windows, use Explorer to ensure that the CD-ROM can be read. In a Macintosh, check that the CD-ROM icon is visible. If there is a problem with the CD-ROM, contact a Canon service representative.

## Print Quality is Poor or Contains Errors

---

- Cannot Print to End of Job
- Colours are Unclear
- Meaningless Characters or Symbols are Printed
- Printing is Blurred/Colours are Wrong
- Straight Lines are Misaligned
- Printed Paper Curls or Ink Blots
- Back of Paper is Smudged
- Printed Surface is Scratched
- White Streaks
- Colours are Uneven or Streaked

## Cannot Print to End of Job

---

- **Confirm the Page Size setting matches the size of the paper loaded in the printer.**

First, check the Page Size setting in the application.

Then check the **Page Size** setting in the Printer Properties dialog box for Windows or the Page Setup dialog box for Macintosh.

- **Check the amount of the free space on the hard disk.**

You may need to increase the amount of free space by deleting any unnecessary files.

## Colours are Unclear

---

- **Confirm the Media Type setting in the printer driver matches the type of paper loaded in the printer.**

If you are printing a photograph or an illustration from a Windows environment, also increase **Print Quality** on the **Main** tab.

If you are working in a Macintosh environment, select the **Photo** or **Graphic** icon for the **Print Mode** in the Print dialog box.

- **Confirm the specified ink tank is installed.**

When an ink tank runs out of ink, replace it with a new one.

**Note**   ▶ Printed colours may not match screen colours perfectly due to basic differences in the methods used to produce colours. Colour control settings and environmental differences can also affect how colours appear on the screen.

## Meaningless Characters or Symbols are Printed

---

- **If the problem only occurs when printing a specific document, try editing the document and then printing it.**

If this does not resolve the problem, there may be a problem with your application program.

## Printing is Blurred/Colours are Wrong

---

### ■ Print the nozzle check pattern to ensure that ink is output correctly.

If the nozzle check pattern does not print correctly, clean the print head.

➡ [Printing the Nozzle Check Pattern](#)

➡ [Print Head Cleaning](#)

If the problem is not resolved after cleaning the print head several times, replace either of ink tanks. If print quality still remains poor, the print head may be worn out. Contact a Canon service representative.

**Note** ➤ Always ensure you dispose of the protective cap from a print head.

### ■ Ensure you are printing on the correct side of the media.

You can only print on one side of certain media.




# Straight Lines are Misaligned

---

## ■ Align the print head.

### Windows

- 1 Open the Printer Properties dialog box.  
 [Opening the Printer Properties Dialog Box](#)
- 2 Click the **Maintenance** tab.
- 3 Click **Print Head Alignment**.  
Follow the instructions on the screen.

## Macintosh

- 1 Open the Page Setup dialog box.  
The Page Setup dialog box can normally be opened by selecting **Page Setup...** in the **File** menu.
- 2 Click the **Utilities** button.
- 3 Select **Test Print** from the pull-down menu, and then click **Print Head Alignment**.

Follow the instructions on the screen.

**Note** ➤ Straight lines can become misaligned if the paper thickness lever has been moved. Aligning the print head may also resolve this problem.

■ In the printer driver settings, select a higher print quality setting.

Windows

- 1 Open the Printer Properties dialog box.  
 [Opening the Printer Properties Dialog Box](#)
- 2 On the **Main** tab, click **High** for the **Print Quality** setting.

Macintosh


- 1 Open the Print dialog box.  
The Print dialog box can normally be opened by selecting **Print** in the **File** menu.
- 2 For **Print Mode**, select **Manual** and then click **Details**.
- 3 Click the **Quality** icon and then drag the **Print Quality** slide bar to the **Fine** end.

## Printed Paper Curls or Ink Blots

---

- Use high resolution paper or photo paper to print images that require a lot of ink, (i.e. pictures with intense colours or photographs).
- Reduce the Intensity setting in the printer driver and try printing again.

### Windows

- 1 Open the Printer Properties dialog box.  
 [Opening the Printer Properties Dialog Box](#)
- 2 On the **Main** tab, select **Manual** for **Colour Adjustment/Color Adjustment**, and then click **Set**.
- 3 Drag the **Intensity** slide bar to adjust the intensity.

## Macintosh

- 1** Open the Print dialog box.  
The Print dialog box can normally be opened by selecting **Print** in the **File** menu.
- 2** For **Print Mode**, select **Manual** and then click **Details**.
- 3** Click the **Colour/Color** icon and then drag the **Intensity** slide bar to set the intensity.


## Back of Paper is Smudged

---

- If the next page prints before the ink is dry, click and draw the **Ink Dry-Up Time slider** to the rightmost position.

You can either remove each printed sheet from the output tray as soon as it is printed, or click and draw the **Ink Dry-Up Time slider** to the rightmost position to cause the printer to pause after each sheet has printed.

### Windows

- 1 Open the Printer Properties dialog box.  
 [Opening the Printer Properties Dialog Box](#)
- 2 Click the **Maintenance** tab.
- 3 Click **Custom Settings** to open the Custom Setting dialog box.
- 4 Click and draw the **Ink Dry-Up Time slider** to the rightmost position, and then click **Send**.

## Macintosh

- 1 Open the Page Setup dialog box.

The Page Setup dialog box can normally be opened by selecting **Page Setup...** in the **File** menu.

- 2 Click the **Utilities** button.

- 3 Select **Custom Settings** from the pull-down menu.

- 4 Select **Pause between pages.**, and then click **Send**.

## Printed Surface is Scratched

---

### ■ Ensure you are using suitable paper.

- The paper weight must be less than 105 g/m<sup>2</sup> (28 lb).

If you use paper heavier than 105 g/m<sup>2</sup> (28 lb), the print head may scratch the printed surface.

Clean the print head first and print with the correct paper.

- The paper must not be curled.

This problem can be resolved by simply turning the paper over.

### ■ When printing on thick paper, set the paper thickness lever to the right.


This widens a gap between the print head and the paper. If the paper is scratched even when printing on plain paper, also try this. When the message suggesting that the position of the lever is not proper displayed, continue printing.

### ■ Reduce the Intensity setting in the printer driver and try printing again.

When printing an image with high intensity, especially on plain paper, the paper may absorb too much ink and become wavy. This may cause the printed surface to become scratched.



## Windows

- 1 Open the Printer Properties dialog box.  
 [Opening the Printer Properties Dialog Box](#)
- 2 On the **Main** tab, select **Manual** for **Colour Adjustment/Color Adjustment**, and then click **Set**.
- 3 Drag the **Intensity** slide bar to adjust the intensity.

## Macintosh

- 1 Open the Print dialog box.  
The Print dialog box can normally be opened by selecting **Print** in the **File** menu.
- 2 For **Print Mode**, select **Manual** and then click **Details**.
- 3 Click the **Colour/Color** icon and drag the **Intensity** slide bar to set the intensity.

■ **Ensure you are printing within the recommended printing area.**

 [Printing Area](#)

## White Streaks

---

### ■ Print the nozzle check pattern to check the ink output.

If a specific colour does not print in the nozzle check pattern, clean the print head.

➡ Printing the Nozzle Check Pattern

➡ Print Head Cleaning

## Colours are Uneven or Streaked

---

- Increase the print quality setting in the printer driver settings.

### Windows


- 1 Open the Printer Properties dialog box.  
 [Opening the Printer Properties Dialog Box](#)
- 2 On the **Main** tab, click **High** for the **Print Quality** setting.

### Macintosh

- 1 Open the Print dialog box.  
The Print dialog box can normally be opened by selecting **Print** in the **File** menu.
- 2 For **Print Mode**, select **Manual** and then click **Details**.
- 3 Click the **Quality** icon and then drag the **Print Quality** slide bar to the **Fine** end.

## ■ Set the halftoning method to Diffusion in the printer driver settings.

### Windows

- 1 Open the Printer Properties dialog box.  
 [Opening the Printer Properties Dialog Box](#)
- 2 On the **Main** tab, select **Custom** for the **Print Quality** setting, and click **Set**.
- 3 Click **Diffusion** for the **Halftoning** setting.

### Macintosh

- 1 Open the Print dialog box.  
The Print dialog box can normally be opened by selecting **Print** in the **File** menu.
- 2 For **Print Mode**, select **Manual** and then click **Details**.
- 3 Click the **Quality** icon and then click **Diffusion** for the **Halftoning** setting.

## Printer Does Not Start or Stops During Print Jobs

---

- Printing Does Not Start
- Printing Stops Before It is Completed
- Printer Moves But Does Not Print
- Cartridge Holder Does Not Move

## Printing Does Not Start

---

### ■ Ensure the printer is turned on.

Check to see if the printer is plugged into the power outlet securely.

**Note** ➤ When printing a large amount of data such as a photo or graphics, it takes longer than usual to begin printing. Simply wait until the processing is completed.

### ■ Ensure the printer is securely connected to the computer.

**Note** ➤ If you are using a switch box or other device, remove and reconnect the printer directly to the computer. Try printing again. If printing is now successful, there may be a problem with the device. Also there could be a problem with the cable(s). Replace the cable(s) and try printing again.

## ■ Ensure the correct printer driver is selected.

In Windows, ensure that **Canon S200** is selected in the **Print** dialog box.

In Macintosh, ensure that **S200** is selected in the **Chooser**.

**Note** ➤ In Windows, you can set the Canon S200 as the default printer.

## ■ Ensure the printer port is set correctly. Windows

Set “USBPRNn” or “USBnnn” (“n” represents a number) as the printer port.

1 Open the Printer Properties dialog box.

➡ [Opening the Printer Properties Dialog Box](#)

2 Click the **Details** tab (or **Ports** tab) and set the printer port.

## Printing Stops Before It is Completed

---

### ■ When the printer is processing a large amount of data.

When the printer is processing a large amount of data such as a photo or graphics, it takes a long time for the computer to process the data, during which the printer may appear not to be functioning.

In addition, when continuously printing material that uses a large amount of black ink on plain paper, the printer will sometimes pause. In either case, simply wait until the processing is completed.

### ■ Halt the print job and turn the printer off for at least 15 minutes to cool the print head down.

The print head can overheat when continuously printing for long time. To protect the print head, the printer will sometimes pause automatically at a line break before resuming. In this event, interrupt the print job at a convenient time and turn the printer off for at least 15 minutes.

Furthermore, when continuously printing graphics or photos with intense colours, printing may stop to protect the print head. In this case, printing will not resume. Turn the printer off and wait for at least 15 minutes.

**Caution** ➤ Inside the printer, the area around the print head can become extremely hot. Do not touch the print head or nearby components.



## Printer Moves But Does Not Print

---

### ■ Print the nozzle check pattern to ensure that ink is output correctly.

If the nozzle check pattern does not print correctly, clean the print head.

➡ [Printing the Nozzle Check Pattern](#)

➡ [Print Head Cleaning](#)

If the problem is not resolved by cleaning the print head several times, replace either of ink tanks. If print quality still remains poor, the print head may be worn out. Contact a Canon service facility.

## Cartridge Holder Does Not Move

---

### ■ Ensure the printer is turned on.

The cartridge holder will not move unless the power is on. Check to see if the printer is plugged into the power outlet securely. If not, close the front cover, and then plug the printer to the power outlet.

### ■ If the front cover has been left open for a while, close and reopen it.

If the front cover is left open for more than 10 minutes, the print head holder moves to the right to prevent the print head from drying out. Close and reopen the front cover to return the holder.

## Paper Does Not Feed Properly or Paper Jams

---

- Paper Does Not Feed Properly
- Paper Jams

## Paper Does Not Feed Properly

---

### ■ Confirm the paper conditions.

- The paper is not too thick (less than 105g/m<sup>2</sup> / 28 lb).
- The number of sheets loaded does not exceed the recommended level.
- The paper is not creased, curled or wrinkled.

 [Compatible Media Types](#)

### ■ Ensure that the left edge of the paper just touches the paper guide.

### ■ When printing envelopes, see “[Envelopes](#)” in “[Printing Media](#),” and prepare the envelopes before printing.

Once you have prepared the envelopes, load them in the printer in landscape orientation. If the envelopes are placed in portrait orientation, they may not feed properly.

### ■ When using transparencies, load one sheet of plain paper in the printer first, and then place the transparencies on top of it.

The last transparency may not feed properly unless there is a sheet of plain paper beneath it.

## Paper Jams

---

Remove the paper according to the following procedure.

- 1 Slowly pull the paper out, either from the sheet feeder or from the paper output slot, whichever is easier.

If the paper tears and a piece remains inside the printer, open the front cover and remove it.

If you cannot pull the paper out, plug the printer off and plug it back on. The paper will be ejected automatically.

- 2 After removing all paper, close the front cover.

**Note** ➤ When reloading the paper into the printer, refer to “[Paper Does Not Feed Properly](#)” to confirm that you are using the correct paper and are loading it into the printer correctly.

## An Error Message is Displayed on the Screen

---

- Error Writing to USBxxx Windows
- Application Error or General Protection Fault Windows
- Other Error Messages Windows
- Other Error Messages Macintosh

## Error Writing to USBxxx

Windows

### ■ Ensure the printer is turned on.

The cartridge holder will not move unless the power is on. Check to see if the printer is plugged into the power outlet securely. If not, close the front cover, and then plug the printer to the power outlet.

### ■ Ensure the printer is securely connected to the computer.

**Note** ➤ If you are using a switch box or other devices, remove and reconnect the printer directly to the computer and try printing again. If printing is now successful, there may be a problem with the device. Also there could be a problem with the cable(s). Replace the cable(s) and try printing again.

### ■ If spooling is enabled, disable it to send the print data directly to the printer and try printing again.

1 Open the Printer Properties dialog box.

➡ [Opening the Printer Properties Dialog Box](#)

2 On the **Details** tab, click **Spool Settings** and then select **Print directly to the printer**.

In Windows XP/Windows 2000, click the **Advanced** tab and then click **Print directly to the printer**.

## ■ Verify the USB port status.

- 1** Right-click **My Computer** and select **Properties**.  
In Windows XP, click the **Start** button, then right-click **My Computer** and select **Properties**.
- 2** On the **Device Manager** tab, double-click **Universal serial bus controller**, and then double-click **Canon S200**.  
In Windows XP/Windows 2000, click **Device Manager...** on the **Hardware** tab, double-click **Universal serial Bus controller**, and then double-click **USB Printing Support**.
- 3** On the **General** tab, check if there is any indication of a problem with the device.  
In Windows XP, open the **USB Printing Support Properties** dialog box to see the **General** tab.

If an error has occurred, follow the instruction of “Notes on Handling the USB Interface (for Windows Users)” in the *Quick Start Guide*.



■ **Ensure that the printer port setting corresponds to the printer interface connection.**

1 Open the Printer Properties dialog box.

➡ [Opening the Printer Properties Dialog Box](#)

2 On the **Details** tab (or **Ports** tab), select **USBPRNnn (Canon S200)** or **USBnnn (Canon S200)** (“n” represents a number) in the **Print to the following port**.

■ **There may be a problem in the printer driver. Uninstall the printer driver and reinstall it.**

➡ [Uninstalling Printer Drivers](#)

Also refer to the procedure “Notes on Handling the USB Interface (for Windows Users)” in the *Quick Start Guide*.

## Application Error or General Protection Fault

---

Windows

- **Ensure the application program you are using is intended for your operating system.**

For example, if you attempt to print with a Windows 3.1 application under Windows 98, the application may not function correctly and an error may occur. Use an application program intended for your operating system.

- **If other applications are running, close them to increase available memory and try printing again.**

- **Ensure that enough memory is allocated to the application.**

Refer to the memory requirements of your application.

**■ Check the amount of free space on the hard disk.**

You may need to increase the amount of free space by deleting any unnecessary files.

**■ If the problem only occurs when printing a specific document, try editing the document and then printing it.**

If this resolves the problem, there may have been a problem in the original document. If the same problem occurs with the edited document, contact the manufacturer of your application.

**■ There may be a problem in the printer driver. Uninstall the printer driver and reinstall it.**

Also refer to the procedure “Notes on Handling the USB Interface (for Windows Users)” in the *Quick Start Guide*.

 [Uninstalling Printer Drivers](#)

## Other Error Messages

---

Windows

### ■ If the BJ Status Monitor is displayed, follow the instructions on screen.

If an error occurs during printing, the BJ Status Monitor displays the error on the **Printer Status** tab. Follow the instructions on screen.

In Windows Me or Windows 98, click the **Guide** tab for action to be taken in response to the error.

Refer to '[Low Ink Warning Displays Ink Tank with '?'](#)' as it is in the case.

■ **If one of the following messages is displayed outside of the BJ Status Monitor:**

**Could not spool successfully due to insufficient disk space**

Increase the amount of free space on the disk by deleting any unnecessary files.

**Could not spool successfully due to insufficient memory**

Increase available memory by closing any other applications currently running.

**Printer driver could not be found**

Uninstall the printer driver and reinstall it.

 [Uninstalling Printer Drivers](#)

**Background printing failed (Windows Me/Windows 98 only)**

Restart Windows and try printing again.

**Could not print Application name – File name**

Try printing again once the current job is finished.

## Other Error Messages

Macintosh

- If a message with the format “Error No.: Xn” (where “X” represents a letter and “n” represents a number) is displayed:

### Error No.: X202

Not enough memory for printing. Increase available memory by closing any other applications currently running.

### Error No.: X203

There is a problem with the printer driver. Uninstall the printer driver and reinstall it.

 [Uninstalling Printer Drivers](#)

### Error No.: X300

Ensure the power is on, and that the printer and the computer are securely connected. If the problem remains, verify the Chooser setting.

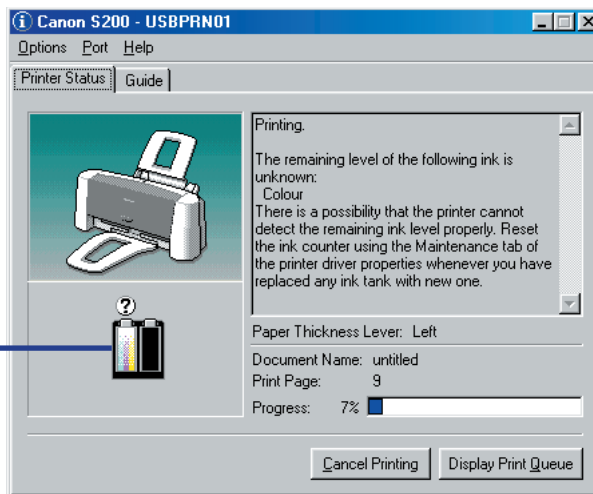
- 1 In the Apple menu, select **Chooser**.
- 2 Click the S200 icon and ensure S200 is selected as the connected destination.

If it is not selected, select it.

If the problem remains, delete all unnecessary documents from the Extensions and Control Panels folder.

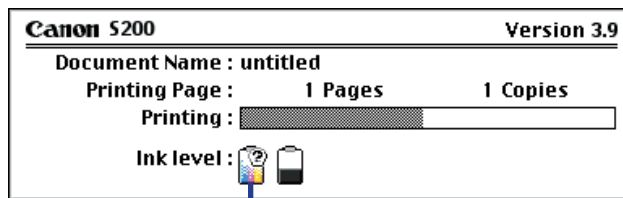
## Low Ink Warning Displays Ink Tank with '?'

The ink level of an ink tank displayed with a '?' is not synchronised with its ink counter.



The colour ink level may not be correctly displayed.

BJ Status Monitor (Windows)



The colour ink level may not be correctly displayed.

BJ Status Dialog (Macintosh)

## Macintosh

**Note** ▶ When the background printing is enabled, the low ink warning displays on the BJ Print Monitor (Macintosh).

➡ [BJ Print Monitor](#)

■ **Reset the ink counter from the printer driver when you replace the ink tank.**

➡ [Resetting Ink Counter](#)

■ **Turn the low ink warning off until you replace the ink tank to stop the warning message.**

## Windows

1 Ensure the printer is on and open the Printer Properties dialog box.

➡ [Opening the Printer Properties Dialog Box](#)

2 On the **Maintenance** tab, click the **Low Ink Warning Setting** icon.

3 Clear a check box of **Display low ink warning** off and click **Send**.



## Macintosh

- 1 Ensure the printer is on and open the Page Setup dialog box.  
The Page Setup dialog box can normally be opened by selecting **Page Setup...** in the **File** menu.
- 2 Click the **Utilities** icon to open the Printer Utilities dialog box.
- 3 Select **Remaining ink level setting** from the pull-down menu and click the **Low Ink Warning Setting** icon.
- 4 Clear a check box of **Display low ink warning** off and click **Send**.

**Note** ➤ Also refer to '[Enabling Low Ink Warning](#)' to display the ink level correctly.

## Problems Unique to Windows

---

- The BJ Status Monitor is Not Displayed
- Cannot Print in Background (Windows Me/Windows 98 only)

## The BJ Status Monitor is Not Displayed

---

### ■ Ensure “Enable bi-directional support for this printer” is selected.

1 Open the Printer Properties dialog box.

➡ Opening the Printer Properties Dialog Box

2 On the **Details** tab, click **Spool Settings** and select “Enable bidirectional support for this printer.”

In Windows XP/Windows 2000, select “Enable bidirectional support” on the **Ports** tab.

**Note** ➤ Windows XP displays the BJ Status Monitor, and the message that asks you to set “Enable bi-directional support” to **ON**.

## Cannot Print in Background (Windows Me/Windows 98 only)

---

### ■ Check the amount of free space on the hard disk.


Background printing requires a certain amount of disk space. You may need to delete unnecessary files, or disable background printing.

### ■ Ensure that background printing is enabled.

1 Open the Printer Properties dialog box.

 [Opening the Printer Properties Dialog Box](#)

2 On the **Page Setup** tab, click **Printer control...** and select **Background Printing**.

**Note**  Windows XP/Windows 2000 does not support background printing.

## Problems Unique to the Macintosh

---

- Jagged Text or Graphics, or Banded Gradations
- Cannot Print in Background

## Jagged Text or Graphics, or Banded Gradations

---

### ■ **Ensure your application supports Quick Draw.**

If you are using a PostScript-compatible application, printed text and lines may appear jagged and gradations may appear banded. As S200 is not a PostScript printer but a Quick Draw printer, use an application compatible with Quick Draw for printing.

## Cannot Print in Background

---

### ■ Ensure background printing is enabled.

- 1 In the Apple menu, select **Chooser**.
- 2 Click **Backgrounding** on.

### ■ Check the amount of free space on the hard disk.

Background printing requires a certain amount of disk space. You may need to remove unnecessary files, or disable background printing.

# Appendices

- Deleting an Unknown Device

Windows



## Deleting an Unknown Device

Windows

If printer driver installation was not successful, carry out the procedure described in “Notes on Handling the USB interface (for Windows Users)” in the *Quick Start Guide*.

If the problem remains, follow the steps below to delete the unknown device.

- 1 Click the **Start** button, select **Settings** and click **Control Panel**. Double-click **System**.

In Windows XP, click **My Computer** with the right button to display the system properties.

- 2 Click the **Device Manager** tab.

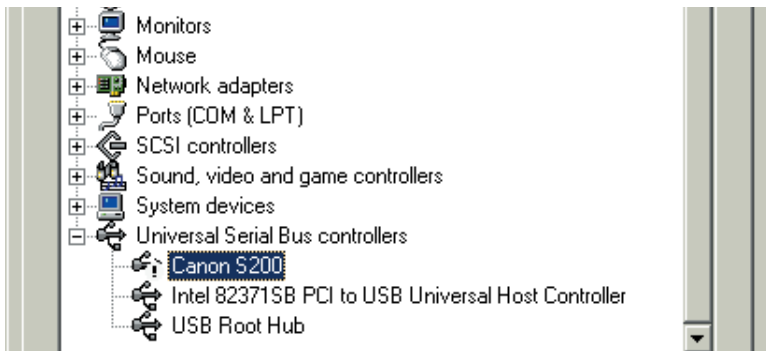
In Windows XP/Windows 2000, click the **Hardware** tab, then click **Device Manager...**

- 3 Select the name of the printer or ‘Unknown device’ and click **Remove**.

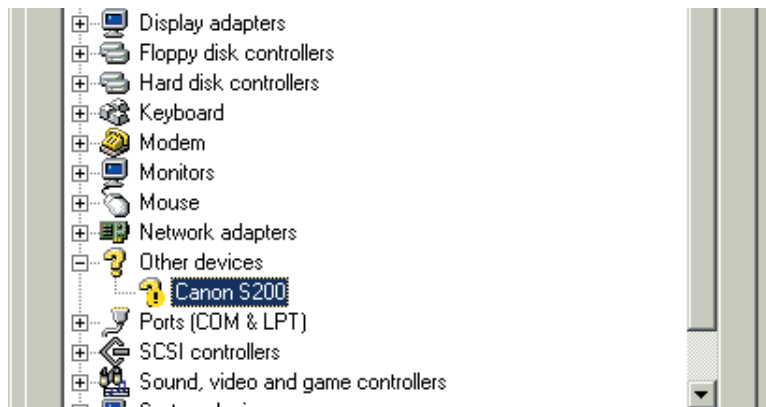
In Windows XP/Windows 2000, click the unknown device, then click **Uninstall** in the **Action** menu.



**Caution** ➤ Be careful not to remove any other device. Windows may not function properly if another device is incorrectly deleted.

- If the unknown device is under **Universal serial bus controller**



- If the unknown device is under **Other devices**



- 4 When the confirmation message appears, click **OK**.
- 5 Click **Close** to close the **System Properties** window.  
In Windows XP/Windows 2000, click  and then click **OK** in the **System Properties** window.
- 6 Click  at the top right of the **Control Panel** window to close it.
- 7 Turn the printer off.
- 8 Remove the *Setup Software & User's Guide CD-ROM*, if it is in the drive.
- 9 Restart Windows.
- 10 Install the printer driver again following the instructions in the *Quick Start Guide*.

# Specifications



## Printing method:

Bubble Jet on-demand

## Printing resolution:

2880 (horizontal) × 720 (vertical) dpi.\* max.

\* Ink droplets can be placed with a pitch of 1/2880 inch at minimum.

## Print speed (printing with Canon standard pattern):

Black printing	Draft:	5.0 ppm
	Standard:	3.8 ppm
Colour printing	Draft:	3.0 ppm
	Standard:	1.6 ppm

## Print direction:

Bi-directional

## Print width:

203.2 mm max. (8.0 in)

## Resident print control mode:

Canon extended mode

Receive buffer:

64 KB

Interface:

USB -compatible

Interface connector:

USB standard Series B receptacle (USB interface)

Recommended printer cable:

Material: AWG28 (data wiring pair) or AWG20 to 28 (distribution pair)

Type: Twisted-pair shielded cable

Length: Up to 5.0 m (16.4 ft)

Connectors: USB standard Series B pluggable

Acoustic noise level:

Approx. 43 dB (A) in the best print quality mode

Operating environment:

Temperature: 5 to 35°C (41 to 95°F)

Humidity: 10 to 90%RH (no condensation)

Storage environment:

Temperature: 0 to 40°C (32 to 95°F)

Humidity: 5 to 90% RH (no condensation)

Power supply:

Europe	AC 230 V $\pm$ 10%, 50 Hz
USA/Canada	AC 120-127 V, 60 Hz
Australia	AC 240 V, 50 Hz

Power consumption:

Standby:	Approx. 2 W
Printing:	Approx. 18 W

Even though you do not use the printer, it consumes a little power unless you unplug it. To prevent such power consumption, disconnect the power plug from the power outlet.

Dimensions (without a paper rest and paper output tray):

390 (W)  $\times$  189 (D)  $\times$  162 mm (H)  
15.35 (W)  $\times$  7.44 (D)  $\times$  6.38 in (H)

Weight:

Approx. 2.4 kg (5.28 lb.)

## ■ Feed method:

Continuous feed through auto sheet feeder

For Plain Paper, Envelopes, High Resolution Paper, Glossy Photo Paper, High Gloss Photo Film, Glossy Photo Cards, Photo Paper Pro, Transparencies, T-shirt Transfers, Banner Paper

## ■ Sheet feeder capacity:

Plain Paper (75 gsm)	50 sheets max.
High Resolution Paper	40 sheets max.
Envelopes	5 pieces max.
Glossy Photo Paper	1 sheet
High Gloss Photo Film	1 sheet
Glossy Photo Cards	1 sheet
Photo Paper Pro PR-101	1 sheet
Photo Paper Pro PC-101S	1 sheet
Transparencies	20 sheets max.
T-Shirt Transfers	1 sheet
Banner Paper	6 sheets max.

## ■ Ordinary print media:

Regular size: A4, A5, B5, Letter, Legal, European DL, US Com.#10

Custom size: width: 100.0 to 241.3 mm (3.94 to 9.5 in)\*  
 height: 100.0 to 584.2mm (3.94 to 23.0 in)\*  
 \*except Banner Paper.

Weight: 64 to 105 g/m<sup>2</sup> (17 to 28 lb)

### Canon Special media:

High Resolution Paper	HR-101N
Glossy Photo Paper	GP-301N/GP-301
High Gloss Photo Film	HG-201
Glossy Photo Cards	FM-101
Photo Paper Pro	PR-101
Photo Paper Pro	PC-101S
Transparencies	CF-102
T-Shirt Transfers	TR-201
Banner Paper	



## ■ Graphic image printing:

Data format: Canon extended mode: Raster image format

Resolution: Canon extended mode: 360, 720, 2880 dpi

## ■ Print Head:

Black: 64 nozzles (360 dpi)

Cyan, Magenta, Yellow: 24 nozzles per each colour (360 dpi)

## ■ Ink Tanks:

Capacity:

Black (BCI-24 Black) approx. 340<sup>\*1</sup>, approx. 520<sup>\*2</sup>

Colour (BCI-24 Color) approx. 130<sup>\*2</sup>

\*1 1500 characters per page, normal text, at standard and plain paper mode with Windows Me/Windows 98

\*2 Based on printing the ISO JIS-SCID No.5 pattern at standard and plain paper mode with Windows 98/Windows Me

## ■ Printer driver operating environment:

IBM PC/AT-compatible computer running on Windows XP, Windows Me, Windows 2000, Windows 98 or Macintosh computers with USB interface running on Mac OS 8.6 - Mac OS 9.X

## ■ Hard disk space:

Approx. 15 MB to install on Windows Me and Windows 98, 30 MB on Mac OS, or approx. 25 MB to install on Windows XP and Windows 2000 (including temporary files)

### Note



- BJ Status Monitor cannot be used when printer is used in network operating environment.
- Use the system under the following operating environment.

#### Windows

Computer with Microsoft Windows Me or Windows 98, which is preinstalled by a computer manufacturer on purchase. (USB port operation also needs to be assured by the manufacturer.)

#### Macintosh

Macintosh computers with USB and Mac OS 8.6 - Mac OS 9.X, which is preinstalled by a computer manufacturer on purchase.


Specifications subject to change without prior notice.

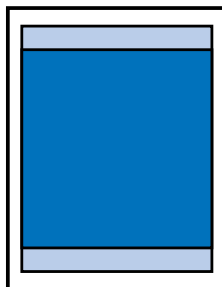
## ■ Printing Area

To ensure the best print quality, the printer allows a margin along each edge of media.

Printing area (dark blue): Canon recommends that you print within this area.



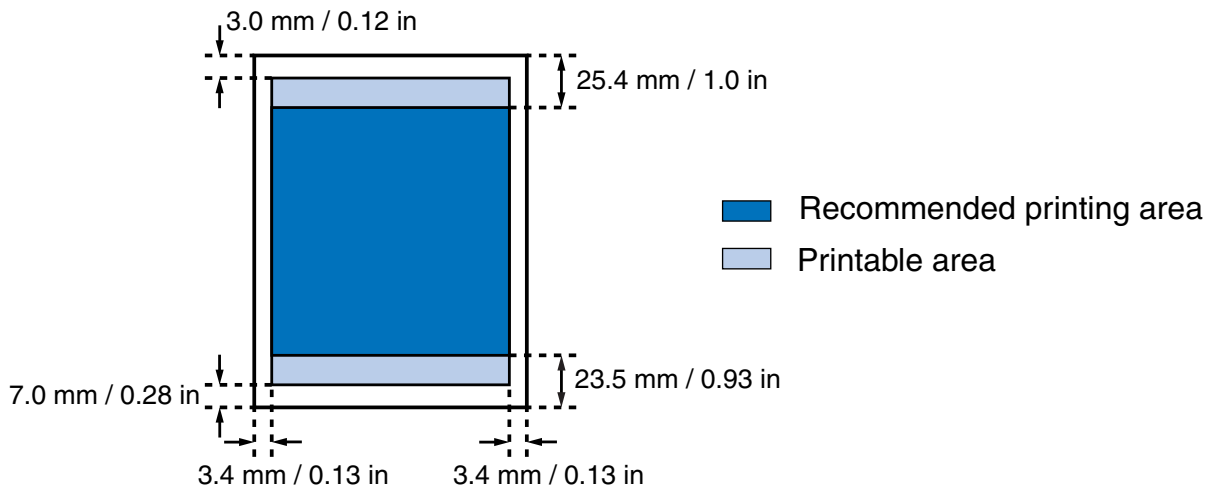
Printable area (light blue): The area where it is possible to print. However, printing in this area can adversely affect the print quality or the paper feed precision. (  )



- ➡ A4, B5, A5
- ➡ Letter, Legal
- ➡ Glossy Photo Cards
- ➡ Photo Paper Pro (PC-101S)
- ➡ Envelopes
- ➡ Banner Paper

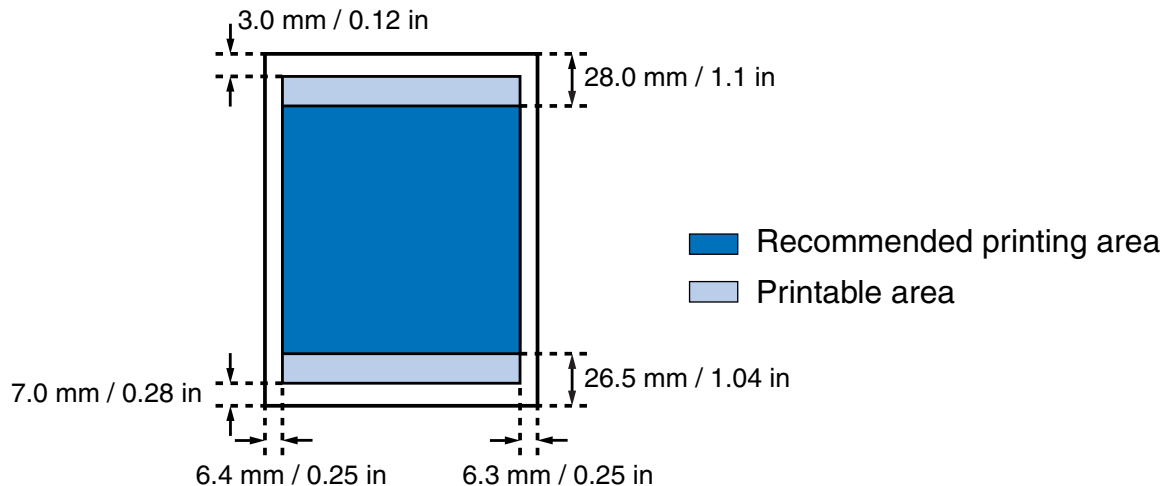
## A4, B5, A5

Size	Printable Area (width x height)
A4	203.2 × 287.0 mm / 8.0 × 11.3 in
B5	175.2 × 247.0 mm / 6.9 × 9.8 in
A5	141.2 × 200.0 mm / 5.6 × 7.9 in



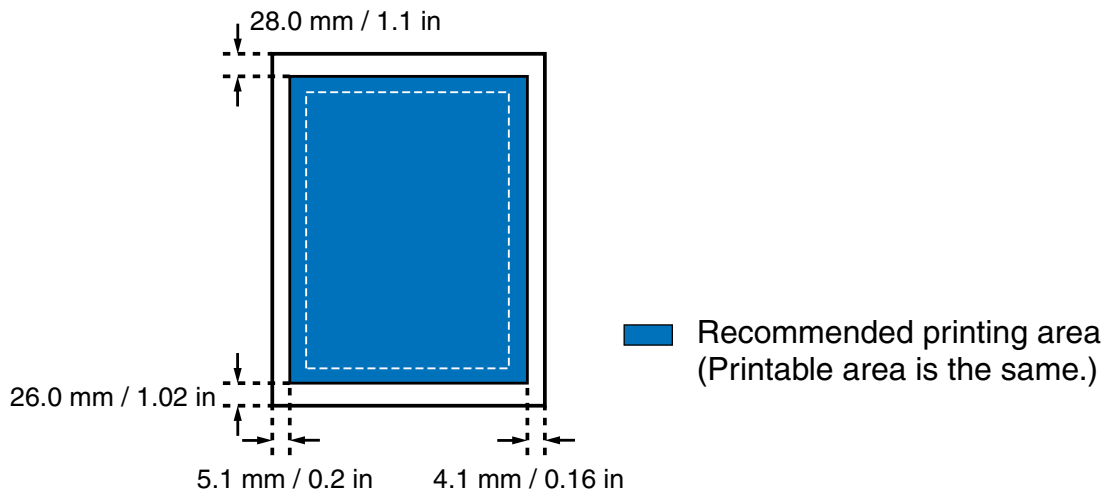
**Letter, Legal**

Size	Printable Area (width x height)
Letter	203.2 × 269.4 mm / 8.0 × 10.6 in
Legal	203.2 × 345.6 mm / 8.0 × 13.7 in



## Glossy Photo Cards

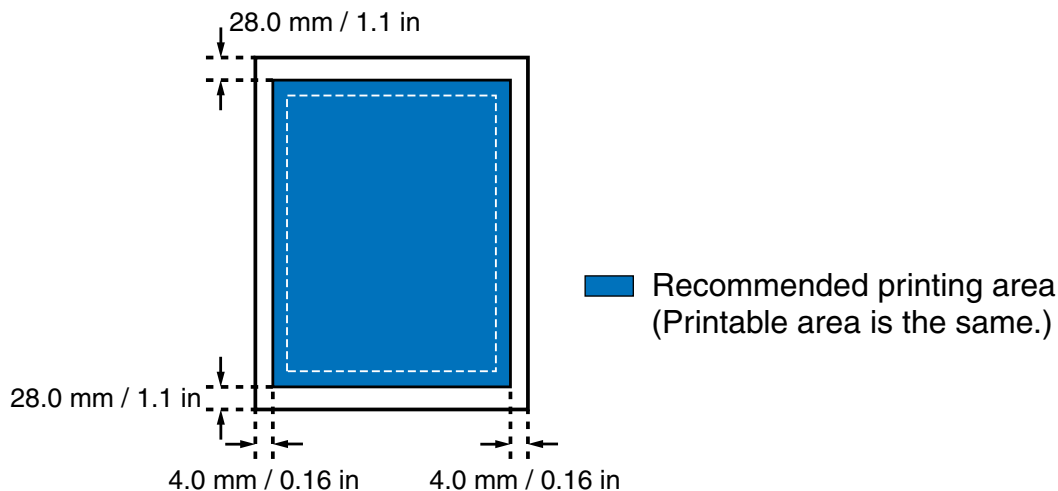
Size	Printable Area (width x height)
Glossy Photo Card	109.4 × 159.9 mm / 4.3 × 6.3 in



## Photo Paper Pro (PC-101S)

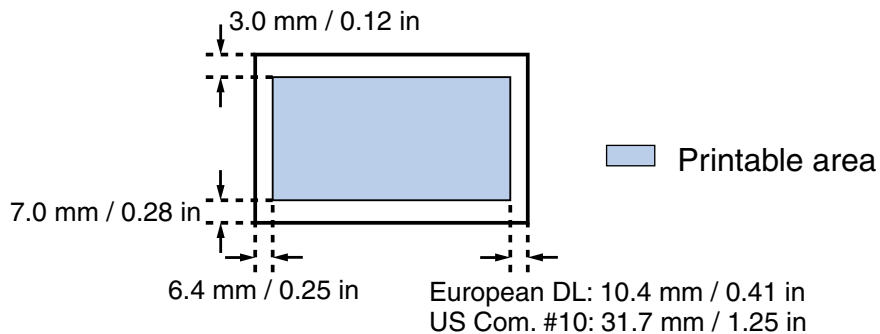
Size	Printable Area (width x height)
Photo Paper Pro PC-101S	109.6 × 160.4 mm / 4.3 × 6.3 in

**Note** ➤ The printing area of Photo Paper Pro PR-101 is identical to that of A4 size paper. For details, refer to "A4, B5, A5".



## Envelopes

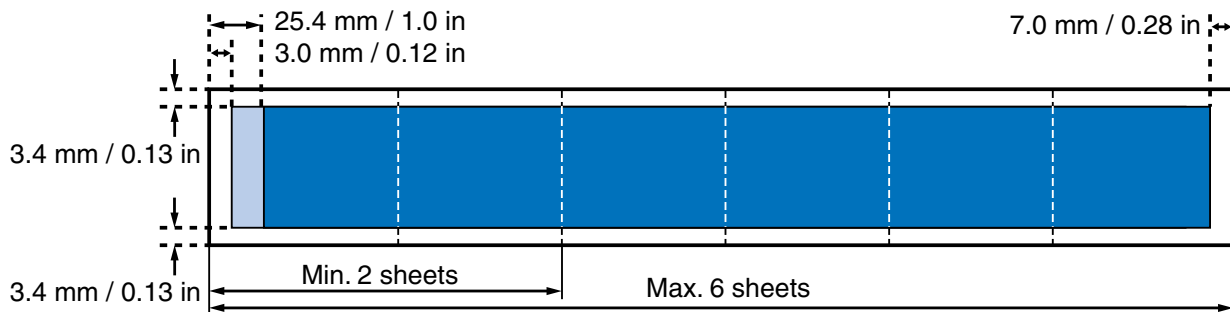
Size	Printable Area (width x height)
European DL	203.2 × 100.0 mm / 8.0 × 3.9 in
US Com. #10	203.2 × 94.8 mm / 8.0 × 3.7 in





## Banner Paper

Size	Printable Area (width x height)
Banner Paper	A4: 203.2 × 1772.0 mm / 8.0 × 69.8 in
	Letter: 203.2 × 1666.4 mm / 8.0 × 65.6 in



Recommended printing area

Printable area

# Index



## A

Application Error 162

## B

Background printing (Macintosh) 61  
 Background printing (Windows) 172  
 Banner Paper 126  
 BCI-24 Black 72  
 BCI-24 Color 72  
 BJ Print Monitor (Macintosh) 61  
 BJ Status Dialog (Macintosh) 92, 167  
 BJ Status Monitor (Macintosh) 68  
 BJ Status Monitor (Windows) 37, 92, 164, 167, 171  
 Booklet Printing 27

## C

Cancelling a Print Job (Macintosh) 63  
 Cancelling a Print Job (Windows) 40  
 Chooser (Macintosh) 61  
 Cleaning 35, 47, 81  
 Client (Macintosh) 66  
 Compatible Media Types 104

**D**

Deep Cleaning	35, 83
Deleting an Unknown Device (USB interface)	177
Duplex Printing	27

**E**

Enabling Low Ink Warning	91
Envelopes	106
Error Message	158, 164, 166

**F**

Front cover	16, 154
-------------	---------

**G**

Gamma Correction (Macintosh)	56
General Protection Fault	162
Glossy Photo Cards FM-101	116
Glossy Photo Paper GP-301N/GP-301	112

**H**

High Gloss Photo Film HG-201	114
High Resolution Paper HR-101N	110

**I**

Ink Counter Reset	36, 95
Ink Dry-Up Time	97
Ink Tank	71, 72

**L**

Low Ink Warning	36, 91
Low Ink Warning Displays Ink Tank with '?'	167

**M**

Media Type (Macintosh)	49
Media Type (Windows)	24

**N**

Network (Macintosh)	65
Nozzle Check Pattern	80

**O**

Opening the Printer Properties Dialog Box (Windows)	21
---	----

**P**

[Page Setup] Dialog Box (Macintosh)	45
Page Size (Windows)	26
Paper Jams	157
Paper Output Tray	16
Paper Rest	16
Paper Size (Macintosh)	45
Paper Thickness Lever	18
Photo Optimizer PRO (Macintosh)	54
Photo Optimizer PRO (Windows)	32
Photo Paper Pro PC-101S	120
Photo Paper Pro PR-101	118
PICT File (Macintosh)	58

[Print] Dialog Box (Macintosh)	49
Print Head Lock Lever	18
Print Mode (Macintosh)	49
Print server (Macintosh)	65
Printable area	187
Printer Driver (Macintosh)	43
Printer Driver (Windows)	20
Printer port	161
Printer Properties Dialog Box (Windows)	21, 23
Printing Area	187
Printing the Nozzle Check Pattern	77

## R

Replacing an Ink Tank	72
Resetting Ink Counter	95
RESUME/CANCEL Button	16

## S

Sheet Feeder	16
Simulate illustration (Macintosh)	53
Simulate Illustration (Windows)	31
Specifications	180

## T

Transparencies CF-102	122
Transporting the Printer	99
T-Shirt Transfers TR-201 (TR-101)	124

**U**

Uninstalling Printer Drivers (Macintosh)	69
Uninstalling Printer Drivers (Windows)	42
USB interface	177
USB Port	17, 160

**V**

Vivid Photo	32
-------------	----

**W**

When to Replace Ink Tank and Maintain Print Head	71
--	----