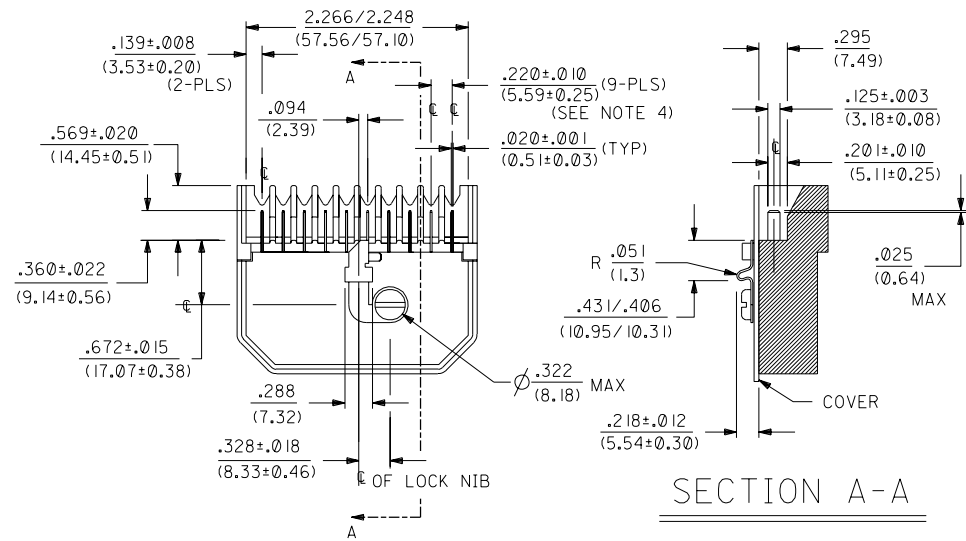
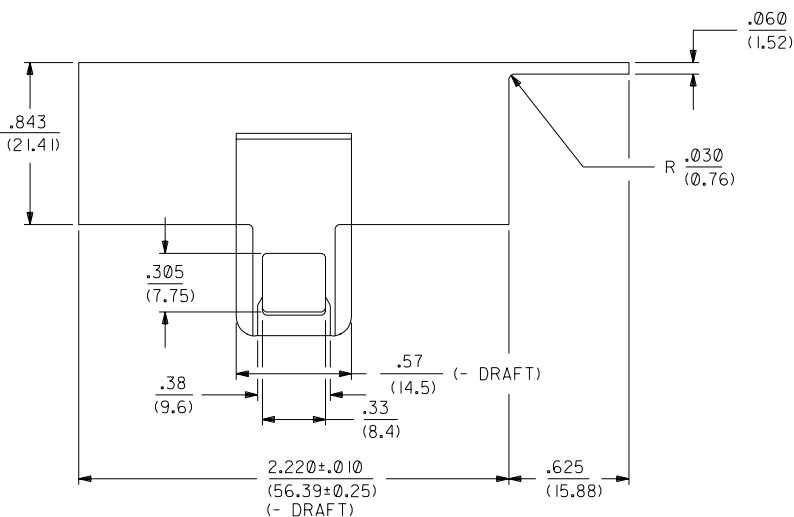
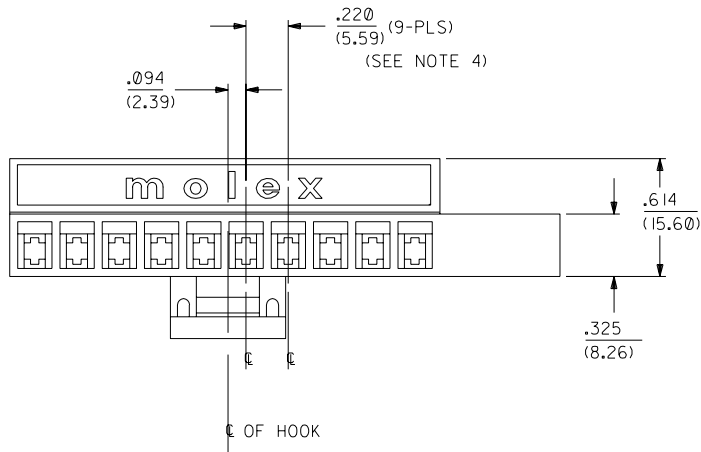


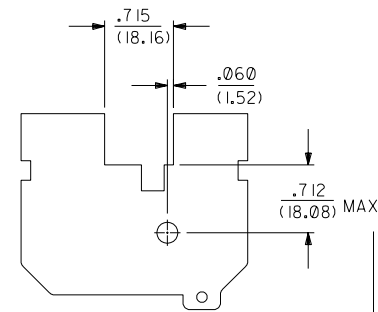
NOTES

1. THIS HOUSING IS FOR USE WITH TERMINALS:
- ENG. NO. 1508-0009.
2. UNLESS OTHERWISE SPECIFIED, ALL RADII TO BE
.025/(0.64).
3. MATERIAL : NYLON 6/6,94V-2. COLOR : NATURAL
(WHITE/TRANSLUCENT).
4. TOLERANCE IS NOT CUMMLATIVE.
5. PRODUCT SPECIFICATION PS-6313-0001 APPLIES.



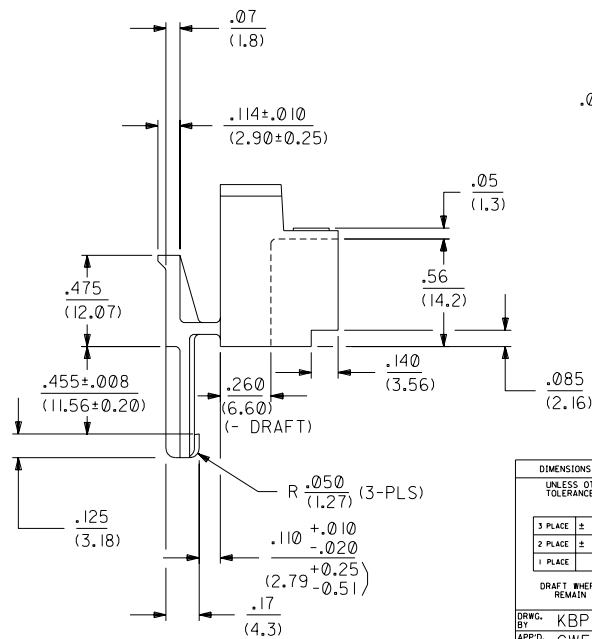
MOTOR SWITCH

SCALE 1:1



COVER

.050±.003/(1.27±0.08) THICK



F2	REVISED PER ECN UCR2001-0698 SOMMER 01/01/26
F1	REVISED PER ECN U80257 PEARSON 97/07/02
F	REVISED PER ECN UT1288 PEARSON 97/04/24
E	REVISED PER ECN U30186 93/02/05 MAB
D	REVISED PER ECN U21564 92/10/22 MAB
C	REVISED PER ECN U00690 90/09/13 TRM
B	REVISED PER ECN U00231 90/2/28 <i>OK</i>
A	RELEASED PER ERO 28632 89/7/21 COMSTOCK
2	REDRAWN PER ERO 28487 89/06/02 KBP

DIMENSIONS SHOWN (METRIC) INCH UNLESS OTHERWISE SPECIFIED TOLERANCES: ANGULAR ± 1/2°		▽ = 0 ▽ = 0 REVISIONS ONLY ON CAD SYSTEM													
<table border="1"> <tr> <th></th> <th>INCH</th> <th>METRIC</th> </tr> <tr> <td>3 PLACE</td> <td>± .010</td> <td>---</td> </tr> <tr> <td>2 PLACE</td> <td>± .014</td> <td>± 0.25</td> </tr> <tr> <td>1 PLACE</td> <td>---</td> <td>± 0.35</td> </tr> </table>			INCH	METRIC	3 PLACE	± .010	---	2 PLACE	± .014	± 0.25	1 PLACE	---	± 0.35	TITLE HOUSING, CONNECTOR FOR MOTOR SWITCH APPLICATION	
	INCH	METRIC													
3 PLACE	± .010	---													
2 PLACE	± .014	± 0.25													
1 PLACE	---	± 0.35													
DRAFT WHERE APPLICABLE MUST REMAIN WITHIN DIMENSIONS		MOLEX INCORPORATED SHEET NO. DATE LITSE, ILL. 60532 U.S.A. 1 OF 1 89/05/23													
DRWG. BY: KBP CHK'D BY: KBP		PART NO. DRWG. NO. 006-02-3103 SD-6313-1-10													
APPROV. BY: GWF SCALE: 2:1		FILE NAME: EHS6313D10 SIZE: 3/4"													
THIS DRAWING CONTAINS INFORMATION THAT IS PROPRIETARY TO MOLEX INC. AND SHOULD NOT BE USED WITHOUT WRITTEN PERMISSION.															